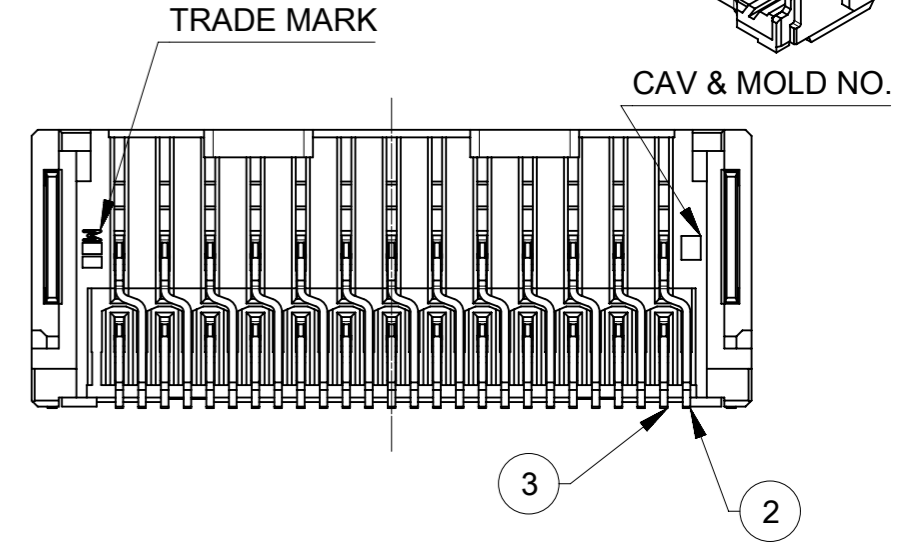
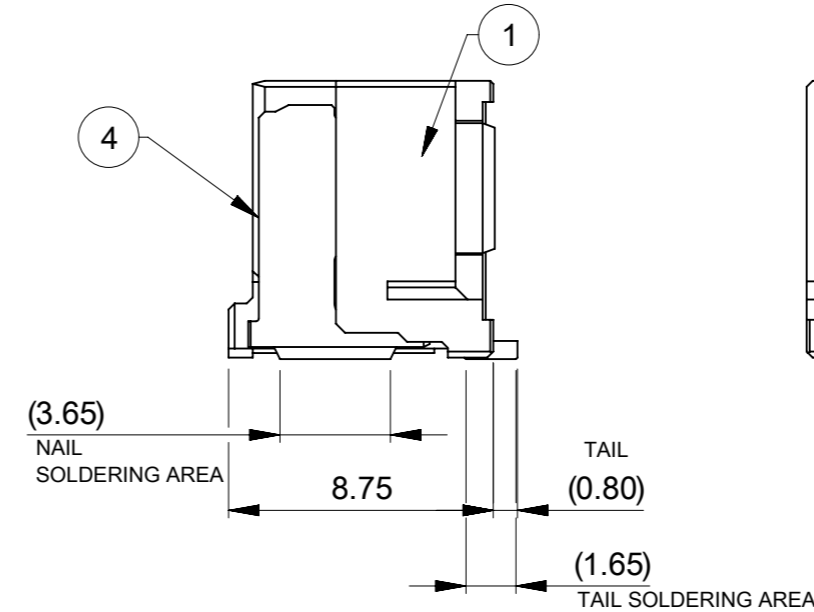
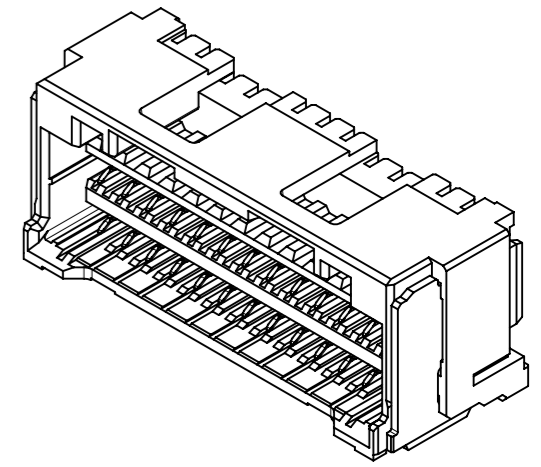


**NOTE**

- 端子テール部およびネイルの平坦度: 0.1mm MAX  
TAIL AND NAIL COPLANARITY TO BE 0.1mm MAX
- (極数/2) = 偶数 に適用  
APPLY FOR (CIRCUIT SIZE/2) = EVEN
- △ 関連製品・書類はSHEET 5を参照ください  
REFER TO SHEET 5 ABOUT RELATED PRODUCTS AND DOCUMENTS



△ 4. オーダー番号(製品番号): SHEET 6の製品一覧を参照のこと  
ORDER No. (PRODUCT No.) : REFER TO SHEET 6 FOR PRODUCT LIST.

**213228** \* \* \* \*

↑ シリーズ番号 SERIES NO  
↑ 極数 CIRCUIT SIZE  
↑ 色 COLOR  
↑ 金めっき厚 GOLD PLATING THICKNESS

CIRCUIT	No.	GOLD THK[μm]	No.	COLOR
08 ~ 26	1	0.1	0	ナチュラル NATURAL
	3	0.38	1	黒 BLACK
	7	0.76		

22.0	±0.25	18.0	23.8	26
20.5		16.5	22.3	24
19.0		15.0	20.8	22
17.5		13.5	19.3	20
16.0		12.0	17.8	18
14.5		10.5	16.3	16
13.0		9.0	14.8	14
11.5	7.5	13.3	12	
10.0	6.0	11.8	10	
8.5	±0.2	4.5	10.3	8
C		B	A	極数 CKT.NO.

番号 NO.	部品 PART	材質 MATERIAL	
①	ハウジング HOUSING	ポリアミド(PA) UL94V-0 色 : SEE CHART POLYAMIDE(PA) UL94V-0 COLOR : SEE CHART	
②	ターミナル TERMINAL	銅合金 COPPER ALLOY	
		コンタクト部 CONTACT AREA	金めっき : 製品一覧参照 GOLD PLATING : SEE PRODUCT LIST
		テール部 TAIL AREA	無光沢錫めっき : 1.0 micro-meter MIN MATTE TIN PLATING: 1.0 micro-meter MIN
③	下地めっき(全面) UNDER PLATING (WHOLE SURFACE)	ニッケルめっき : 2.0 micro-meters MIN NICKEL PLATING : 2.0 micro-meters MIN	
		黄銅 BRASS	
④	ネイル NAIL	無光沢錫めっき : 1.0 micro-meter MIN MATTE TIN PLATING	
		ニッケルめっき(下地) : 1.0 micro-meter MIN NICKEL PLATING(UNDER PLATING)	

THIS DRAWING CONTAINS INFORMATION THAT IS PROPRIETARY TO MOLEX ELECTRONIC TECHNOLOGIES, LLC AND SHOULD NOT BE USED WITHOUT WRITTEN PERMISSION

DIMENSION UNITS: mm SCALE: NTS

GENERAL TOLERANCES (UNLESS SPECIFIED):

ANGULAR TOL ± 3.0°

4 PLACES ± 0.2  
3 PLACES ± 0.2  
2 PLACES ± 0.2  
1 PLACE ± 0.2  
0 PLACES ± 0.2

DRAFT WHERE APPLICABLE MUST REMAIN WITHIN DIMENSIONS

THIRD ANGLE PROJECTION

DRAWING: A3-SIZE

SERIES: 213228

MATERIAL NUMBER: SEE CHART

CUSTOMER: GENERAL

SHEET NUMBER: 1 OF 6

EC NO: 680153  
DRWN: MIKEDA01 2021/10/05  
CHK'D: SAKIYAMA 2021/10/05  
APPR: KOMURAKAMI 2021/10/05

INITIAL REVISION:  
DRWN: MIKEDA01 2019/10/01  
APPR: KOMURAKAMI 2019/11/20

DOCUMENT NUMBER: 2132280000-SD

DOC TYPE: PSD

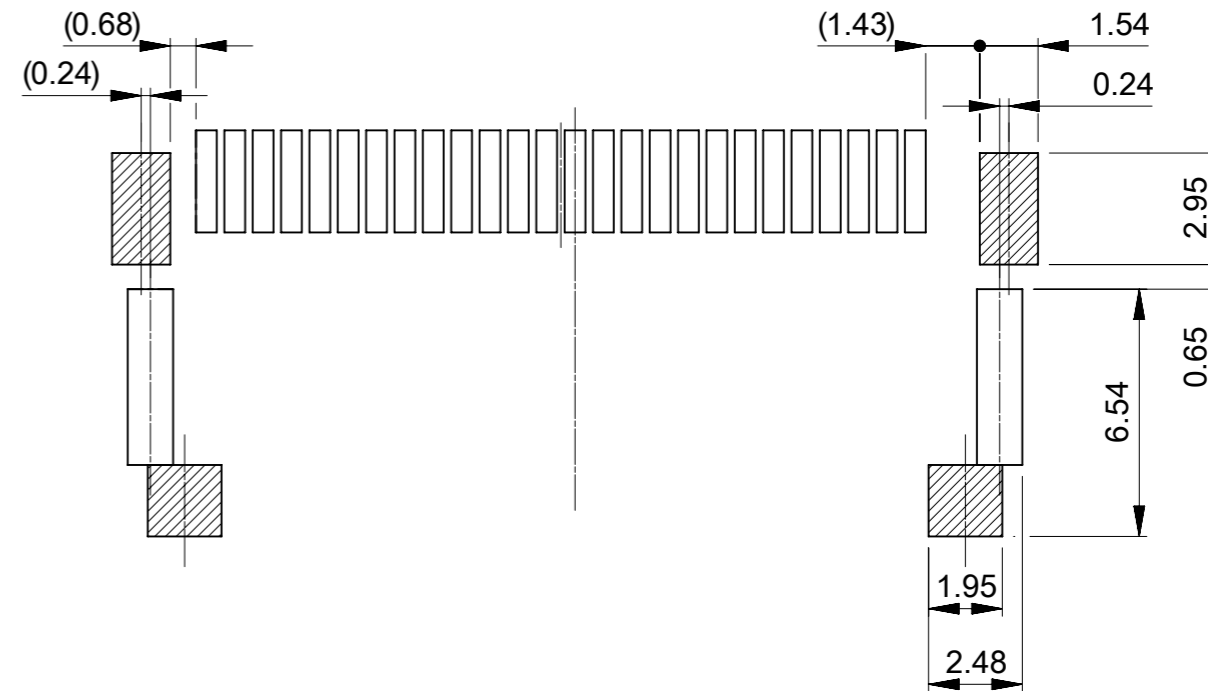
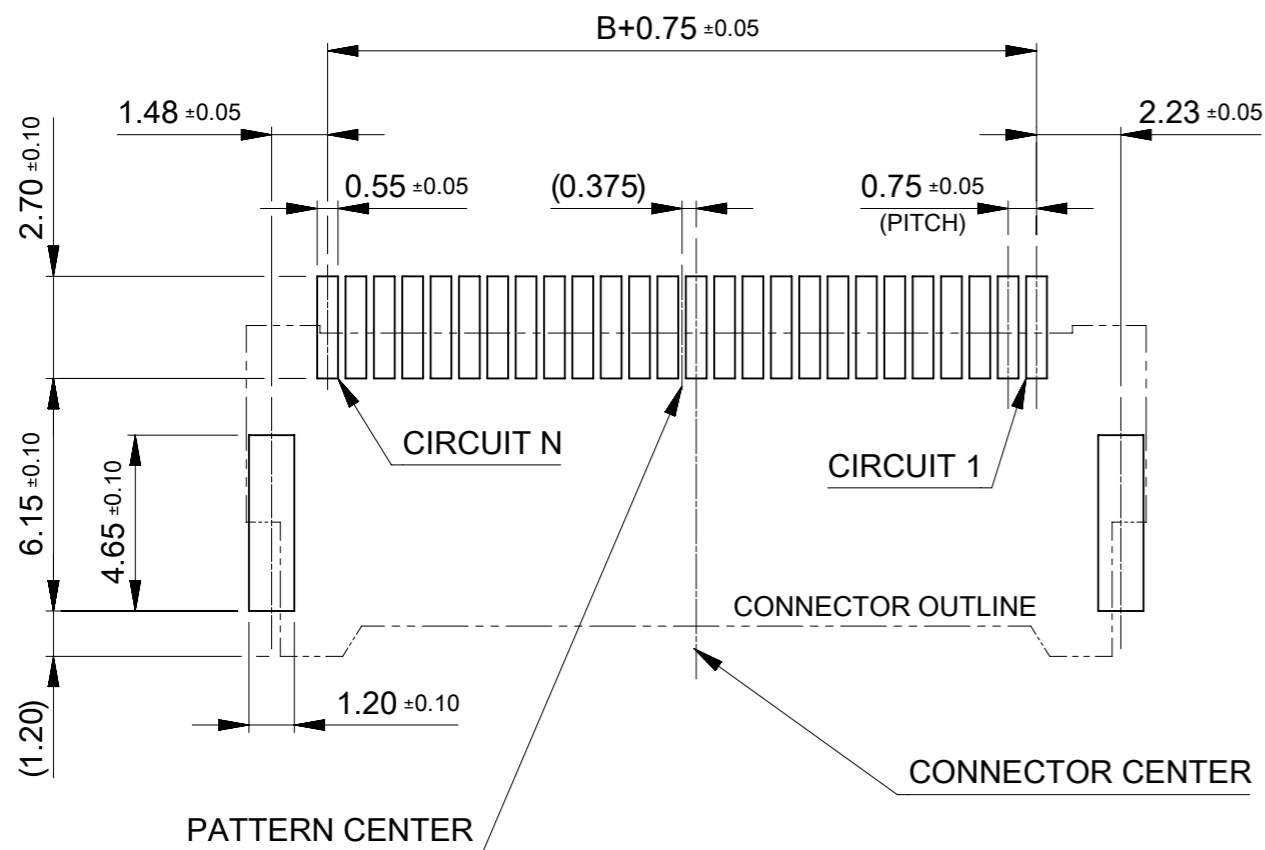
DOC PART: 000

REVISION: F

**molex**

CLIK-MATE 1.5  
DUAL ROW SMT R/A TYPE GOLD PLATING

PRODUCT CUSTOMER DRAWING



**基板パターンレイアウト(参考)**  
RECCOMENDED PCB PATTERN LAYOUT (REF)

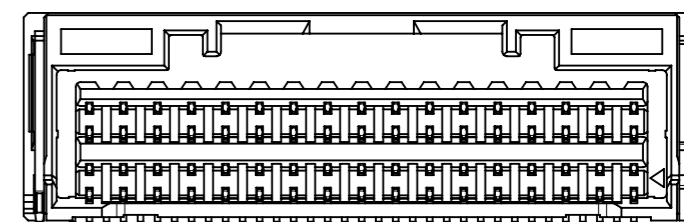
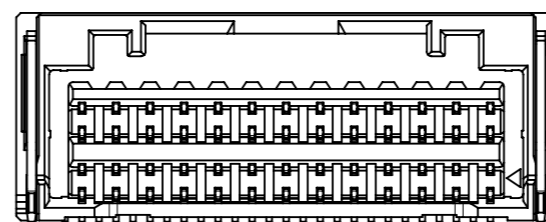
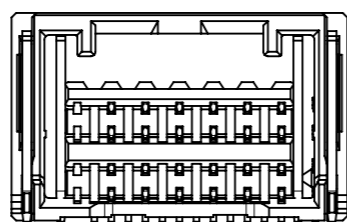
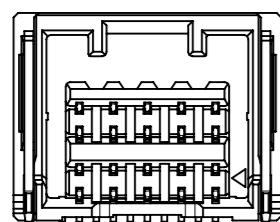
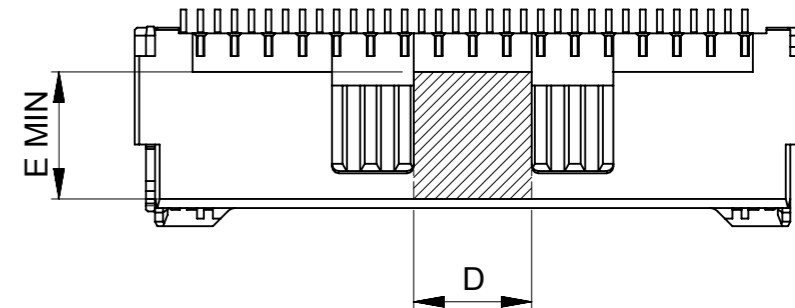
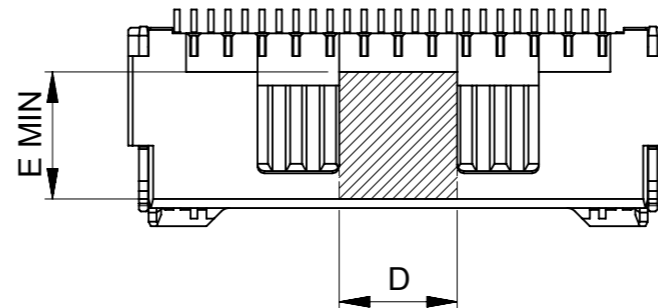
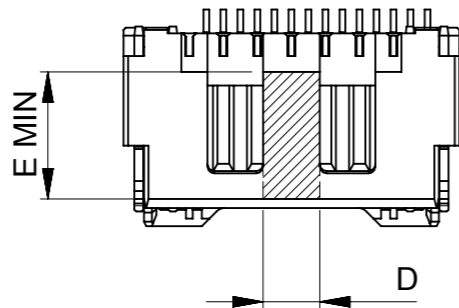
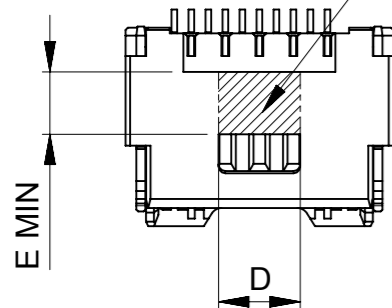
(参考 : メタルマスク厚さ 0.10mm, マスク開口率100%)  
(REFERENCE: METAL MASK THICKNESS 0.10MM, APERTURE RATIO 100%)

**パターン非推奨エリア**

パターンを引き回す際は、製品機能に影響がないことをご確認ください。  
PATTERN IS NOT RECCOMENDED ON THE HATCHED AREA.  
PLEASE CHECK NOT TO HAVE PROBLEM FOR PRODUCT FUNCTION  
WHEN SETTING PATTERN ON THE HATCHED AREA.

THIS DRAWING CONTAINS INFORMATION THAT IS PROPRIETARY TO MOLEX ELECTRONIC TECHNOLOGIES, LLC AND SHOULD NOT BE USED WITHOUT WRITTEN PERMISSION										
DIMENSION UNITS	SCALE	CURRENT REV DESC: REVISED					<b>molex</b>			
mm	NTS									
GENERAL TOLERANCES (UNLESS SPECIFIED)							CLIK-MATE 1.5 DUAL ROW SMT R/A TYPE GOLD PLATING			
ANGULAR TOL	± 3.0 °						PRODUCT CUSTOMER DRAWING			
4 PLACES	± 0.2	EC NO: 680153				DOCUMENT NUMBER				
3 PLACES	± 0.2	DRWN: MIKEDA01	2021/10/05			2132280000-SD				
2 PLACES	± 0.2	CHK'D: SAKIYAMA	2021/10/05			DOC TYPE	DOC PART	REVISION		
1 PLACE	± 0.2	APPR: KOMURAKAMI	2021/10/05			PSD	000	F		
0 PLACES	± 0.2	INITIAL REVISION:								
DRAFT WHERE APPLICABLE MUST REMAIN WITHIN DIMENSIONS		DRWN: MIKEDA01	2019/10/01							
		APPR: KOMURAKAMI	2019/11/20							
		THIRD ANGLE PROJECTION	DRAWING	SERIES	MATERIAL NUMBER	CUSTOMER		SHEET NUMBER		
			A3-SIZE	213228	SEE CHART	GENERAL		2 OF 6		

VACUUM AREA (HATCHED)



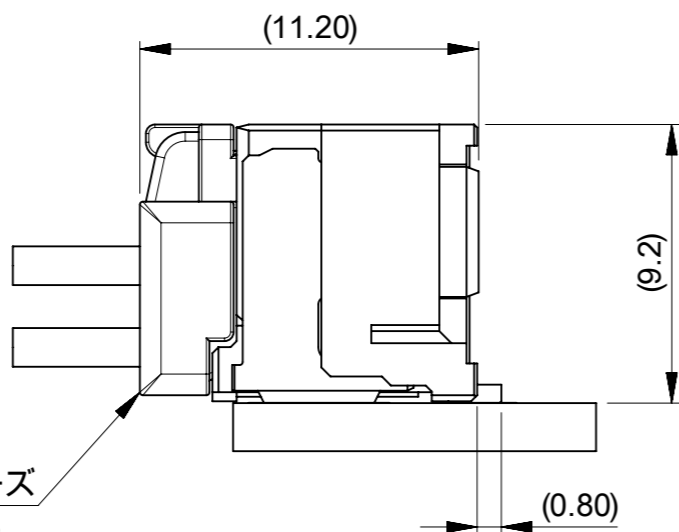
8-10極  
8-10 CKT

12-18極  
12-18 CKT

20-28極  
20-28 CKT

30-34極  
30-34 CKT

極数別ハウジング形状および吸着エリア  
HOUSING SHAPE AND VACUUM AREA AT EACH CKTS



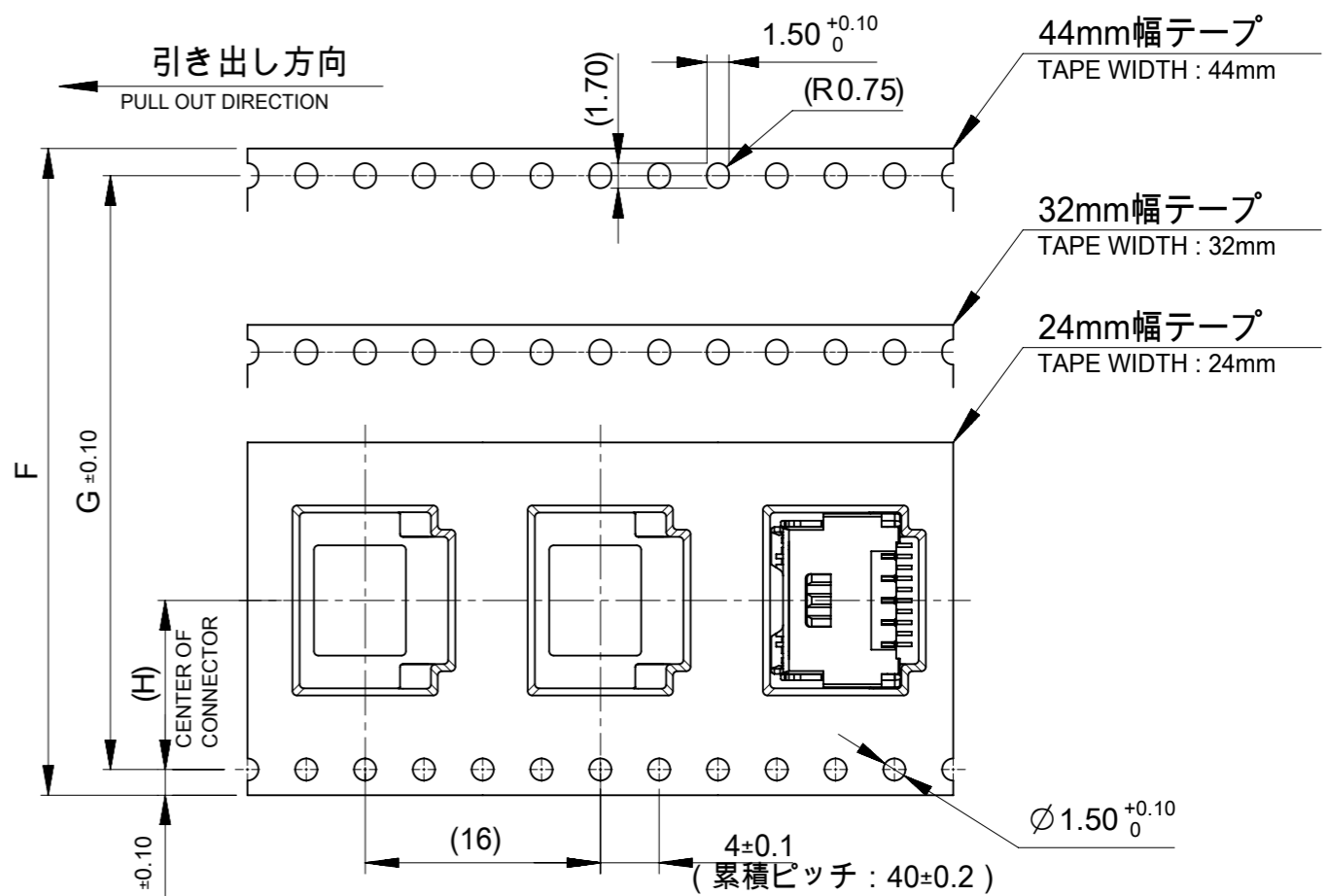
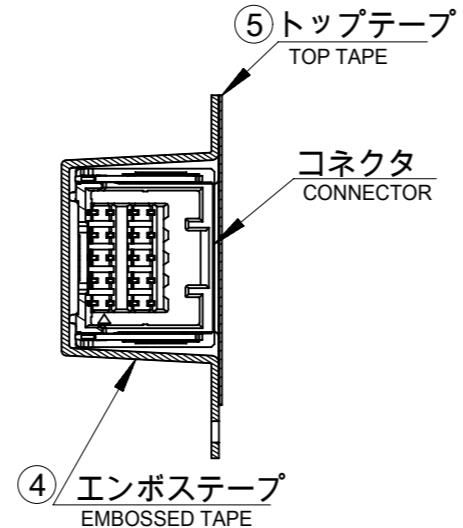
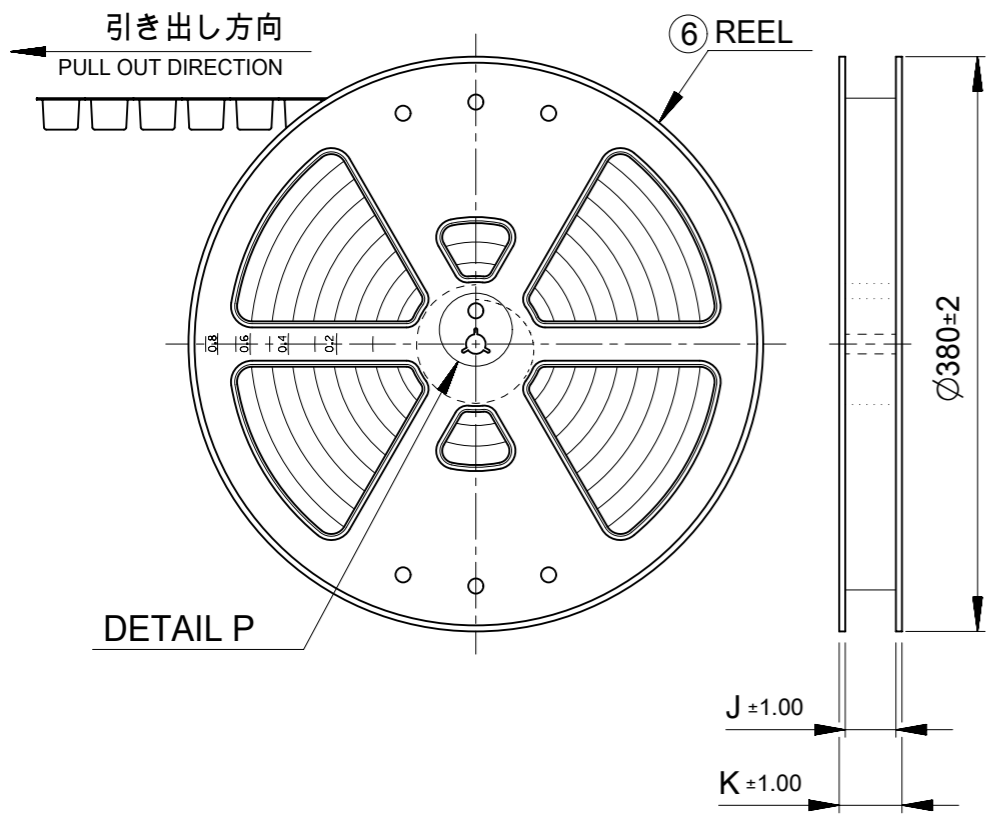
嵌合相手：503149シリーズ  
MATE WITH: 503149 SERIES

嵌合図  
MATED CONNECTORS

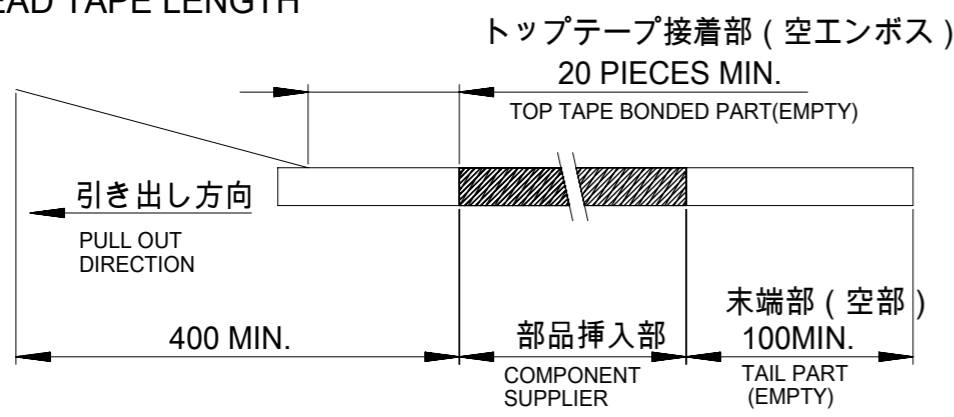
5.6	5.2	26
		24
4.2	4.2	22
	3.2	20
		18
2.5	2.5	16
		14
2.3	2.3	12
		10
2.75	3.6	8
E	D	CKT NO

THIS DRAWING CONTAINS INFORMATION THAT IS PROPRIETARY TO MOLEX ELECTRONIC TECHNOLOGIES, LLC AND SHOULD NOT BE USED WITHOUT WRITTEN PERMISSION

DIMENSION UNITS	SCALE	CURRENT REV DESC: REVISED		<b>molex</b>		
mm	NTS					
GENERAL TOLERANCES (UNLESS SPECIFIED)		EC NO: 680153		CLIK-MATE 1.5 DUAL ROW SMT R/A TYPE GOLD PLATING		
ANGULAR TOL	± 3.0 °	DRWN: MIKEDA01	2021/10/05	PRODUCT CUSTOMER DRAWING		
4 PLACES	± 0.2	CHK'D: SAKIYAMA	2021/10/05	DOCUMENT NUMBER		
3 PLACES	± 0.2	APPR: KOMURAKAMI	2021/10/05	2132280000-SD		
2 PLACES	± 0.2	INITIAL REVISION:		DOC TYPE	DOC PART	REVISION
1 PLACE	± 0.2	DRWN: MIKEDA01	2019/10/01	PSD	000	F
0 PLACES	± 0.2	APPR: KOMURAKAMI	2019/11/20	SHEET NUMBER		
DRAFT WHERE APPLICABLE MUST REMAIN WITHIN DIMENSIONS		THIRD ANGLE PROJECTION	DRAWING	SERIES	MATERIAL NUMBER	CUSTOMER
			A3-SIZE	213228	SEE CHART	GENERAL



**NOTE**  
 5. 梱包数量 : 550個 / リール  
 NUMBER OF CONNECTORS : 550 PIECES/REEL  
 6. リードテープ長さ  
 LEAD TAPE LENGTH



7. トップテープの剥離強度はJIS C0806-3 準拠  
 TOP TAPE PEELING OFF FORCE IS DIFINED BY JIS C0806-3.  
 8. 本製品は乾燥剤入り、ハイバリア梱包である。  
 THIS PRODUCT IS DELIVERED IN HIGH BARRIER PACKAGE WITH DESICCANT.

49.4	45.4	20.2	40.4	44±0.3	26
					24
					22
					20
					18
					16
					14
					12
				24 <sup>+0.3</sup> <sub>-0.1</sub>	10
					8
K	J	H	G	エンボステープ幅F WIDTH OF TAPE	CKT NO.

番号 No.	部品 PART	材質 MATERIAL
④	エンボステープ EMBOSSSED TAPE	ポリスチレン(PS) POLYSTYLENE
⑤	トップテープ TOP TAPE	ポリエチレン、ポリエチレンテレフタレート POLYETHYLENE (PE), POLYETHYLENE TELEPHTHALATE (PET)
⑥	リール REEL	ポリスチレン (リサイクル材を含む) POLYSTYLENE (CONTAINED RECYCLED MATERIAL)

THIS DRAWING CONTAINS INFORMATION THAT IS PROPRIETARY TO MOLEX ELECTRONIC TECHNOLOGIES, LLC AND SHOULD NOT BE USED WITHOUT WRITTEN PERMISSION

DIMENSION UNITS: mm SCALE: NTS

GENERAL TOLERANCES (UNLESS SPECIFIED):  
 ANGULAR TOL ± 3.0°  
 4 PLACES ± 0.2  
 3 PLACES ± 0.2  
 2 PLACES ± 0.2  
 1 PLACE ± 0.2  
 0 PLACES ± 0.2

THIRD ANGLE PROJECTION

DRAFT WHERE APPLICABLE MUST REMAIN WITHIN DIMENSIONS

EC NO: 680153  
 DRWN: MIKEDA01 2021/10/05  
 CHK'D: SAKIYAMA 2021/10/05  
 APPR: KOMURAKAMI 2021/10/05

INITIAL REVISION:  
 DRWN: MIKEDA01 2019/10/01  
 APPR: KOMURAKAMI 2019/11/20

DOCUMENT NUMBER: 2132280000-SD  
 DOC TYPE: PSD  
 DOC PART: 000  
 REVISION: F

**molex**

CLIK-MATE 1.5  
 DUAL ROW SMT R/A TYPE GOLD PLATING

PRODUCT CUSTOMER DRAWING

MATERIAL NUMBER: SEE CHART  
 CUSTOMER: GENERAL  
 SHEET NUMBER: 4 OF 6

△ 3 適用製品及び各種仕様書  
 APPLICABLE PRODUCTS AND VARIOUS SPECIFICATIONS

梱包仕様書 PACKAGING SPECIFICATION	PART NUMBER 213228 ****	DOCUMENT NUMBER 2132289200-SPK
----------------------------------	----------------------------	-----------------------------------

適用嵌合相手 MATE WITH	HOUSING	TERMINAL (GOLD PLATING)		
		PLATING THK	#24-28	#28-30
製品番号 PRODUCT NUMBER	503149 ****	0.1 micro-meters	213028 1*00	213029 1*00
		0.38 micro-meters	213028 3*00	213029 3*00
		0.76 micro-meters	213028 7*00	213029 7*00
製品仕様書 PRODUCT SPECIFICATION	5031490002-PS/PS/000			
アプリケーション仕様書 APPLICATION SPECIFICATION	AS-503149-001			

THIS DRAWING CONTAINS INFORMATION THAT IS PROPRIETARY TO MOLEX ELECTRONIC TECHNOLOGIES, LLC AND SHOULD NOT BE USED WITHOUT WRITTEN PERMISSION										
DIMENSION UNITS	SCALE	CURRENT REV DESC: REVISED					<b>molex</b>			
mm	NTS						CLIK-MATE 1.5 DUAL ROW SMT R/A TYPE GOLD PLATING			
GENERAL TOLERANCES (UNLESS SPECIFIED)							PRODUCT CUSTOMER DRAWING			
ANGULAR TOL	± 3.0 °	EC NO: 680153				DOCUMENT NUMBER		DOC TYPE	DOC PART	REVISION
4 PLACES	± 0.2	DRWN: MIKEDA01			2021/10/05	2132280000-SD		PSD	000	F
3 PLACES	± 0.2	CHK'D: SAKIYAMA			2021/10/05					
2 PLACES	± 0.2	APPR: KOMURAKAMI			2021/10/05					
1 PLACE	± 0.2	INITIAL REVISION:								
0 PLACES	± 0.2	DRWN: MIKEDA01			2019/10/01					
		APPR: KOMURAKAMI			2019/11/20					
DRAFT WHERE APPLICABLE MUST REMAIN WITHIN DIMENSIONS		THIRD ANGLE PROJECTION 	DRAWING A3-SIZE	SERIES 213228	MATERIAL NUMBER SEE CHART	CUSTOMER GENERAL		SHEET NUMBER 5 OF 6		

DOCUMENT STATUS	P1	RELEASE DATE	2021/10/05	08:21:54
-----------------	----	--------------	------------	----------

