



Alcoswitch

TE Internal #: 1634200-2

Rocker Switches, Power, Panel, Panel Cutout Size .795 x .874 in / .763 x .874 in / .771 x .874 in [19.4 x 22.2 mm / 19.6 x 22.2 mm / 20.2 x 22.2 mm]

[View on TE.com >](#)

Relays, Contactors & Switches > Switches > Rocker Switches



Switch Type: **Power**

Product Mount Type: **Panel**

Indicator/Imprint Legend: **O -**

Panel Cutout Size: **19.4 x 22.2 mm, 19.6 x 22.2 mm, 20.2 x 22.2 mm [.763 x .874 in, .771 x .874 in, .795 x .874 in]**

Switch Contact Plating Material: **Silver Tin Oxide**

Features

Product Type Features

Switch Connection Type	Quick Connect Terminal
Switch Type	Power
Lamp	Without
Actuator Type	Top
Actuator Style	Rocker

Configuration Features

Indicator/Imprint Color	White
Indicator/Imprint Legend	O -
Panel Cutout Size	19.4 x 22.2 mm, 19.6 x 22.2 mm, 20.2 x 22.2 mm [.763 x .874 in][.771 x .874 in][.795 x .874 in]
Configuration (Pole-Throw)	Double Pole - Single Throw
Operating Function	On Off

Electrical Characteristics

--	--



Operating Voltage Range	125 VAC, 250 VAC
-------------------------	------------------

Body Features

Product Orientation	Vertical
Case Color	Black
Actuator Color	Black

Contact Features

Terminal Tab Width	4.75 mm[.187 in]
Switch Contact Plating Material	Silver Tin Oxide
Contact Current Rating	10 A

Mechanical Attachment

Product Mount Type	Panel
--------------------	-------

Housing Features

Process Sealed	No
----------------	----

Industry Standards

Agency/Standard	VDE
-----------------	-----

Other

Switches Comment	Dust Resistant., Non-Illuminated
------------------	----------------------------------

Product Compliance

[For compliance documentation, visit the product page on TE.com>](#)

EU RoHS Directive 2011/65/EU	Compliant
EU ELV Directive 2000/53/EC	Compliant
China RoHS 2 Directive MIIT Order No 32, 2016	No Restricted Materials Above Threshold
EU REACH Regulation (EC) No. 1907/2006	Current ECHA Candidate List: JUNE 2023 (235) Candidate List Declared Against: JUNE 2023 (235) Does not contain REACH SVHC
Halogen Content	Low Halogen - Br, Cl, F, I < 900 ppm per homogenous material. Also BFR/CFR/PVC Free
Solder Process Capability	Not applicable for solder process capability

Product Compliance Disclaimer



This information is provided based on reasonable inquiry of our suppliers and represents our current actual knowledge based on the information they provided. This information is subject to change. The part numbers that TE has identified as EU RoHS compliant have a maximum concentration of 0.1% by weight in homogenous materials for lead, hexavalent chromium, mercury, PBB, PBDE, DBP, BBP, DEHP, DIBP, and 0.01% for cadmium, or qualify for an exemption to these limits as defined in the Annexes of Directive 2011/65/EU (RoHS2). Finished electrical and electronic equipment products will be CE marked as required by Directive 2011/65/EU. Components may not be CE marked. Additionally, the part numbers that TE has identified as EU ELV compliant have a maximum concentration of 0.1% by weight in homogenous materials for lead, hexavalent chromium, and mercury, and 0.01% for cadmium, or qualify for an exemption to these limits as defined in the Annexes of Directive 2000/53/EC (ELV). Regarding the REACH Regulation, the information TE provides on SVHC in articles for this part number is based on the latest European Chemicals Agency (ECHA) 'Guidance on requirements for substances in articles' posted at this URL: <https://echa.europa.eu/guidance-documents/guidance-on-reach>

Compatible Parts



TE Part # 1-1634200-7
PREDD3-07F-BB0FW

TE Part # 1-1634200-2
PREDD1-07F-BB0DW

TE Part # 1-1634200-3
PREDD1-07F-BB0EW

TE Part # 1634200-1
PREDA1-07F-BB000

TE Part # 2-1634200-2
PREDD4-07F-BB0FW

TE Part # 2-1634200-5
PREDD5-07F-BB0FW

TE Part # 2-1634200-6
PREDD5-07F-BB0GW

TE Part # 2-1634200-3
PREDD4-07F-BB0GW

Customers Also Bought



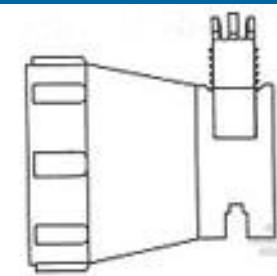
TE Part #6-2176331-1
CRGP 2512 1M0 1%



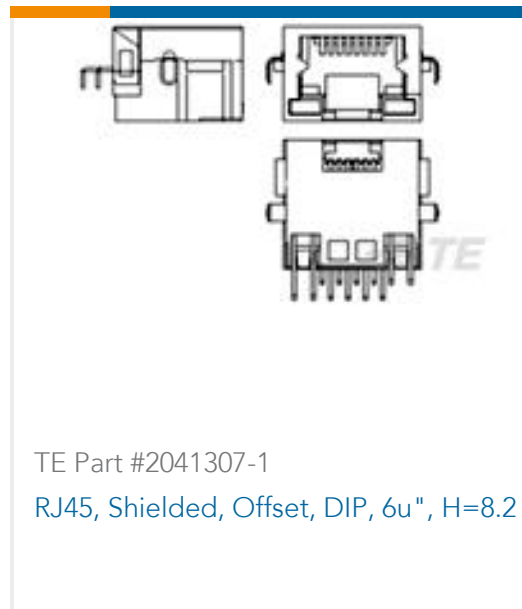
TE Part #9-2176306-8
RP 1E 0.1W 11K8 0.1% 25PPM 5K RL



TE Part #1-770985-0
MINI UMNL PIN 26-22AWG AU LP



TE Part #1445856-1
STR RELIEF ASY,STRAIGHT SZ 11



Documents

Product Drawings

[PREDA1-07F-BB0BW](#)

English

CAD Files

Customer View Model

[ENG_CVM_CVM_1634200-2_F.3d_igs.zip](#)

English

Customer View Model

[ENG_CVM_CVM_1634200-2_F.3d_stp.zip](#)

English

Customer View Model

[ENG_CVM_CVM_1634200-2_F.2d_dxf.zip](#)

English

3D PDF

3D

By downloading the CAD file I accept and agree to the [Terms and Conditions](#) of use.

Datasheets & Catalog Pages

[SWITCHES_CORE_PROGRAM_CATALOG](#)

English