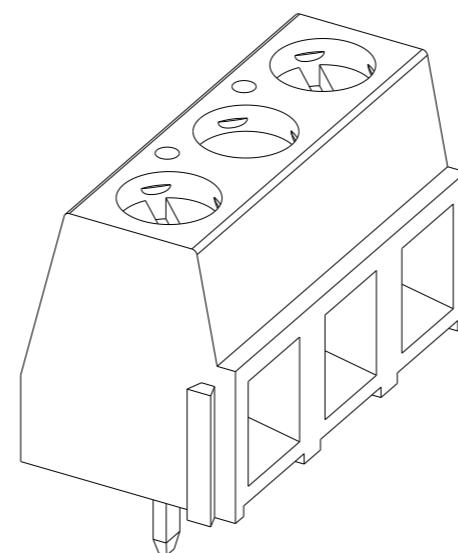
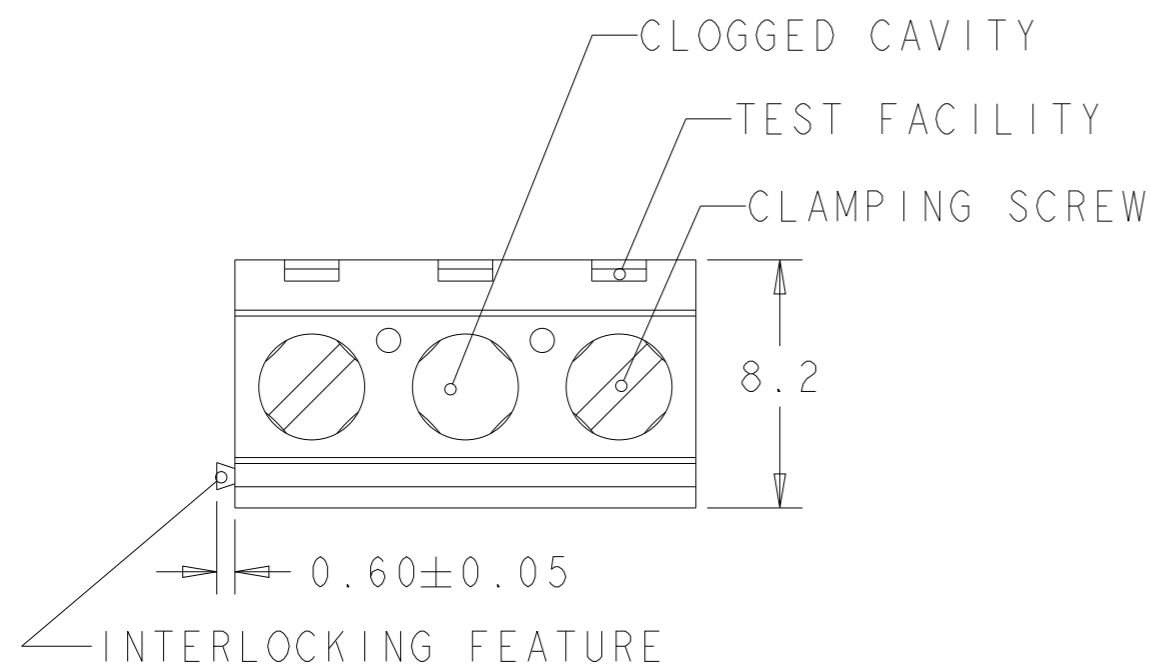
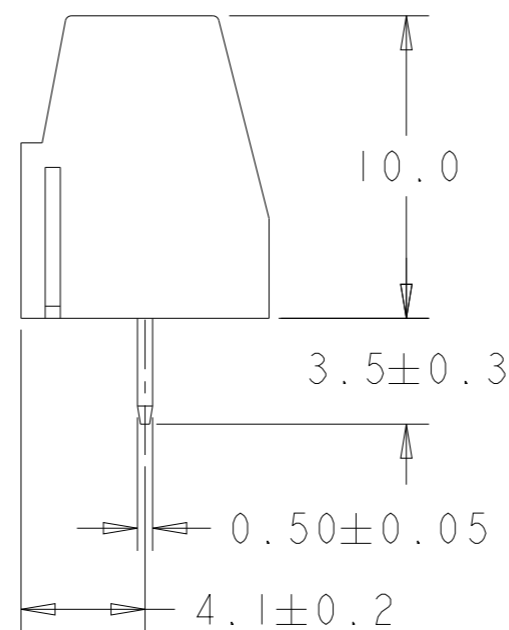
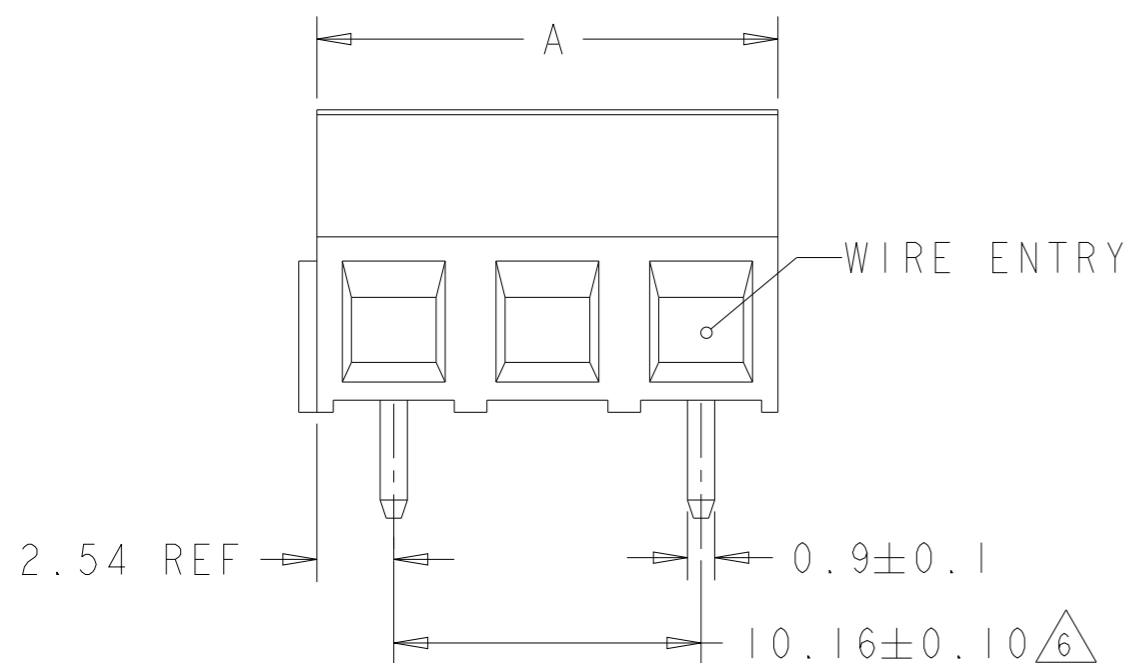


P	LTR	DESCRIPTION	DATE	DWN	APVD
	E	PACKAGING CHANGED FROM BLACK POLYURETHANE SPONGE TO TRAY	27MAR2018	RK	PS
	E1	PART STATUS UPDATED	20OCT2021	SCB	SS

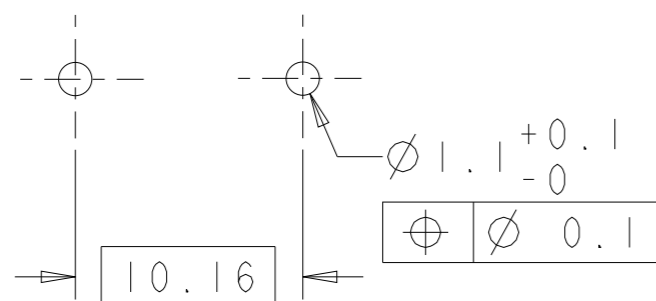


282836-2 AS SHOWN



OBSOLETE	127.00	13	1-282839-3
	116.84	12	1-282839-2
	106.68	11	1-282839-1
	96.52	10	1-282839-0
	86.36	9	282839-9
	76.20	8	282839-8
	66.04	7	282839-7
	55.88	6	282839-6
	45.72	5	282839-5
	35.56	4	282839-4
25.40	3	282839-3	
15.24	2	282839-2	
DIM. A	NO OF POS.	PART NUMBER	

RECOMMENDED PC BOARD LAYOUT





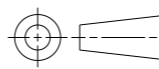
THIS DRAWING IS A CONTROLLED DOCUMENT.		DWN 04SEP2001 E. ZANOLINI	TE Connectivity	
DIMENSIONS: mm		CHK 04SEP2001 D. BIEVENOUR		
TOLERANCES UNLESS OTHERWISE SPECIFIED:		APVD 04SEP2001 D. BIEVENOUR	NAME TERMINAL BLOCK PCB MOUNT SIDE ENTRY WIRE 10.16mm PITCH	
0 PLC ±- 1 PLC ±.3 2 PLC ±.25 3 PLC ±- 4 PLC ±- ANGLES ±2		PRODUCT SPEC 108-20166	RESTRICTED TO	
MATERIAL SEE NOTES		APPLICATION SPEC 114-20079	SIZE A3	CAGE CODE 00779
FINISH SEE NOTES		WEIGHT -	DRAWING NO C-282839	REV E1
CUSTOMER DRAWING			SCALE 4:1	SHEET 1 OF 2

REVISIONS

P	LTR	DESCRIPTION	DATE	DWN	APVD
	-	SEE SHEET 1	-	-	-

NOTES:

- MATERIALS AND FINISH
HOUSING: PA 6-6, UL 94-V0, COLOR GREEN.
CLAMP: BRASS, NICKEL PLATED.
TERMINAL: BRASS, TIN PLATED.
CLAMPING SCREW: M3, BRASS, NICKEL PLATED.
- MECHANICAL
WIRE STRIPPING LENGTH : 5.0-6.0 mm
MIN. PC BOARD HOLES DIAMETER : 1.1 mm
MAX. PC BOARD THICKNESS : 2.4 mm
RECOMMENDED TIGHTENING TORQUE FOR SCREW : 0.5 Nm.
- ELECTRICAL
WIRE RANGE : 16-30 AWG
MAX. VOLTAGE : 600 V
MAX CURRENT : 13.5 A
CONTACT RESISTANCE : <15 m Ohm
INSULATION RESISTANCE : >1000 M Ohm (500V DC)
- RECOGNIZED UNDER THE COMPONENT PROGRAM OF UNDERWRITERS LABORATORIES INC., FILE NO E60677.
- OPERATING TEMPERATURE RANGE: -40°C TO +110°C
-  NOT CUMULATIVE TOLERANCE.
- PACKED IN TRAY.

THIS DRAWING IS A CONTROLLED DOCUMENT.		DWN	04SEP2001		 TE Connectivity
		CHK	04SEP2001		
		APVD	04SEP2001		
		PRODUCT SPEC	108-20166		
DIMENSIONS: mm		TOLERANCES UNLESS OTHERWISE SPECIFIED:		NAME	
		0 PLC ± 1 PLC ±.3 2 PLC ±.25 3 PLC ± 4 PLC ± ANGLES ±2		TERMINAL BLOCK PCB MOUNT SIDE ENTRY WIRE 10.16mm PITCH	
MATERIAL SEE NOTES		FINISH SEE NOTES		APPLICATION SPEC	
				114-20079	
		WEIGHT		-	
		CUSTOMER DRAWING		SIZE	RESTRICTED TO
				A3	-
				CAGE CODE	
				G-282839	
				DRAWING NO	
				SCALE	
				4:1	
				SHEET	
				2 OF 2	
				REV	
				E1	