

Features

- V_F , R_D and C_J Matching Options
- Beam Lead & Packaged Devices
- Hi-Rel Screening Available per:
MIL-PRF-19500 & MIL-PRF-38534

Description

The MSS60-xxx-x Series of Schottky diodes are fabricated on N-Type epitaxial substrates using proprietary processes that yield the highest FCOs in the industry. Optimum mixer performance is obtained with LO power of 6 dBm to 12 dBm per diode.



Beam Lead

Electrical Specifications: $T_A = 25^\circ\text{C}$

Model	Configuration	V_F Typ. mV	V_{BR} Min. V	C_J Typ. / Max. pF	R_S Typ. Ω	R_D Max. Ω	Outline
		$I_F = 1 \text{ mA}$	$I_R = 10 \mu\text{A}$	$V_R = 0 \text{ V}$ $F = 1 \text{ MHz}$	$I = 5 \text{ mA}$	$I = 5 \text{ mA}$	
MSS60-144-B10B	Single Junction	625	3.5	0.08 / 0.10	20	25	B10B
MSS60-148-B10B	Single Junction	625	3.5	0.12 / 0.15	13	18	B10B
MSS60-153-B10B	Single Junction	625	3.5	0.20 / 0.25	7	12	B10B
MSS60-244-B20	Series Tee	625	3.5	0.08 / 0.10	20	25	B20
MSS60-248-B20	Series Tee	625	3.5	0.12 / 0.15	13	18	B20
MSS60-253-B20	Series Tee	625	3.5	0.20 / 0.25	7	12	B20
MSS60-444-B42	Ring Quad	650	3.5	0.08 / 0.10	20	25	B42
MSS60-448-B42	Ring Quad	650	3.5	0.12 / 0.15	13	18	B42
MSS60-453-B42	Ring Quad	650	3.5	0.25 / 0.30	7	12	B42
MSS60-841-B80	Ring Quad	1200	6.0	0.06 / 0.08	23	28	B80
MSS60-846-B80	Ring Quad	1200	6.0	0.10 / 0.12	17	23	B80
MSS60-848-B80	Ring Quad	1200	6.0	0.12 / 0.15	13	18	B80

(Continued next page)

Packaged

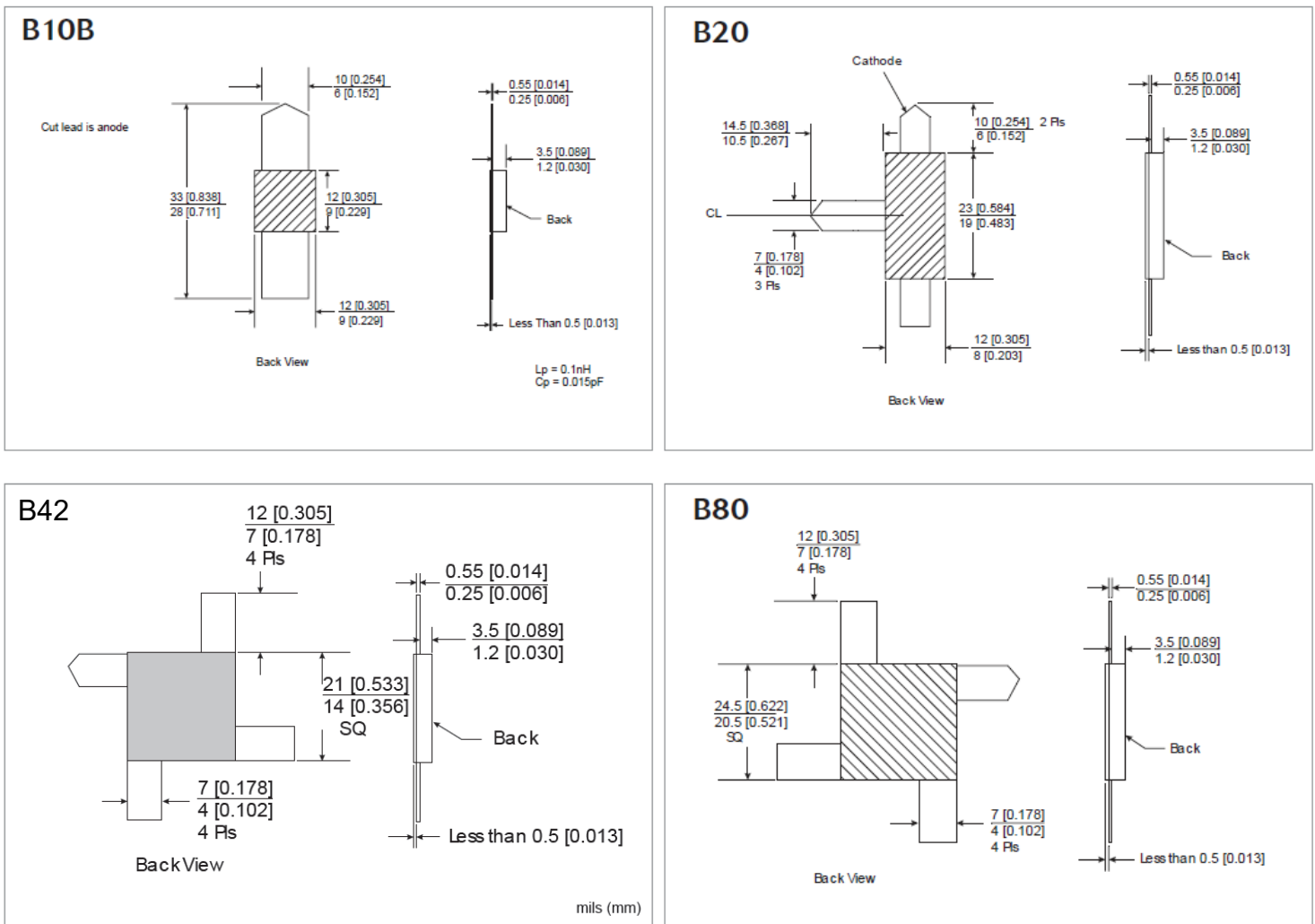
Electrical Specifications: $T_A = 25^\circ\text{C}$

Model	Configuration	V_F Typ. mV	V_{BR} Min. V	C_J Typ. / Max. pF	R_S Typ. Ω	R_D Max. Ω	Outline
		$I_F = 1 \text{ mA}$	$I_R = 10 \mu\text{A}$	$V_R = 0 \text{ V}$ $F = 1 \text{ MHz}$	$I = 5 \text{ mA}$	$I = 5 \text{ mA}$	
MSS60-144-E25	Single Junction	625	3.5	0.21 / 0.27	20	25	E25
MSS60-144-H20	Single Junction	625	3.5	0.24 / 0.30	20	25	H20
MSS60-148-E25	Single Junction	625	3.5	0.24 / 0.30	13	18	E25
MSS60-148-H20	Single Junction	625	3.5	0.27 / 0.33	13	18	H20
MSS60-153-E25	Single Junction	625	3.5	0.16 / 0.22	7	12	E25
MSS60-153-H20	Single Junction	625	3.5	0.24 / 0.30	7	12	H20
MSS60-244-E35	Series Tee	625	3.5	0.22 / 0.28	20	25	E35
MSS60-244-H30	Series Tee	625	3.5	0.30 / 0.36	20	25	H30
MSS60-248-E35	Series Tee	625	3.5	0.35 / 0.41	13	18	E35
MSS60-248-H30	Series Tee	625	3.5	0.43 / 0.50	13	18	H30
MSS60-253-E35	Ring Quad	625	3.5	0.22 / 0.28	7	12	E35
MSS60-253-H30	Ring Quad	625	3.5	0.35 / 0.41	7	12	H30
MSS60-444-E45	Ring Quad	650	3.5	0.24 / 0.30	20	25	E45
MSS60-448-E45	Ring Quad	650	3.5	0.32 / 0.38	13	18	E45
MSS60-448-H40	Ring Quad	650	3.5	0.42 / 0.48	13	18	E45
MSS60-453-E45	Ring Quad	650	3.5	0.26 / 0.30	7	12	E45
MSS60-453-H40	Ring Quad	650	3.5	0.32 / 0.38	7	12	H40
MSS60-841-E45	Ring Quad	1200	6.0	0.30 / 0.35	23	28	E45
MSS60-841-H40	Ring Quad	1200	6.0	0.40 / 0.45	23	28	H40
MSS60-846-E45	Ring Quad	1200	6.0	0.32 / 0.38	18	23	E45
MSS60-846-H40	Ring Quad	1200	6.0	0.42 / 0.48	18	23	H40
MSS60-848-E45	Ring Quad	1200	6.0	0.35 / 0.41	13	18	E45
MSS60-848-H40	Ring Quad	1200	6.0	0.44 / 0.51	13	18	H40

Absolute Maximum Ratings

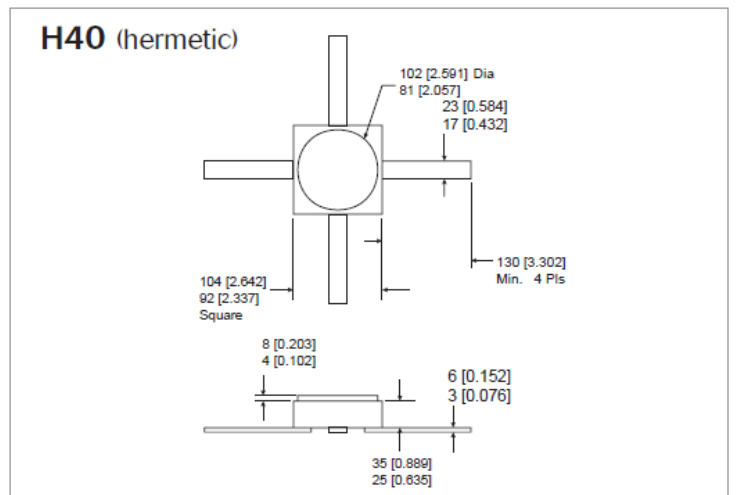
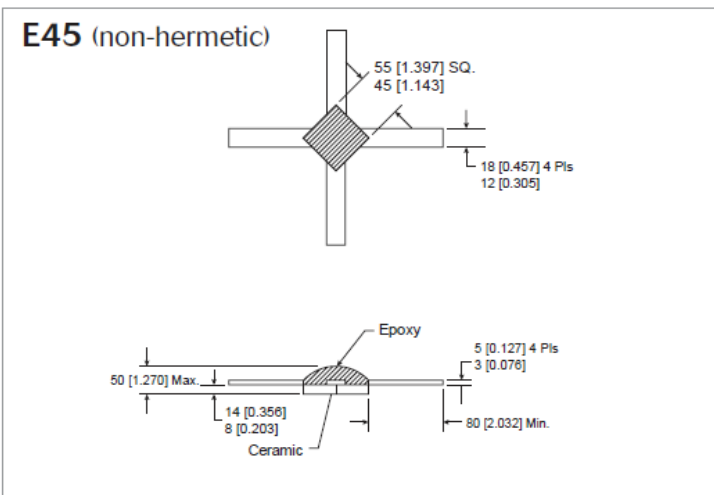
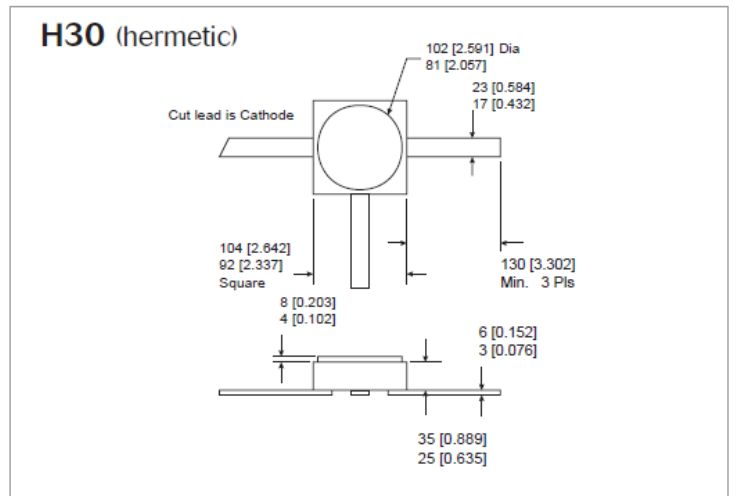
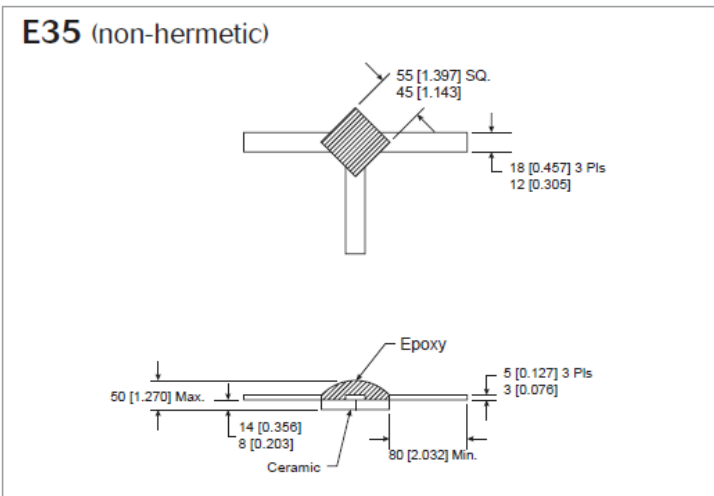
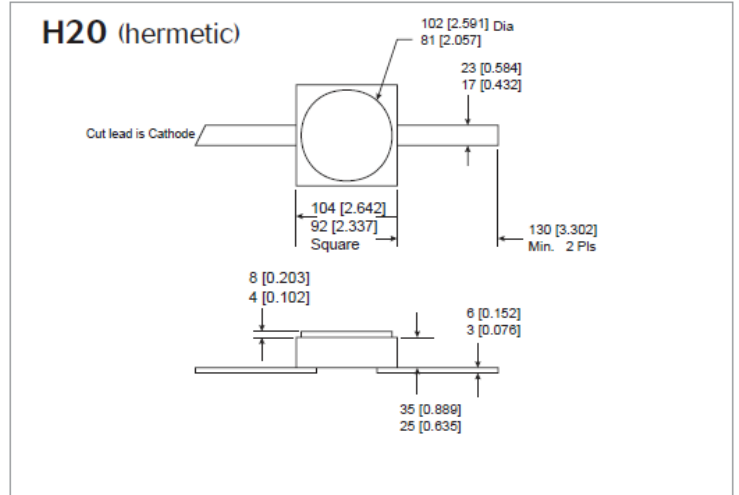
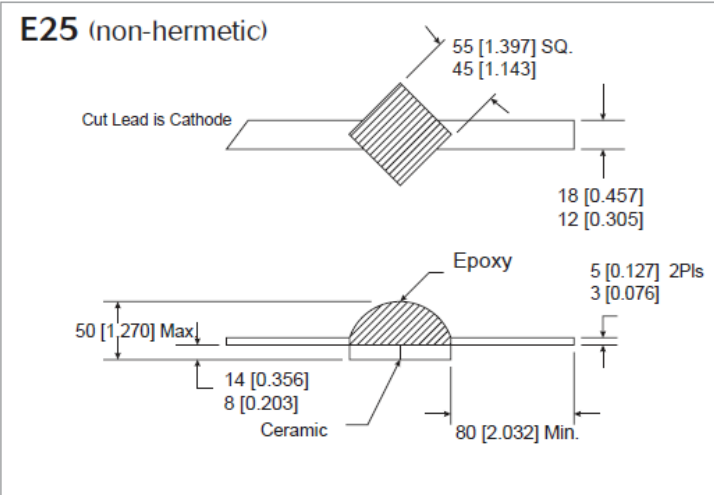
Parameters	Rating
Reverse Voltage	Rated V_{BR}
Forward Current	50 mA
Power Dissipation	100 mW, per junction @ $T_A = 25^\circ\text{C}$, derate linearly to 0 @ $T_A = +150^\circ\text{C}$
Operating Temperature	-65°C to $+150^\circ\text{C}$
Storage Temperature	-65°C to $+150^\circ\text{C}$
Soldering Temperature (packaged)	$+230^\circ\text{C}$ for 5 seconds
Beam Lead Pull Strength	4 G minimum

Outline Drawings:



MACOM Technology Solutions Inc. (MACOM) and its affiliates reserve the right to make changes to the product(s) or information contained herein without notice. Visit www.macom.com for additional data sheets and product information.

Outline Drawings:



MACOM Technology Solutions Inc. ("MACOM"). All rights reserved.

These materials are provided in connection with MACOM's products as a service to its customers and may be used for informational purposes only. Except as provided in its Terms and Conditions of Sale or any separate agreement, MACOM assumes no liability or responsibility whatsoever, including for (i) errors or omissions in these materials; (ii) failure to update these materials; or (iii) conflicts or incompatibilities arising from future changes to specifications and product descriptions, which MACOM may make at any time, without notice. These materials grant no license, express or implied, to any intellectual property rights.

THESE MATERIALS ARE PROVIDED "AS IS" WITH NO WARRANTY OR LIABILITY, EXPRESS OR IMPLIED, RELATING TO SALE AND/OR USE OF MACOM PRODUCTS INCLUDING FITNESS FOR A PARTICULAR PURPOSE, MERCHANTABILITY, INFRINGEMENT OF INTELLECTUAL PROPERTY RIGHT, ACCURACY OR COMPLETENESS, OR SPECIAL, INDIRECT, INCIDENTAL, OR CONSEQUENTIAL DAMAGES WHICH MAY RESULT FROM USE OF THESE MATERIALS.

MACOM products are not intended for use in medical, lifesaving or life sustaining applications. MACOM customers using or selling MACOM products for use in such applications do so at their own risk and agree to fully indemnify MACOM for any damages resulting from such improper use or sale.