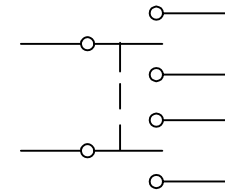
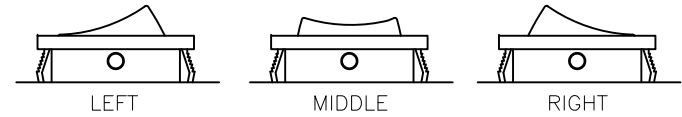
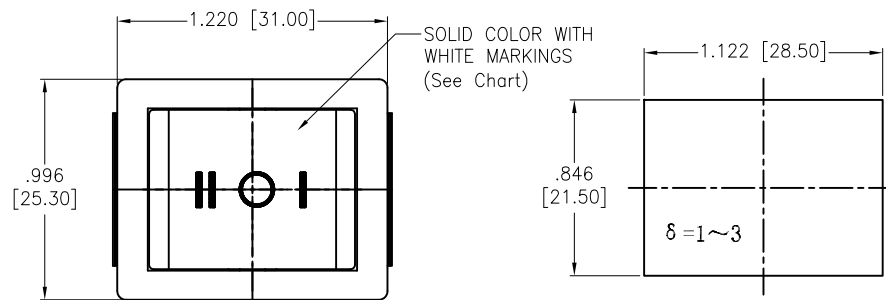
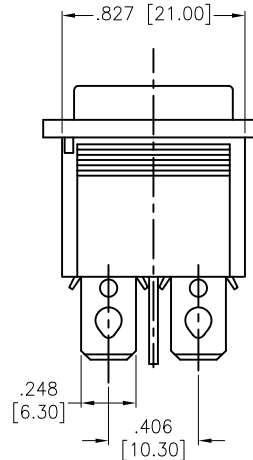
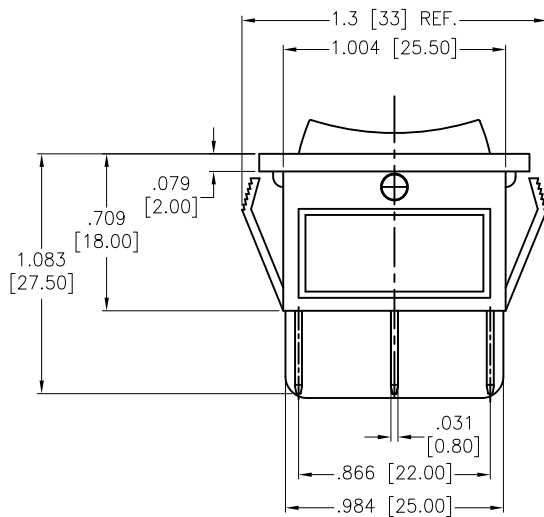


APPROVED: _____
 DATE: _____ TITLE: _____

Rev	AWO #	Description	Date	Appr
-		RELEASED	10/28/20	
A		UPDATE SPEC.	8/31/21	WX/RC



CIRCUIT DIAGRAM
(DPDT) ON-OFF-ON



RECOMMENDED
PANEL CUT-OUT

SW-R1-4E-E-XX-0

Actuator Color		Actuator Markings	
BLANK	Standard Black	6	
W	White		
R	Red		
G	Green		
Y	Yellow (Amber)		
B	Blue		
O	Orange		

Replace "x" in P/N with the corresponding switch color and marking

SPECIFICATIONS:

Body: Nylon 66, Color Black, Rated UL 94V-0

Terminal: Brass, Silver plated

Button: Nylon 66, Solid color, White color markings. (See Chart)

Electrical:

The rated load: 250V AC, 16A

125V AC, 20A

Contact resistance: 50 mohms max

Insulation resistance: 100 Mohms min

Dielectric withstanding voltage: 1500 VAC/5S min

Mechanical:

Electrical life: 10000 Cycles min

Temperature Rating:

Operating temperature: -25°C to +85°C

Environmental:

Lead free, RoHS compliant



UNLESS OTHERWISE SPECIFIED
 ALL DIMENSIONS ARE INCHES [MM]
 TOLERANCES: EXCEPT AS NOTED
 INCHES HOLES
 .X ± .10 Ø.X ± .10
 .XX ± .020 Ø.XX ± .015
 .XXX ± .015 Ø.XXX ± .010



909 Rahway Avenue,
 Union, NJ 07083
 Phone: 908-687-5000
 Fax: 908-687-5710

APPROVALS		DATE
DRAWN	OW	10/28/20
CHECKED	AC	10/28/20
APPROVED		

TITLE SWITCH, MEDIUM ROCKER, DPDT, ON-OFF-ON, QC .250 [6.35MM]		
SIZE X	PART NO. SW-R1-4E-E-XX-0	REV. A
REF: S00206C	SCALE: NTS	SHEET 1 OF 1