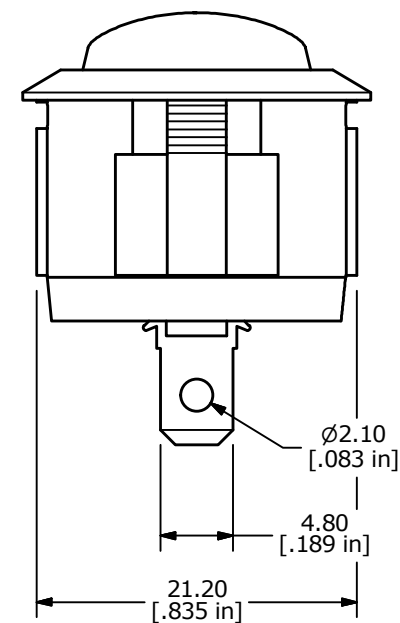
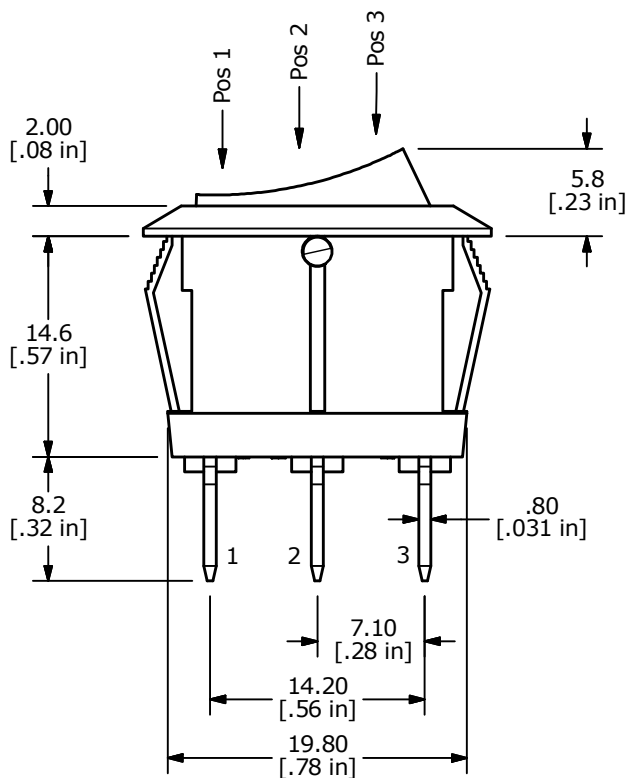
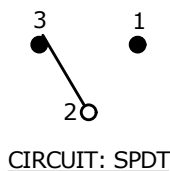


▲ SWITCH FUNCTION		
POS. 1	POS. 2	POS. 3
ON	OFF	ON
2-3	OPEN	2-1



- NOTE:
- DIMENSIONS IN MM [INCH]
 - GENERAL TOLERANCE: X.X = ± 0.4
X.XX = ± 0.25
 - TERMINAL NUMBERS FOR REF ONLY
 - CONTACT MATERIAL: SILVER
 - CONTACT RATING: 10A 125VAC [UL, cUL]
6A 250VAC [UL, cUL]
6A 250V~ 1E4 T85 [ENEC]
 - CONTACT RESISTANCE: 35mΩ MAX. @ 50VAC
 - INSULATION RESISTANCE: 1000MΩ MIN. @ 500VAC
 - DIELECTRIC STRENGTH: 1,500VAC FOR 1 MINUTE
 - ELECTRICAL LIFE: 6,000 CYCLES [UL, cUL]
10,000 CYCLES [ENEC]
 - OPERATING TEMPERATURE: -20°C to 105°C [UL, cUL]
-20°C to 125°C [ENEC]
 - ▲ DENOTES CRITICAL PARAMETER



B	23899	correct actuator top view	5/17/19	MW
A	23790	Release	3/7/19	MW
REV	PCR NO	DESCRIPTION	DATE	BY

TITLE RRG3853112S				
SCALE 2:1	DATE 3/7/2019	DR MW	DWG 38-RRG3853112S	REV B