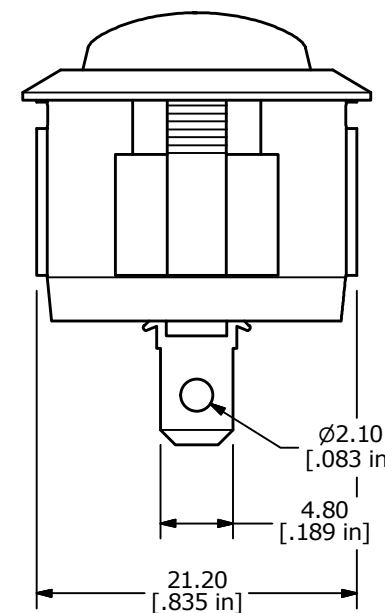
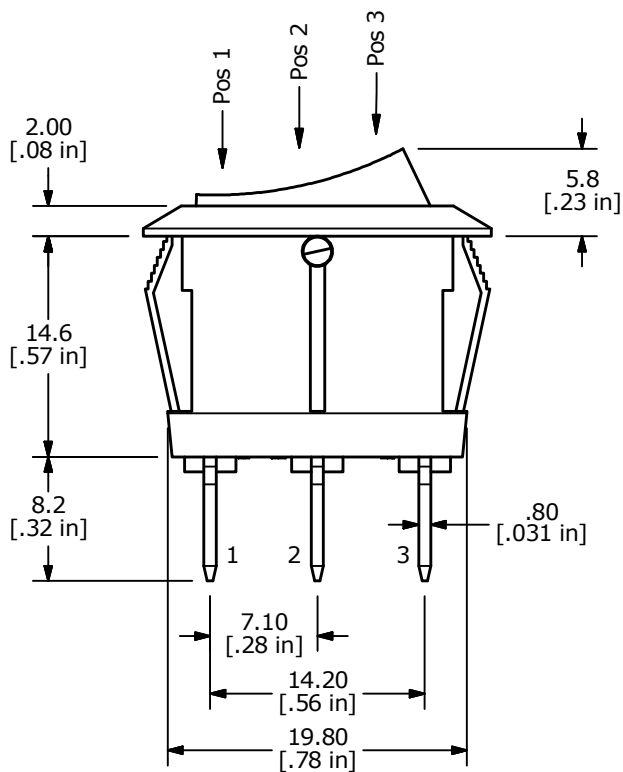
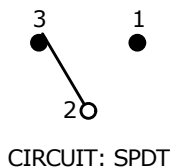


▲ SWITCH FUNCTION		
POS. 1	POS. 2	POS. 3
ON	OFF	ON
2-3	OPEN	2-1



NOTE:

- DIMENSIONS IN MM [INCH]
- GENERAL TOLERANCE: X.X = ± 0.4
X.XX = ± 0.25
- TERMINAL NUMBERS FOR REF ONLY
- CONTACT MATERIAL: SILVER
- CONTACT RATING: 10A 125VAC [UL, cUL]
6A 250VAC [UL, cUL]
6A 250V~ 1E4 T85 [ENEC]
- CONTACT RESISTANCE: 35mΩ MAX. @ 50VAC
- INSULATION RESISTANCE: 1000MΩ MIN. @ 500VAC
- DIELECTRIC STRENGTH: 1,500VAC FOR 1 MINUTE
- ELECTRICAL LIFE: 6,000 CYCLES [UL, cUL]
10,000 CYCLES [ENEC]
- OPERATING TEMPERATURE: -20°C to 105°C [UL, cUL]
-20°C to 125°C [ENEC]
- ▲ DENOTES CRITICAL PARAMETER

REV	PCR NO	DESCRIPTION	DATE	BY
B	23899	correct actuator top view	5/17/19	MW
A	23765	Release	2/7/19	MW

TITLE RRG38531129				
SCALE 2:1	DATE 2/7/2019	DR MW	DWG 38-RRG38531129	REV B