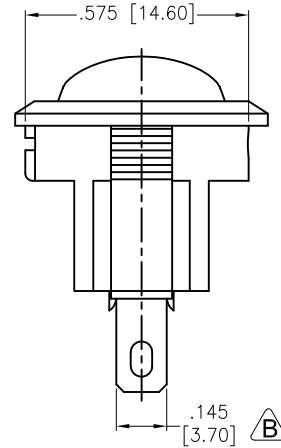
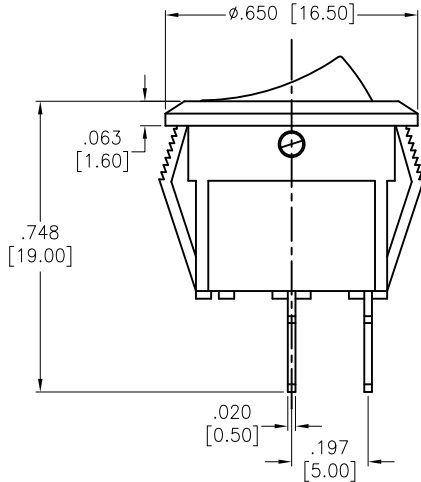
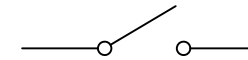
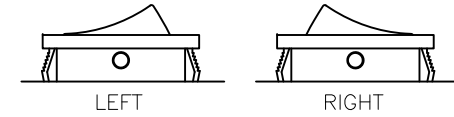
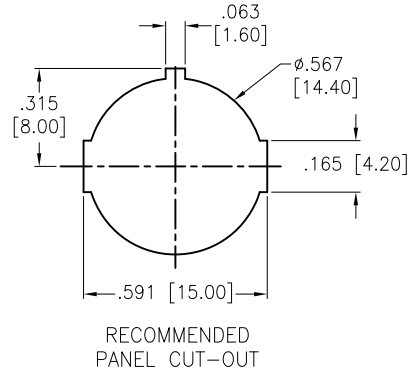
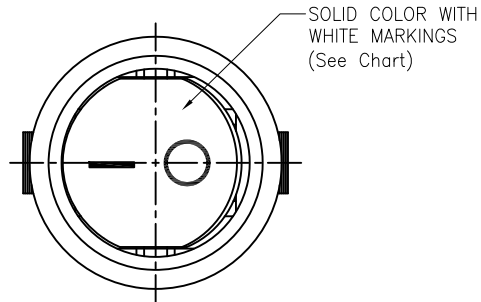


APPROVED: _____
 DATE: _____ TITLE: _____

Rev	AWO #	Description	Date	Appr
-		RELEASED	11/3/20	
A		UPDATE SPEC.	8/31/21	JJ/RC
B		UPDATED DIM.	10/11/22	JJ/LL1



SW-R3-1A-A-XX-2

	Body Color	Actuator Markings
BLANK	Standard Black	1
W	White	2
		3
		4
		5

SPECIFICATIONS:
 Body: Nylon 66, Color Black, Rated UL 94V-0
 Terminal: Brass, Silver plated
 Button: Nylon 66, Solid color, White color markings. (See Chart)
 Electrical:
 The rated load: 250V AC, 3A
 125V AC, 6A
 Contact resistance: 50 mohms max
 Insulation resistance: 100 Mohms min
 Dielectric withstanding voltage: 1500 VAC/5S min
 Mechanical:
 Electrical life: 10000 Cycles min
 Temperature Rating:
 Operating temperature: -25°C to +85°C
 Environmental:
 Lead free, RoHS compliant



Replace "x" in P/N with the corresponding switch color and marking

UNLESS OTHERWISE SPECIFIED ALL DIMENSIONS ARE INCHES [MM]. TOLERANCES: EXCEPT AS NOTED		 909 Rahway Avenue, Union, NJ 07083 Phone: 908-687-5000 Fax: 908-687-5710	
INCHES: .x ±.10, .xx ±.020, .xxx ±.015 HOLES: Øx ±.10, Øxx ±.015, Øxxx ±.010			
DRAWN	OW	11/3/20	TITLE SWITCH, SUB MINIATURE ROCKER, SPST, ON-OFF, SOLDER TYPE
CHECKED	AC	11/3/20	
APPROVED			
THIS DRAWING CONTAINS INFORMATION THAT IS PROPRIETARY AND SHOULD NOT BE USED WITHOUT PRIOR WRITTEN PERMISSION FROM ADAM TECH			SIZE X PART NO. SW-R3-1A-A-XX-2 REV. B
REF:	S00206C	SCALE: NTS	SHEET 1 OF 1