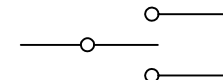
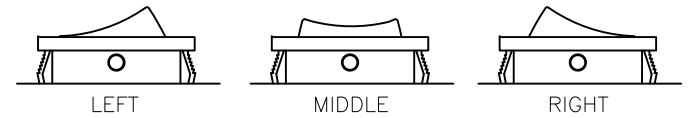
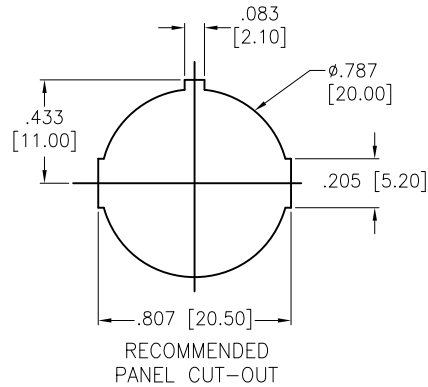
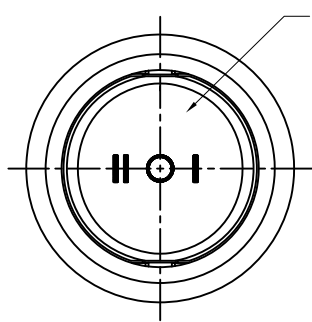
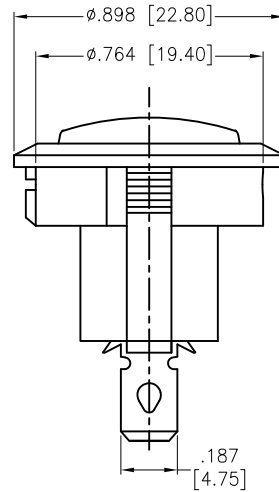
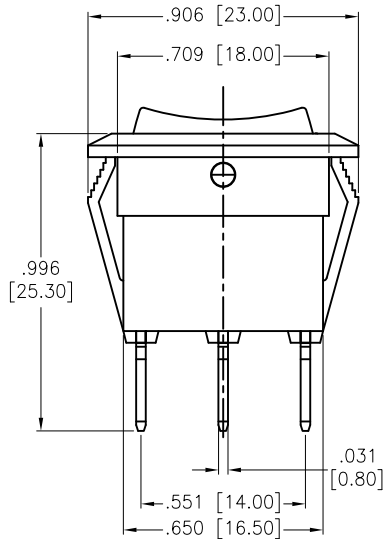


APPROVED: \_\_\_\_\_  
 DATE: \_\_\_\_\_ TITLE: \_\_\_\_\_

Rev	AWO #	Description	Date	Appr
-		RELEASED	10/26/20	
A		UPDATE SPEC.	8/31/21	WX/RC



CIRCUIT DIAGRAM  
(SPDT) ON-OFF-ON



SW-R2-2E-F-XX-8

	Body Color		Actuator Markings
BLANK	Standard Black	6	
W	White		

**SPECIFICATIONS:**

Body: Nylon 66, Color Black, Rated UL 94V-0

Terminal: Brass, Silver plated

Button: Nylon 66, Solid color, White color markings. (See Chart)

**Electrical:**

The rated load: 250V AC, 6A

125V AC, 10A

Contact resistance: 50 mohms max

Insulation resistance: 100 Mohms min

Dielectric withstanding voltage: 1500 VAC/5S min

**Mechanical:**

Electrical life: 10000 Cycles min

Temperature Rating:

Operating temperature: -25°C to +85°C

Environmental:

Lead free, RoHS compliant



Replace "x" in P/N with the corresponding switch color and marking

UNLESS OTHERWISE SPECIFIED  
 ALL DIMENSIONS ARE INCHES [MM]  
 TOLERANCES: EXCEPT AS NOTED  
 INCHES HOLES  
 .X ± .10 Ø.X ± .10  
 .XX ± .020 Ø.XX ± .015  
 .XXX ± .015 Ø.XXX ± .010



909 Rahway Avenue,  
 Union, NJ 07083  
 Phone: 908-687-5000  
 Fax: 908-687-5710

APPROVALS		DATE
DRAWN	OW	10/26/20
CHECKED	AC	10/26/20
APPROVED		

TITLE SWITCH, MINIATURE ROCKER, SPDT, ON-OFF-ON, QC .187 [4.75MM]		
SIZE X	PART NO. SW-R2-2E-F-XX-8	REV. A
REF: S00206C	SCALE: NTS	SHEET 1 OF 1