

E222871

Miniature Rocker

Specifications

Electrical Ratings	5A @ 120VAC, 28VDC 2A @ 250VAC See Contact Options	Dielectric Strength	1500Vrms min
Electrical Life	50,000 cycles typical	Insulation Resistance	>100MΩ min
Contact Resistance	<20mΩ initial @ 2-4VDC, 100mA	Operating Temperature	-40°C to 85°C
		Storage Temperature	-40°C to 85°C

Materials

Actuator	ABS
Housing	Diallyl Phthalate (DAP)
Frame	6/6 Nylon
Bushing	Brass or Zinc, Nickel Plated
Contacts	Copper Alloy, Silver Plated
Terminals	Brass, Silver Plated

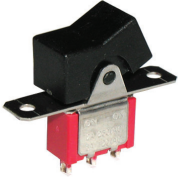
Features

- Wide variety of applications from consumer electronics to commercial
- Standard epoxy sealed terminations
- Gold contacts available for low power applications
- Available support brackets for greater stability
- Up to four poles with five functions available
- Many rocker and paddle styles to choose from
- Wide variety of terminal options

Ordering Information

1. Series	ANR	1	1	R11	2				B	Q	E
ANR											
2. Number of Poles											
1 = SPDT											
2 = DPDT											
3 = 3PDT											
4 = 4PDT											
3. Switch Function											
1 = ON-NONE-ON											
2 = ON-NONE-(ON)											
3 = ON-OFF-ON											
4 = (ON)-OFF-(ON)											
5 = ON-OFF-(ON)											
6 = ON-ON-ON **See 3-way wiring section for details											
4. Actuator											
R11P / R11 = Rocker, PC mount / Panel mount											
R15P / R15 = Rocker, PC mount / Panel mount											
R19P / R19 = Rocker, PC mount / Panel mount											
R21P / R21 = Rocker, PC mount / Panel mount											
P13P / P13 = Paddle, PC mount / Panel mount											
P23P / P23 = Paddle, PC mount / Panel mount											
P43P / P43 = Paddle, PC mount / Panel mount											
P47P / P47 = Paddle, PC mount / Panel mount											
P48P / P48 = Paddle, PC mount / Panel mount											
R12 / R22 = Rocker, snap-in panel mount w/frame / snap-in panel mount w/o frame											
P14 / P24 = Paddle, snap-in panel mount w/frame / snap-in panel mount w/o frame											
P17 / P27 = Paddle, snap-in panel mount w/frame / snap-in panel mount w/o frame											
P18 / P28 = Paddle, snap-in panel mount w/frame / snap-in panel mount w/o frame											
R51R = Rocker, snap-in panel mount w/frame and LED (Red LED standard)											
R53R = Rocker, snap-in panel mount w/frame and LED (Red LED standard)											
5. Actuator Color											
1 = White											
2 = Black											
3 = Red											
4 = Yellow											
5 = Green											
6 = Orange											
7 = Blue											
8 = Brown											
9 = Gray											
6. Frame Color											
1 = White											
2 = Black											
3 = Red											
4 = Yellow											
5 = Green											
6 = Orange											
7 = Blue											
8 = Brown											
9 = Gray											
Blank = No Frame											
7. Actuator Marking Style											
Blank = No marking											
A, B, C, D, E, F, G											
8. Actuator Marking Color											
Blank = No marking											
W = White, standard											
B = Black											
9. Terminals											
B = Solder lug											
C = PC pin											
D = Quick Connect											
H = Horizontal mount, right angle PC Pin; HS = Snap-in											
V = Vertical mount, right angle PC pin											
S20 / S25 = PC pin with support bracket; V20 / V25 = Snap-in support bracket											
S35 / S40 = PC pin with support bracket											
10. Contacts											
Q = Silver plated											
R = Gold plated											
G = Gold over Silver plated											
11. Epoxy Seal											
E = Epoxy Seal											

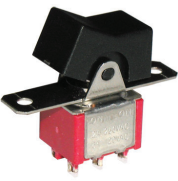
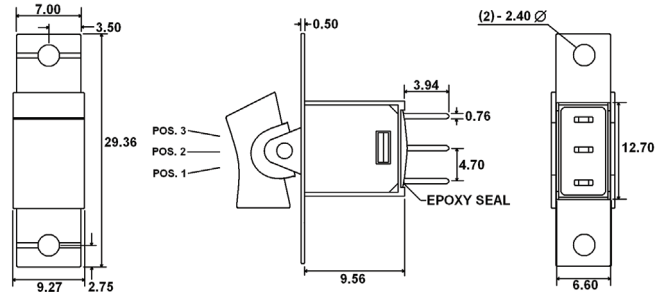
Switch Function



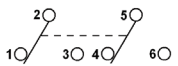
SPDT



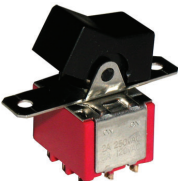
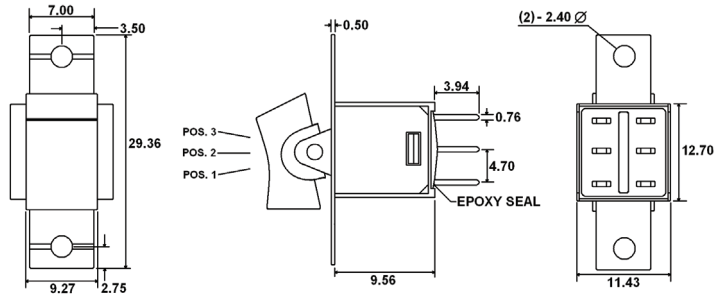
Function	Rocker Position		
1	ON	NONE	ON
2	ON	NONE (ON)	
3	ON	OFF	ON
4	(ON)	OFF	(ON)
5	ON	OFF	(ON)
Terminals	2-3	-	2-1



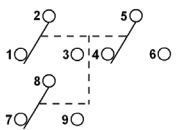
DPDT



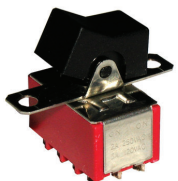
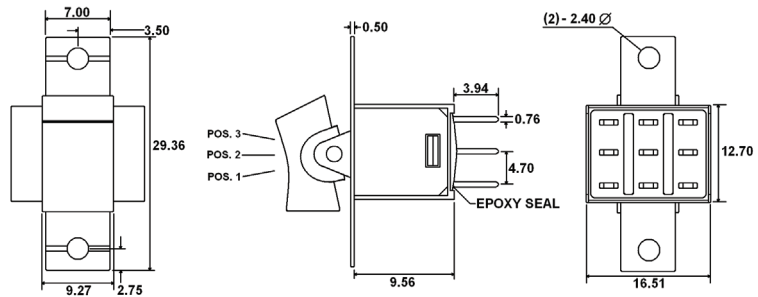
Function	Rocker Position		
1	ON	NONE	ON
2	ON	NONE (ON)	
3	ON	OFF	ON
4	(ON)	OFF	(ON)
5	ON	OFF	(ON)
Terminals	2-3 5-6	-	2-1 5-4
6	ON	ON	ON
Terminals	2-3 5-6	2-3 5-4	2-1 5-4



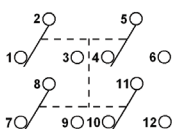
3PDT



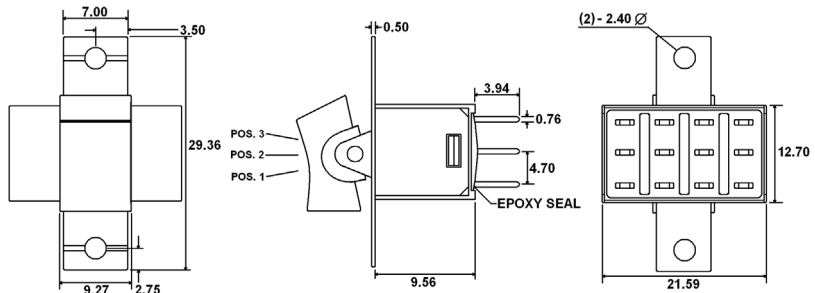
Function	Rocker Position		
1	ON	NONE	ON
2	ON	NONE (ON)	
3	ON	OFF	ON
4	(ON)	OFF	(ON)
5	ON	OFF	(ON)
Terminals	2-3 5-6 8-9	-	2-1 5-4 8-7



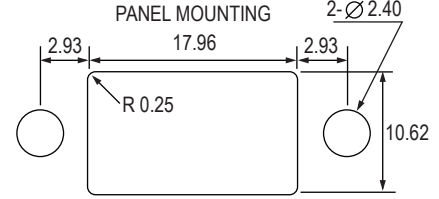
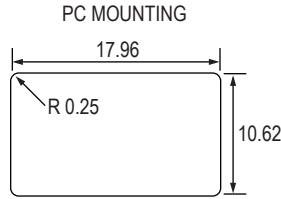
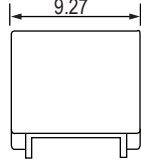
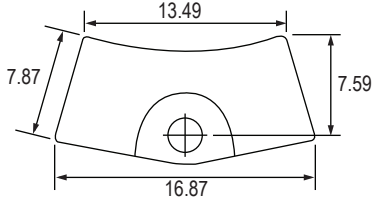
4PDT



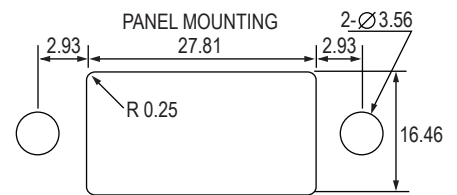
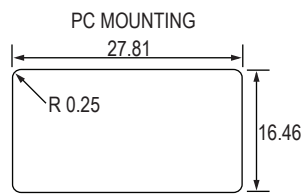
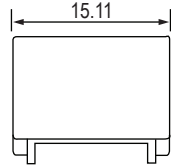
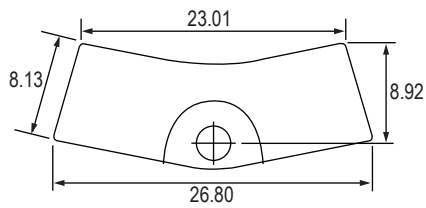
Function	Rocker Position		
1	ON	NONE	ON
2	ON	NONE (ON)	
3	ON	OFF	ON
4	(ON)	OFF	(ON)
5	ON	OFF	(ON)
Terminals	2-3 5-6 8-9 11-12	-	2-1 5-4 8-7 11-10
6	ON	ON	ON
Terminals	2-3 5-6 8-9 11-12	2-3 5-4 8-9 11-10	2-1 5-4 8-7 11-10



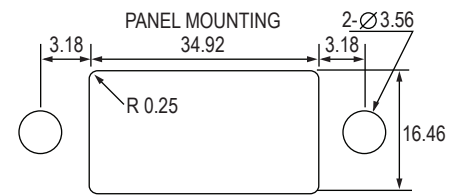
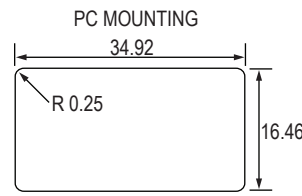
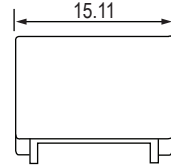
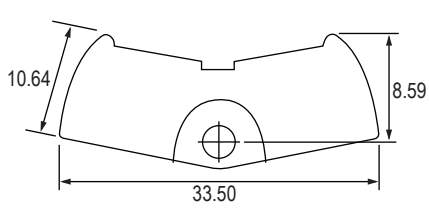
Actuator Options - PC mount & Panel mount



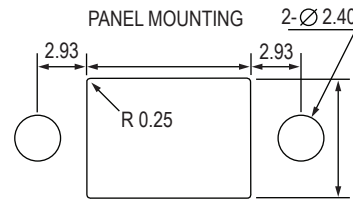
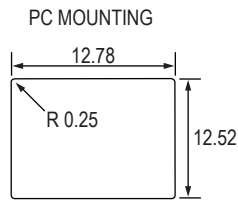
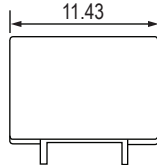
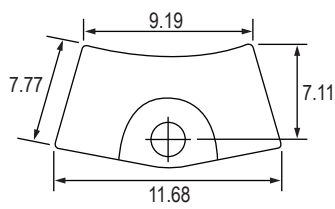
R11P / R11



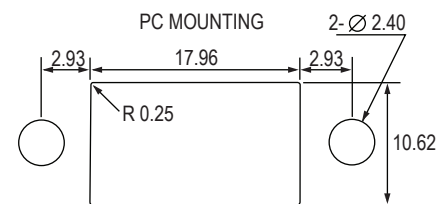
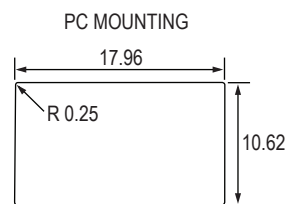
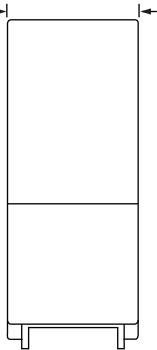
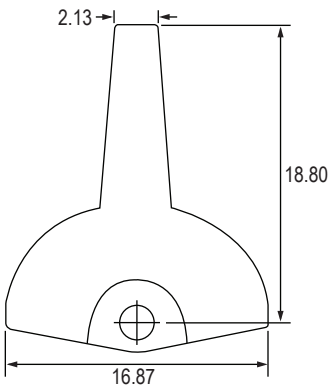
R15P / R15



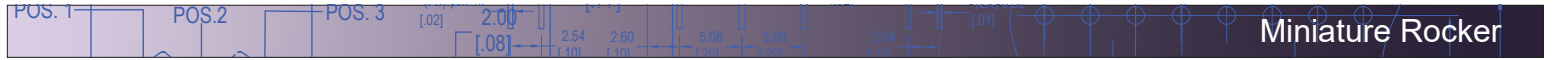
R19P / R19



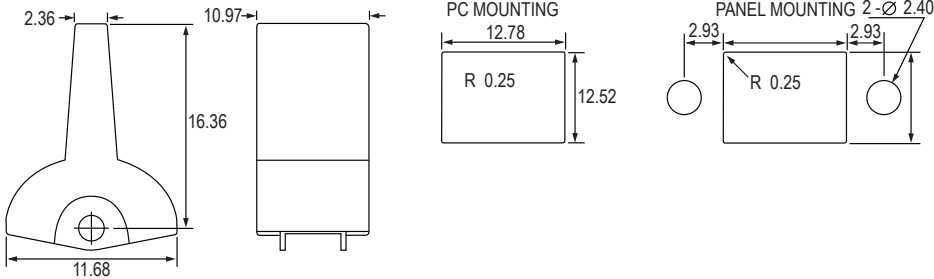
R21P / R21



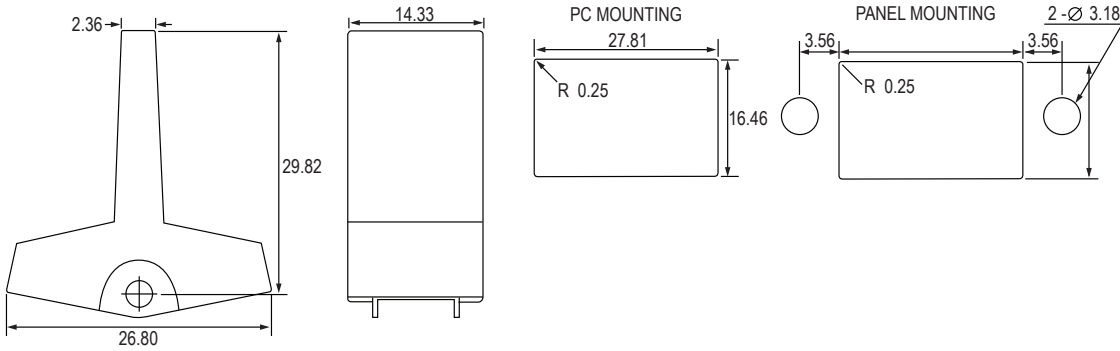
P13P / P13



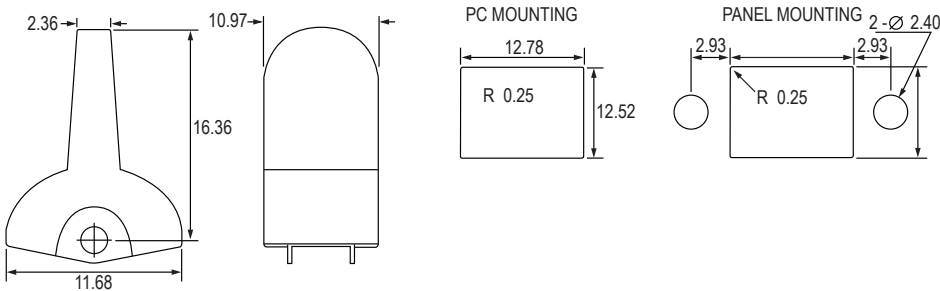
Actuator Options - PC mount & Panel mount



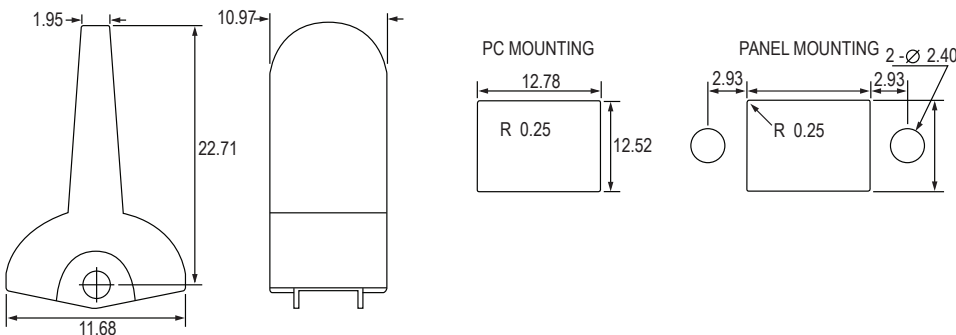
P23P / P23



P43P / P43

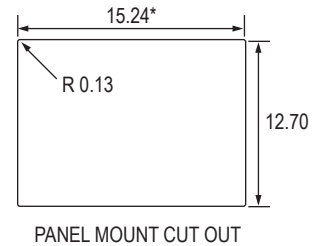
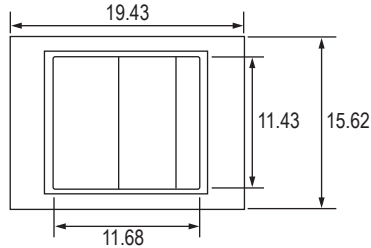
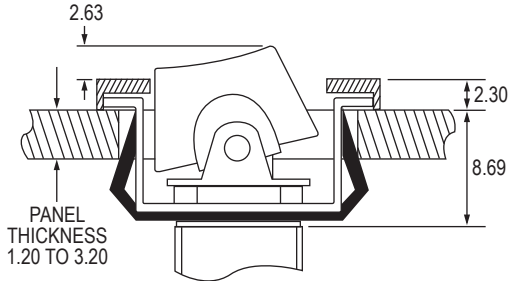


P47P / P47

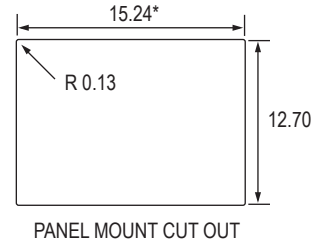
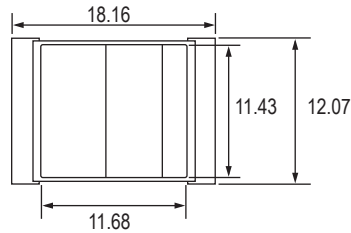


P48P / P48

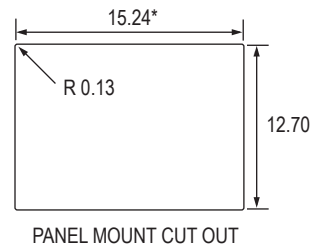
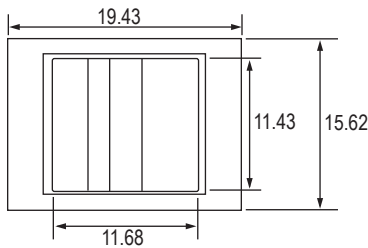
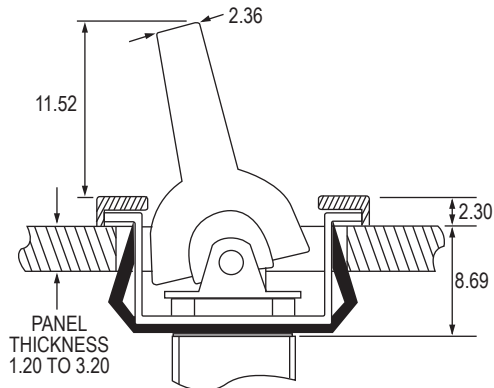
Actuator Options - Snap-In Panel mount



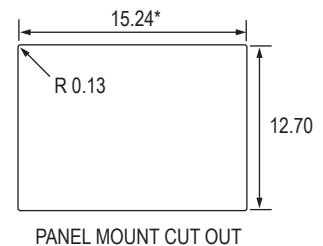
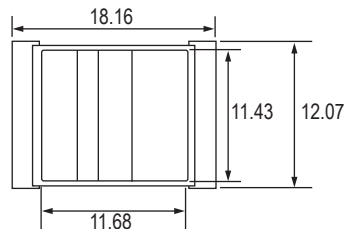
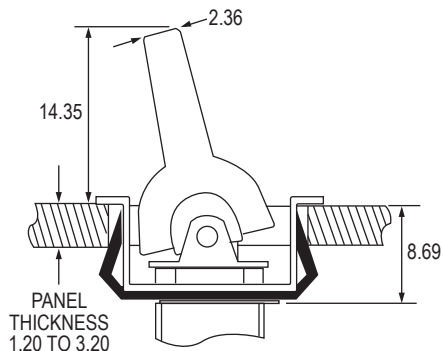
R12 - Increase the length dimension to 15.75/15.88 for 1.5/3.20 thick panels



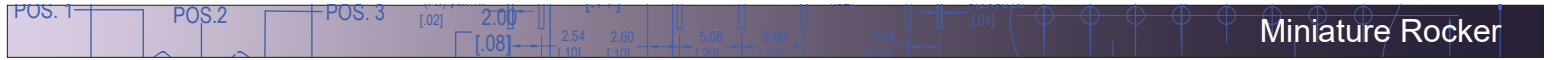
R22 - Increase the length dimension to 15.75/15.88 for 1.5/3.20 thick panels



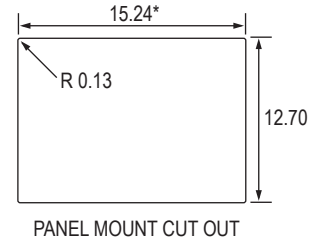
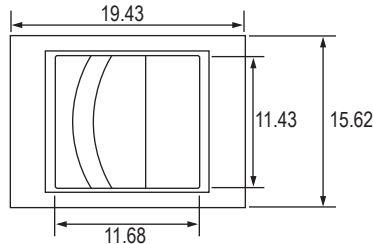
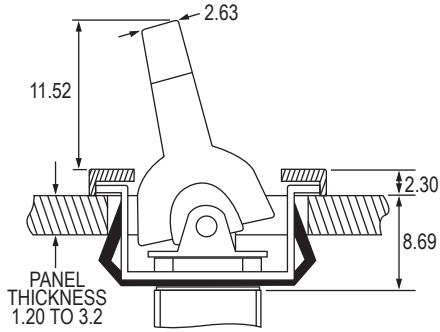
P14 - Increase the length dimension to 15.75/15.88 for 1.5/3.20 thick panels



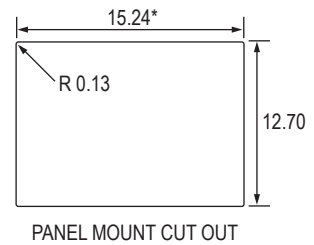
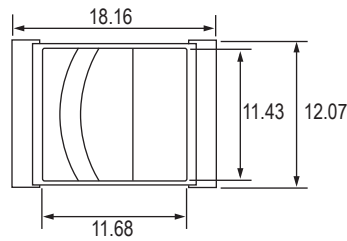
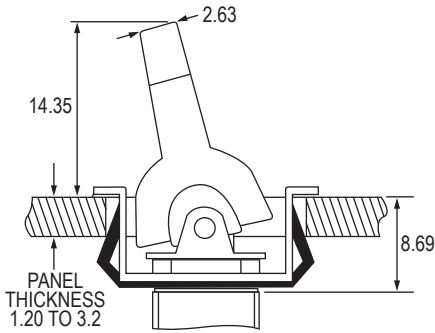
P24 - Increase the length dimension to 15.75/15.88 for 1.5/3.20 thick panels



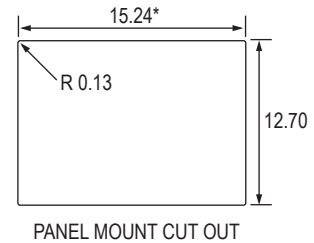
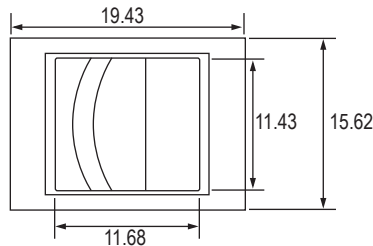
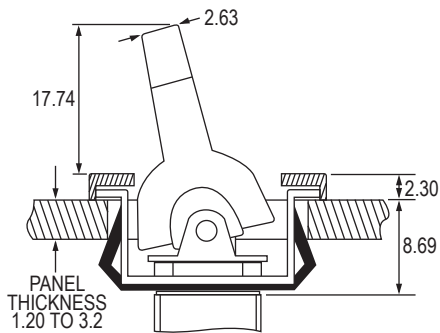
Actuator Options - Snap-In Panel mount



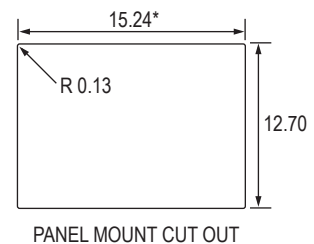
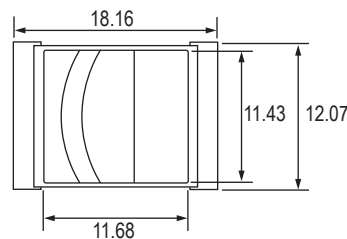
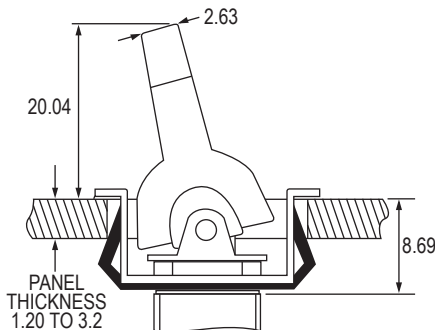
P17 - Increase the length dimension to 15.75/15.88 for 1.5/3.20 thick panels



P27 - Increase the length dimension to 15.75/15.88 for 1.5/3.20 thick panels

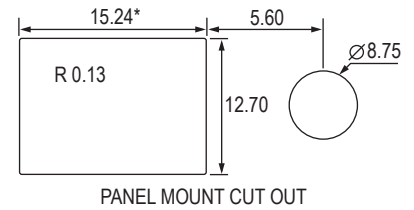
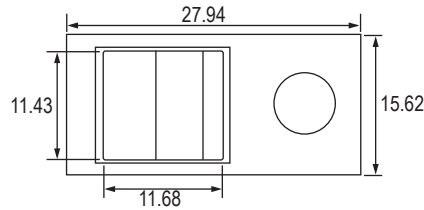
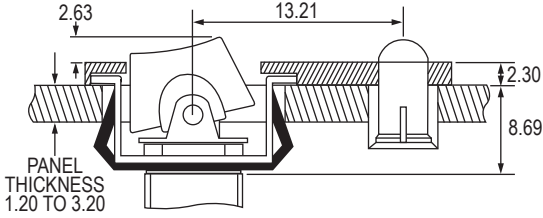


P18 - Increase the length dimension to 15.75/15.88 for 1.5/3.20 thick panels

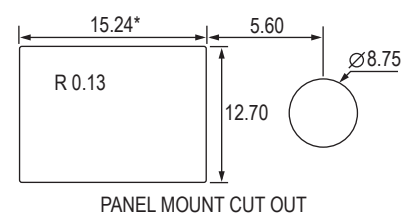
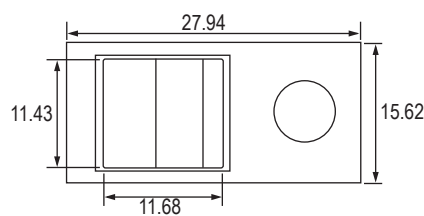
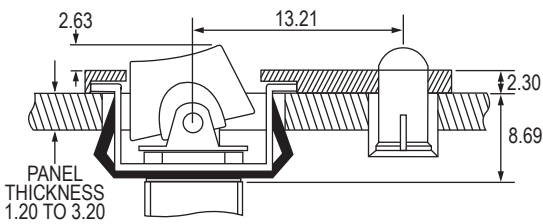


P28 - Increase the length dimension to 15.75/15.88 for 1.5/3.20 thick panels

Actuator Options - Snap-In Panel mount

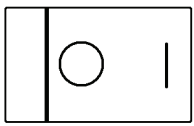


R51R - Increase the length dimension to 15.75/15.88 for 1.5/3.20 thick panels

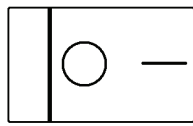


P53R - Increase the length dimension to 15.75/15.88 for 1.5/3.20 thick panels

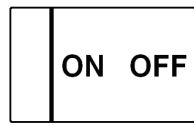
Actuator Markings



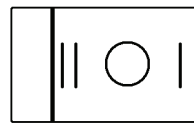
A



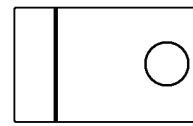
B



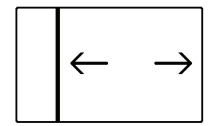
C



D

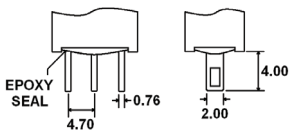


E

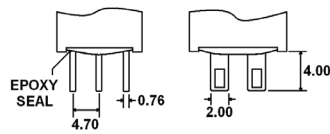


F

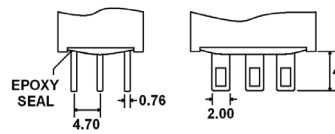
Terminal Options



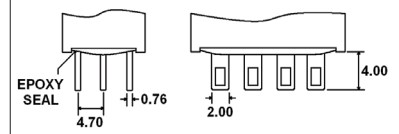
B Single Pole



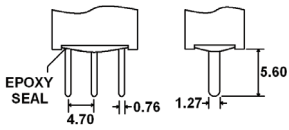
B Double Pole



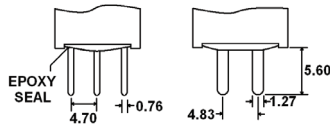
B 3Pole



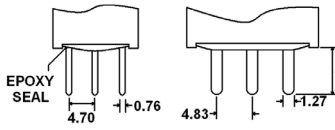
B 4Pole



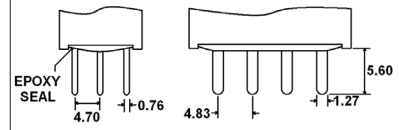
C Single Pole



C Double Pole



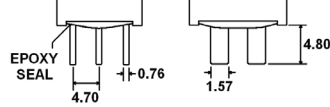
C 3Pole



C 4Pole



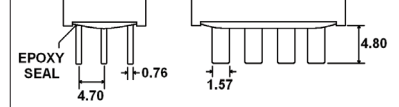
D Single Pole



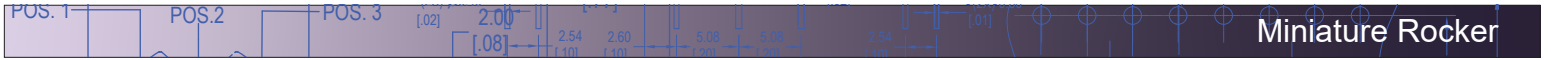
D Double Pole



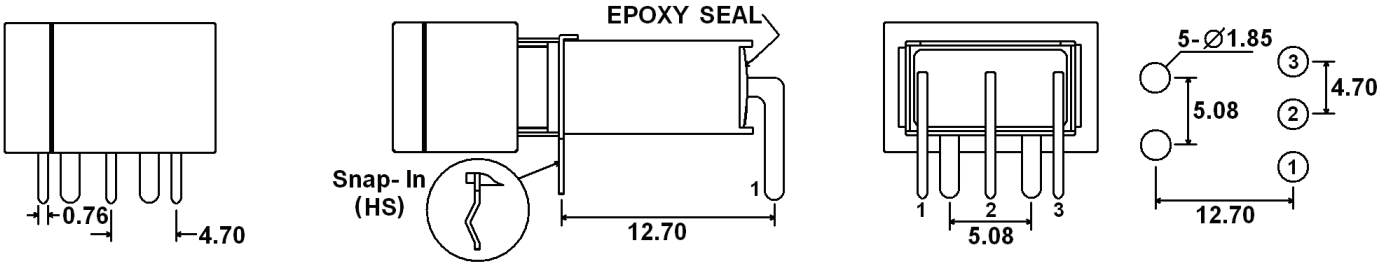
D 3Pole



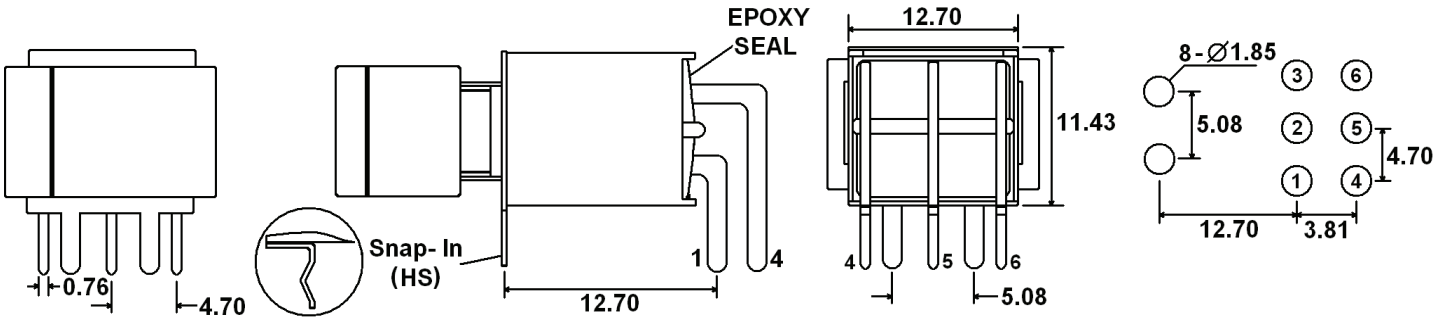
D 4Pole



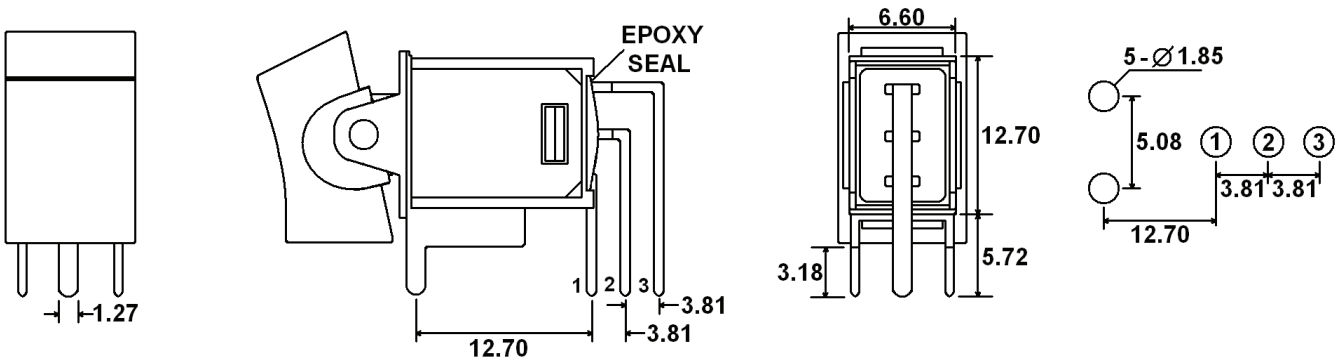
Terminal Options



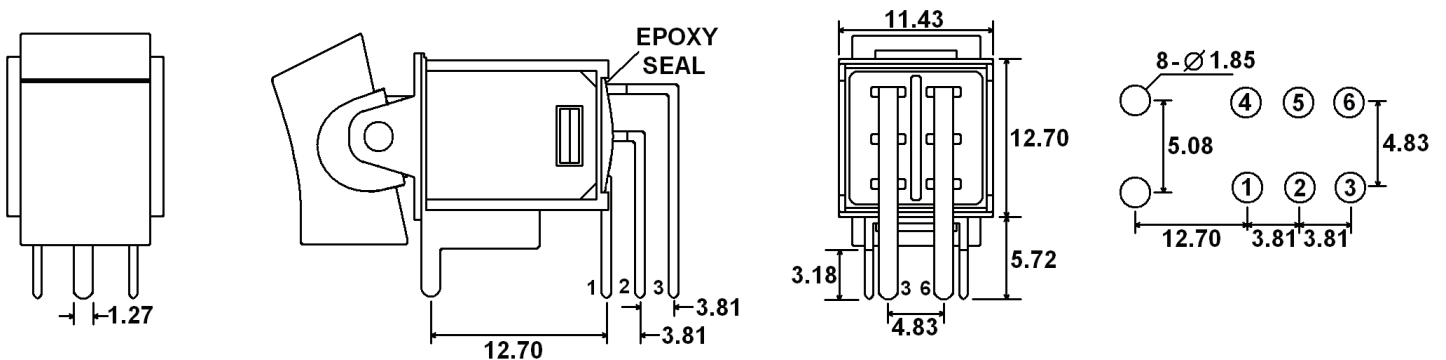
H (HS - Snap In) = Horizontal mount, right angle PC pins, single pole



H (HS - Snap In) = Horizontal mount, right angle PC pins, double pole

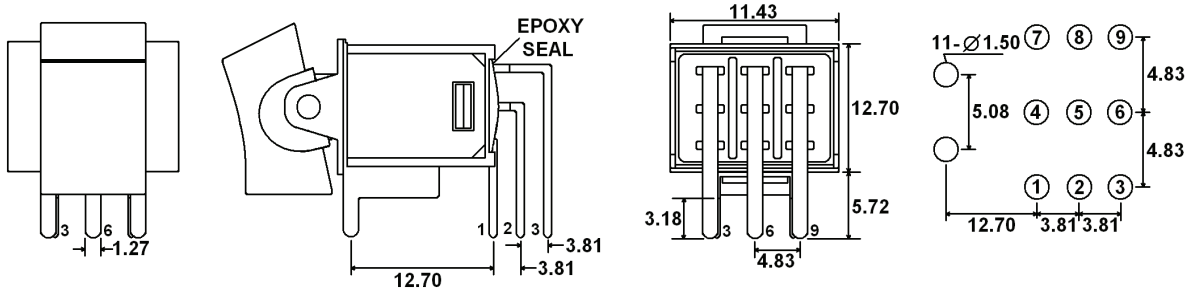


V = Vertical mount, right angle PC pins, single pole

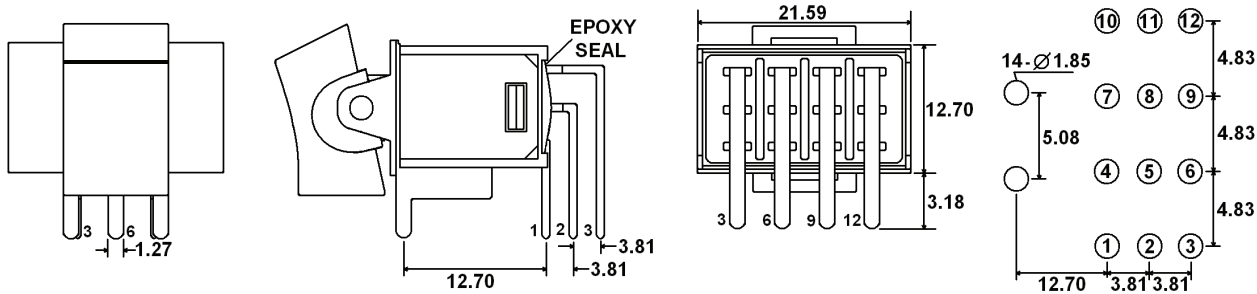


V = Vertical mount, right angle PC pins, double pole

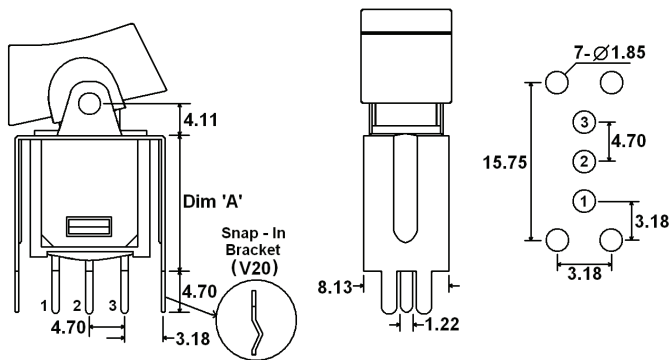
Terminal Options



V = Vertical mount, right angle PC pins, three pole

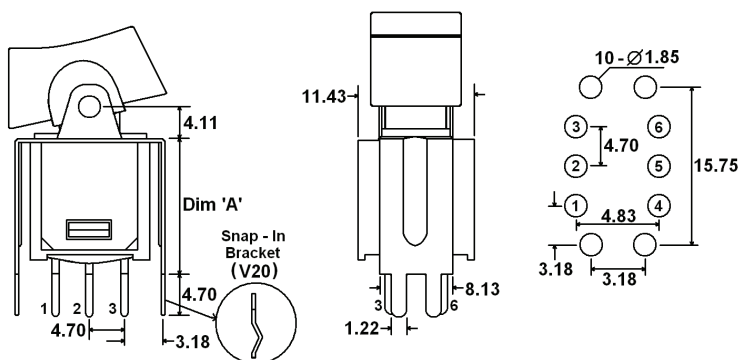


V = Vertical mount, right angle PC pins, four pole



Terminal Option	"A" Dimension
S20 / V20	11.68
S25 / V25	16.00

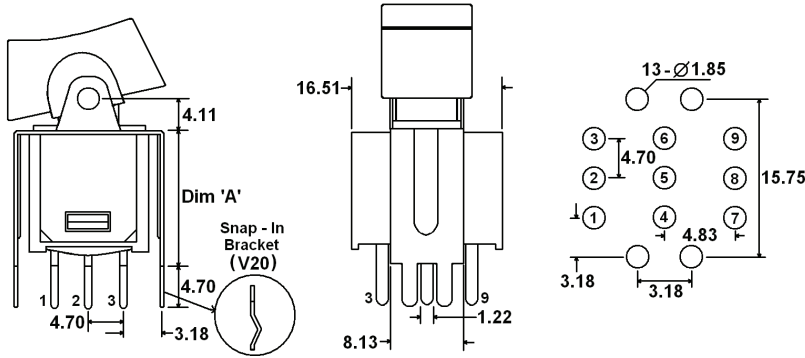
S20/25 (V20/25 - Snap In) = PC pins with support bracket, single pole



Terminal Option	"A" Dimension
S20 / V20	11.68
S25 / V25	16.00

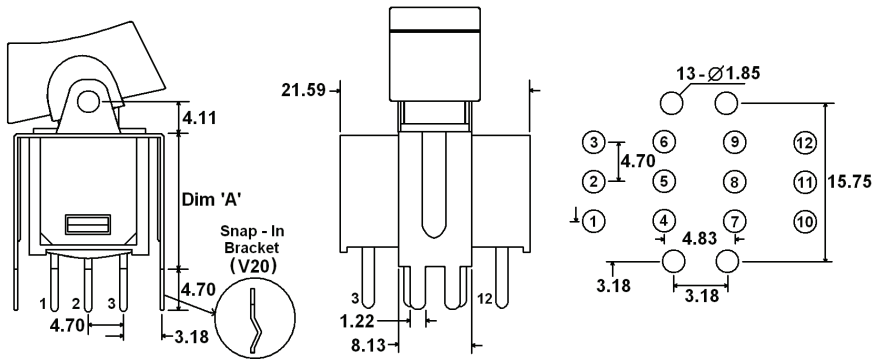
S20/25 (V20/25 - Snap In) = PC pins with support bracket, double pole

Terminal Options



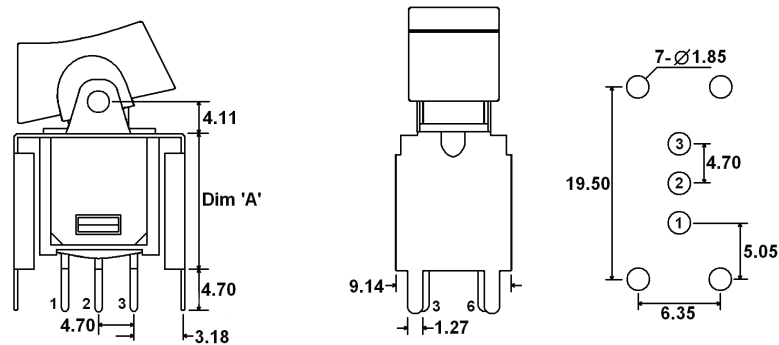
Terminal Option	"A" Dimension
S20 / V20	11.68
S25 / V25	16.00

S20/25 (V20/25 - Snap In) = PC pins with support bracket, three pole



Terminal Option	"A" Dimension
S20 / V20	11.68
S25 / V25	16.00

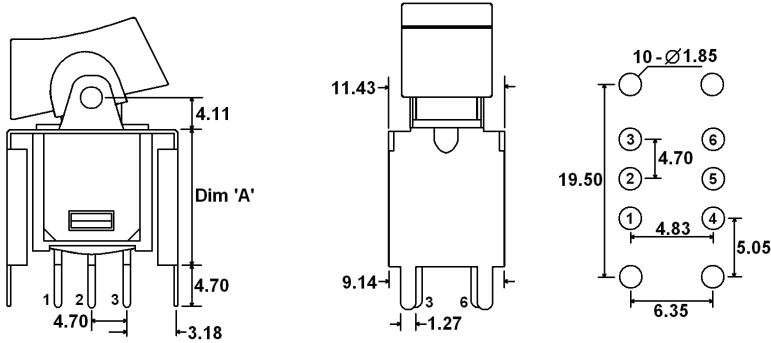
S20/25 (V20/25 - Snap In) = PC pins with support bracket, four pole



Terminal Option	"A" Dimension
S35	11.68
S40	16.00

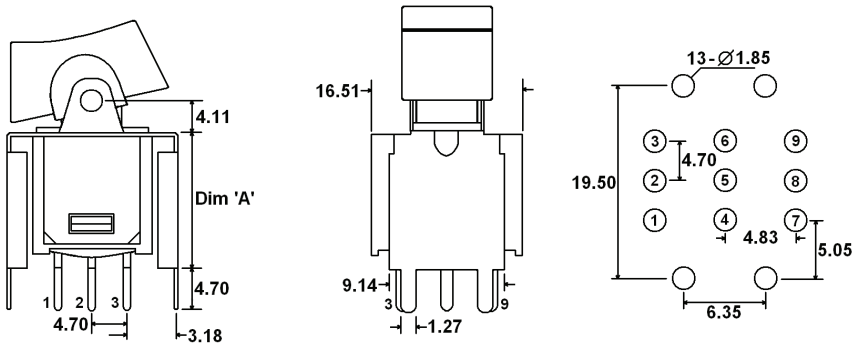
S40 (V40 - Snap In) = PC pins with support bracket, single pole

Terminal Options



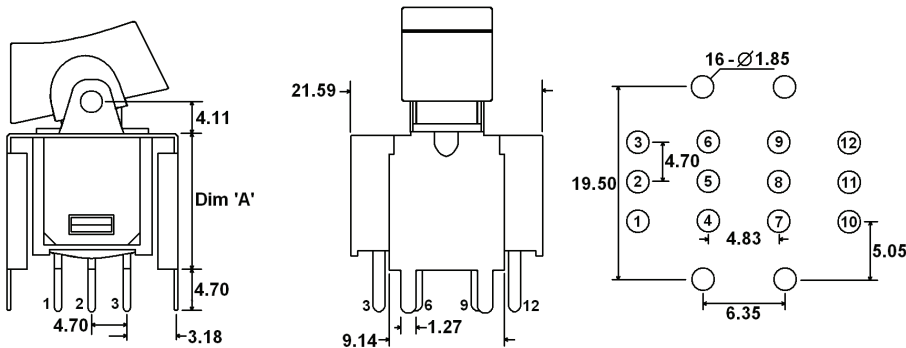
Terminal Option	"A" Dimension
S35	11.68
S40	16.00

S40 (V40 - Snap In) = PC pins with support bracket, double pole



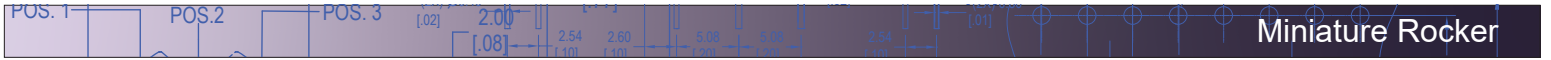
Terminal Option	"A" Dimension
S35	11.68
S40	16.00

S40 (V40 - Snap In) = PC pins with support bracket, three pole



Terminal Option	"A" Dimension
S35	11.68
S40	16.00

S40 (V40 - Snap In) = PC pins with support bracket, four pole



Contact Options

Designator	Contact Material	Terminal Material	Electrical Ratings
Q	Silver Plating	Silver Plating	5A @ 120VAC, 28VDC; 2A @ 250VAC
R	Gold over Nickel Plating	Gold over Nickel Plating	0.4VA max @ 20VAC or VDC max
G	Gold over Silver Plating	Gold over Silver Plateing	0.4VA max @ 20VAC or VDC max or 5A @ 120VAC, 28VDC; 2A @ 250VAC

Three Way Wiring Diagram

