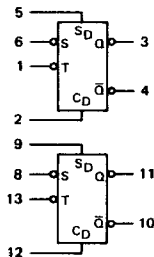


MC978 • MC878



Available in TO-86 Flat Package, Add F Suffix.

The type "D" Flip-Flop is a storage element that stores the state of the S input during negative transitions of the T input. The flip-flop state is not affected by changes in the S input during either the low or the high state of the T input. S_D and C_D inputs may be used for asynchronous operation.



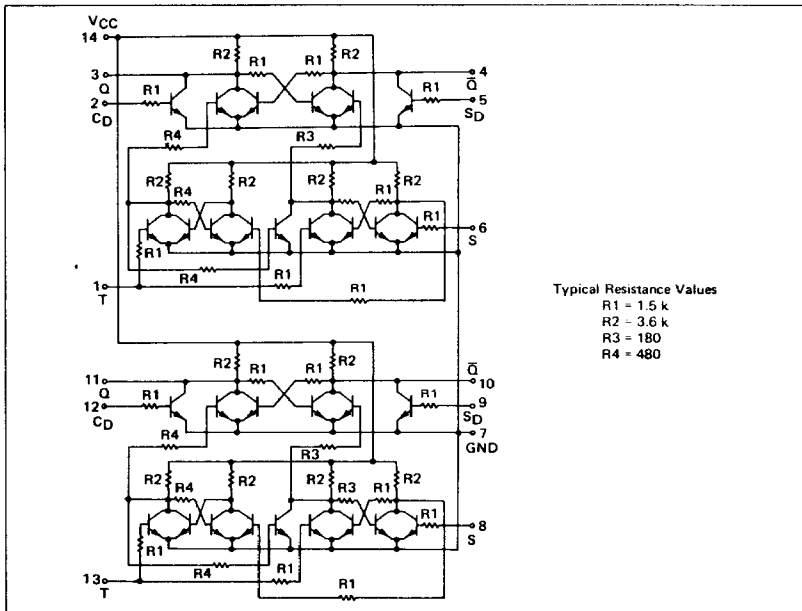
DIRECT INPUT OPERATION (1)

S_D	C_D	Q	\bar{Q}
0	0	0	1
1	0	1	0
0	1	0	1
1	1	0	0

CLOCKED INPUT OPERATION (2)

t_n	t_{n+1}	Q	\bar{Q}
S	Q	Q	Q
1	1	0	1
0	0	1	0

1. Clock (T input) must be high.
2. The output state will not change when the input state goes from $S_D = \bar{C}_D$ to $S_C = C_C = 0$. The output state cannot be predetermined in the case when the input goes from $S_D = C_D = 1$ to $S_D = C_D = 0$.
3. Direct inputs (S_D and C_D) must be low.
4. The time period prior to the negative transition of the clock pulse is denoted t_n and the time period subsequent to this transition is denoted t_{n+1} .



Typical Resistance Values

- R1 = 1.5 k
- R2 = 3.6 k
- R3 = 180
- R4 = 480

46

MC978, MC878 (continued)

ELECTRICAL CHARACTERISTICS

Test procedures are shown for one flip-flop only. The other flip-flop is tested in the same manner.

Characteristic	Symbol	Pin Under Test	TEST VOLTAGE VALUES (Volts)																																																																																																																																																																																																																																																																																																																										
			@Test Temperature						TEST VOLTAGE APPLIED TO PINS LISTED BELOW																																																																																																																																																																																																																																																																																																																				
			V _{in}	V _{em}	V _{BOT}	V _{eff}	V _{CC}	V _{LL}	V _{in}	V _{em}	V _{BOT}	V _{eff}	V _{CC}	V _{LL}																																																																																																																																																																																																																																																																																																															
Input Current	1.8 I _{in}	1	<table border="1"> <thead> <tr> <th rowspan="2">MC978</th> <th colspan="3">Test Limits</th> <th colspan="3">MC878</th> <th colspan="3">Test Limits</th> <th colspan="3">MC978</th> <th colspan="3">Test Limits</th> </tr> <tr> <th>-55°C</th> <th>+25°C</th> <th>+125°C</th> <th>0°C</th> <th>+25°C</th> <th>+75°C</th> <th>0°C</th> <th>+25°C</th> <th>+75°C</th> <th>-55°C</th> <th>+25°C</th> <th>+125°C</th> <th>0°C</th> <th>+25°C</th> <th>+75°C</th> </tr> <tr> <th>Min</th> <th>Max</th> <th>Min</th> <th>Max</th> <th>Min</th> <th>Max</th> <th>Min</th> <th>Max</th> <th>Min</th> <th>Max</th> <th>Min</th> <th>Max</th> <th>Min</th> <th>Max</th> <th>Min</th> <th>Max</th> </tr> </thead> <tbody> <tr> <td>1</td> <td>225</td> <td>234</td> <td>198</td> <td>270</td> <td>252</td> <td>232</td> <td>270</td> <td>252</td> <td>232</td> <td>230</td> <td>234</td> <td>198</td> <td>270</td> <td>252</td> <td>232</td> </tr> <tr> <td>1.8 I_{in}</td> <td>225</td> <td>234</td> <td>198</td> <td>270</td> <td>252</td> <td>232</td> <td>270</td> <td>252</td> <td>232</td> <td>230</td> <td>234</td> <td>198</td> <td>270</td> <td>252</td> <td>232</td> </tr> <tr> <td>2*</td> <td>125</td> <td>130</td> <td>110</td> <td>150</td> <td>140</td> <td>140</td> <td>150</td> <td>140</td> <td>140</td> <td>140</td> <td>140</td> <td>110</td> <td>150</td> <td>140</td> <td>140</td> </tr> <tr> <td>5*</td> <td>↑</td> <td>↑</td> <td>↑</td> <td>↑</td> <td>↑</td> <td>↑</td> <td>↑</td> <td>↑</td> <td>↑</td> <td>↑</td> <td>↑</td> <td>↑</td> <td>↑</td> <td>↑</td> <td>↑</td> </tr> <tr> <td>6*</td> <td>↑</td> <td>↑</td> <td>↑</td> <td>↑</td> <td>↑</td> <td>↑</td> <td>↑</td> <td>↑</td> <td>↑</td> <td>↑</td> <td>↑</td> <td>↑</td> <td>↑</td> <td>↑</td> <td>↑</td> </tr> </tbody> </table>												MC978	Test Limits			MC878			Test Limits			MC978			Test Limits			-55°C	+25°C	+125°C	0°C	+25°C	+75°C	0°C	+25°C	+75°C	-55°C	+25°C	+125°C	0°C	+25°C	+75°C	Min	Max	Min	Max	Min	Max	Min	Max	Min	Max	Min	Max	Min	Max	Min	Max	1	225	234	198	270	252	232	270	252	232	230	234	198	270	252	232	1.8 I _{in}	225	234	198	270	252	232	270	252	232	230	234	198	270	252	232	2*	125	130	110	150	140	140	150	140	140	140	140	110	150	140	140	5*	↑	↑	↑	↑	↑	↑	↑	↑	↑	↑	↑	↑	↑	↑	↑	6*	↑	↑	↑	↑	↑	↑	↑	↑	↑	↑	↑	↑	↑	↑	↑																																																																																																																																																																																
MC978	Test Limits			MC878			Test Limits			MC978			Test Limits																																																																																																																																																																																																																																																																																																																
	-55°C	+25°C	+125°C	0°C	+25°C	+75°C	0°C	+25°C	+75°C	-55°C	+25°C	+125°C	0°C	+25°C	+75°C																																																																																																																																																																																																																																																																																																														
Min	Max	Min	Max	Min	Max	Min	Max	Min	Max	Min	Max	Min	Max	Min	Max																																																																																																																																																																																																																																																																																																														
1	225	234	198	270	252	232	270	252	232	230	234	198	270	252	232																																																																																																																																																																																																																																																																																																														
1.8 I _{in}	225	234	198	270	252	232	270	252	232	230	234	198	270	252	232																																																																																																																																																																																																																																																																																																														
2*	125	130	110	150	140	140	150	140	140	140	140	110	150	140	140																																																																																																																																																																																																																																																																																																														
5*	↑	↑	↑	↑	↑	↑	↑	↑	↑	↑	↑	↑	↑	↑	↑																																																																																																																																																																																																																																																																																																														
6*	↑	↑	↑	↑	↑	↑	↑	↑	↑	↑	↑	↑	↑	↑	↑																																																																																																																																																																																																																																																																																																														
Output Current	I _{A3}	3	<table border="1"> <thead> <tr> <th rowspan="2">MC978</th> <th colspan="3">Test Limits</th> <th colspan="3">MC878</th> <th colspan="3">Test Limits</th> <th colspan="3">MC978</th> <th colspan="3">Test Limits</th> </tr> <tr> <th>-55°C</th> <th>+25°C</th> <th>+125°C</th> <th>0°C</th> <th>+25°C</th> <th>+75°C</th> <th>0°C</th> <th>+25°C</th> <th>+75°C</th> <th>-55°C</th> <th>+25°C</th> <th>+125°C</th> <th>0°C</th> <th>+25°C</th> <th>+75°C</th> </tr> <tr> <th>Min</th> <th>Max</th> <th>Min</th> <th>Max</th> <th>Min</th> <th>Max</th> <th>Min</th> <th>Max</th> <th>Min</th> <th>Max</th> <th>Min</th> <th>Max</th> <th>Min</th> <th>Max</th> <th>Min</th> <th>Max</th> </tr> </thead> <tbody> <tr> <td>3</td> <td>350</td> <td>364</td> <td>308</td> <td>420</td> <td>430</td> <td>395</td> <td>420</td> <td>430</td> <td>395</td> <td>350</td> <td>350</td> <td>308</td> <td>420</td> <td>430</td> <td>395</td> </tr> <tr> <td>3*</td> <td>↑</td> <td>↑</td> <td>↑</td> <td>↑</td> <td>↑</td> <td>↑</td> <td>↑</td> <td>↑</td> <td>↑</td> <td>↑</td> <td>↑</td> <td>↑</td> <td>↑</td> <td>↑</td> <td>↑</td> </tr> <tr> <td>4*</td> <td>↑</td> <td>↑</td> <td>↑</td> <td>↑</td> <td>↑</td> <td>↑</td> <td>↑</td> <td>↑</td> <td>↑</td> <td>↑</td> <td>↑</td> <td>↑</td> <td>↑</td> <td>↑</td> <td>↑</td> </tr> <tr> <td>3</td> <td>620</td> <td>300</td> <td>220</td> <td>400</td> <td>350</td> <td>300</td> <td>400</td> <td>350</td> <td>300</td> <td>300</td> <td>300</td> <td>220</td> <td>400</td> <td>350</td> <td>300</td> </tr> <tr> <td>V_{out}</td> <td>↑</td> <td>↑</td> <td>↑</td> <td>↑</td> <td>↑</td> <td>↑</td> <td>↑</td> <td>↑</td> <td>↑</td> <td>↑</td> <td>↑</td> <td>↑</td> <td>↑</td> <td>↑</td> <td>↑</td> </tr> <tr> <td>4</td> <td>↑</td> <td>↑</td> <td>↑</td> <td>↑</td> <td>↑</td> <td>↑</td> <td>↑</td> <td>↑</td> <td>↑</td> <td>↑</td> <td>↑</td> <td>↑</td> <td>↑</td> <td>↑</td> <td>↑</td> </tr> <tr> <td>3</td> <td>220</td> <td>220</td> <td>220</td> <td>450</td> <td>400</td> <td>350</td> <td>450</td> <td>400</td> <td>350</td> <td>350</td> <td>350</td> <td>220</td> <td>450</td> <td>400</td> <td>350</td> </tr> <tr> <td>V_{CE(sat)}</td> <td>↑</td> <td>↑</td> <td>↑</td> <td>↑</td> <td>↑</td> <td>↑</td> <td>↑</td> <td>↑</td> <td>↑</td> <td>↑</td> <td>↑</td> <td>↑</td> <td>↑</td> <td>↑</td> <td>↑</td> </tr> <tr> <td>3*</td> <td>↑</td> <td>↑</td> <td>↑</td> <td>↑</td> <td>↑</td> <td>↑</td> <td>↑</td> <td>↑</td> <td>↑</td> <td>↑</td> <td>↑</td> <td>↑</td> <td>↑</td> <td>↑</td> <td>↑</td> </tr> <tr> <td>3†</td> <td>↑</td> <td>↑</td> <td>↑</td> <td>↑</td> <td>↑</td> <td>↑</td> <td>↑</td> <td>↑</td> <td>↑</td> <td>↑</td> <td>↑</td> <td>↑</td> <td>↑</td> <td>↑</td> <td>↑</td> </tr> <tr> <td>3††</td> <td>↑</td> <td>↑</td> <td>↑</td> <td>↑</td> <td>↑</td> <td>↑</td> <td>↑</td> <td>↑</td> <td>↑</td> <td>↑</td> <td>↑</td> <td>↑</td> <td>↑</td> <td>↑</td> <td>↑</td> </tr> <tr> <td>4</td> <td>↑</td> <td>↑</td> <td>↑</td> <td>↑</td> <td>↑</td> <td>↑</td> <td>↑</td> <td>↑</td> <td>↑</td> <td>↑</td> <td>↑</td> <td>↑</td> <td>↑</td> <td>↑</td> <td>↑</td> </tr> <tr> <td>4†</td> <td>↑</td> <td>↑</td> <td>↑</td> <td>↑</td> <td>↑</td> <td>↑</td> <td>↑</td> <td>↑</td> <td>↑</td> <td>↑</td> <td>↑</td> <td>↑</td> <td>↑</td> <td>↑</td> <td>↑</td> </tr> <tr> <td>4††</td> <td>↑</td> <td>↑</td> <td>↑</td> <td>↑</td> <td>↑</td> <td>↑</td> <td>↑</td> <td>↑</td> <td>↑</td> <td>↑</td> <td>↑</td> <td>↑</td> <td>↑</td> <td>↑</td> <td>↑</td> </tr> <tr> <td>4†††</td> <td>↑</td> <td>↑</td> <td>↑</td> <td>↑</td> <td>↑</td> <td>↑</td> <td>↑</td> <td>↑</td> <td>↑</td> <td>↑</td> <td>↑</td> <td>↑</td> <td>↑</td> <td>↑</td> <td>↑</td> </tr> <tr> <td>14</td> <td>↑</td> <td>↑</td> <td>↑</td> <td>↑</td> <td>↑</td> <td>↑</td> <td>↑</td> <td>↑</td> <td>↑</td> <td>↑</td> <td>↑</td> <td>↑</td> <td>↑</td> <td>↑</td> <td>↑</td> </tr> </tbody> </table>												MC978	Test Limits			MC878			Test Limits			MC978			Test Limits			-55°C	+25°C	+125°C	0°C	+25°C	+75°C	0°C	+25°C	+75°C	-55°C	+25°C	+125°C	0°C	+25°C	+75°C	Min	Max	Min	Max	Min	Max	Min	Max	Min	Max	Min	Max	Min	Max	Min	Max	3	350	364	308	420	430	395	420	430	395	350	350	308	420	430	395	3*	↑	↑	↑	↑	↑	↑	↑	↑	↑	↑	↑	↑	↑	↑	↑	4*	↑	↑	↑	↑	↑	↑	↑	↑	↑	↑	↑	↑	↑	↑	↑	3	620	300	220	400	350	300	400	350	300	300	300	220	400	350	300	V _{out}	↑	↑	↑	↑	↑	↑	↑	↑	↑	↑	↑	↑	↑	↑	↑	4	↑	↑	↑	↑	↑	↑	↑	↑	↑	↑	↑	↑	↑	↑	↑	3	220	220	220	450	400	350	450	400	350	350	350	220	450	400	350	V _{CE(sat)}	↑	↑	↑	↑	↑	↑	↑	↑	↑	↑	↑	↑	↑	↑	↑	3*	↑	↑	↑	↑	↑	↑	↑	↑	↑	↑	↑	↑	↑	↑	↑	3†	↑	↑	↑	↑	↑	↑	↑	↑	↑	↑	↑	↑	↑	↑	↑	3††	↑	↑	↑	↑	↑	↑	↑	↑	↑	↑	↑	↑	↑	↑	↑	4	↑	↑	↑	↑	↑	↑	↑	↑	↑	↑	↑	↑	↑	↑	↑	4†	↑	↑	↑	↑	↑	↑	↑	↑	↑	↑	↑	↑	↑	↑	↑	4††	↑	↑	↑	↑	↑	↑	↑	↑	↑	↑	↑	↑	↑	↑	↑	4†††	↑	↑	↑	↑	↑	↑	↑	↑	↑	↑	↑	↑	↑	↑	↑	14	↑	↑	↑	↑	↑	↑	↑	↑	↑	↑	↑	↑	↑	↑	↑
MC978	Test Limits			MC878			Test Limits			MC978			Test Limits																																																																																																																																																																																																																																																																																																																
	-55°C	+25°C	+125°C	0°C	+25°C	+75°C	0°C	+25°C	+75°C	-55°C	+25°C	+125°C	0°C	+25°C	+75°C																																																																																																																																																																																																																																																																																																														
Min	Max	Min	Max	Min	Max	Min	Max	Min	Max	Min	Max	Min	Max	Min	Max																																																																																																																																																																																																																																																																																																														
3	350	364	308	420	430	395	420	430	395	350	350	308	420	430	395																																																																																																																																																																																																																																																																																																														
3*	↑	↑	↑	↑	↑	↑	↑	↑	↑	↑	↑	↑	↑	↑	↑																																																																																																																																																																																																																																																																																																														
4*	↑	↑	↑	↑	↑	↑	↑	↑	↑	↑	↑	↑	↑	↑	↑																																																																																																																																																																																																																																																																																																														
3	620	300	220	400	350	300	400	350	300	300	300	220	400	350	300																																																																																																																																																																																																																																																																																																														
V _{out}	↑	↑	↑	↑	↑	↑	↑	↑	↑	↑	↑	↑	↑	↑	↑																																																																																																																																																																																																																																																																																																														
4	↑	↑	↑	↑	↑	↑	↑	↑	↑	↑	↑	↑	↑	↑	↑																																																																																																																																																																																																																																																																																																														
3	220	220	220	450	400	350	450	400	350	350	350	220	450	400	350																																																																																																																																																																																																																																																																																																														
V _{CE(sat)}	↑	↑	↑	↑	↑	↑	↑	↑	↑	↑	↑	↑	↑	↑	↑																																																																																																																																																																																																																																																																																																														
3*	↑	↑	↑	↑	↑	↑	↑	↑	↑	↑	↑	↑	↑	↑	↑																																																																																																																																																																																																																																																																																																														
3†	↑	↑	↑	↑	↑	↑	↑	↑	↑	↑	↑	↑	↑	↑	↑																																																																																																																																																																																																																																																																																																														
3††	↑	↑	↑	↑	↑	↑	↑	↑	↑	↑	↑	↑	↑	↑	↑																																																																																																																																																																																																																																																																																																														
4	↑	↑	↑	↑	↑	↑	↑	↑	↑	↑	↑	↑	↑	↑	↑																																																																																																																																																																																																																																																																																																														
4†	↑	↑	↑	↑	↑	↑	↑	↑	↑	↑	↑	↑	↑	↑	↑																																																																																																																																																																																																																																																																																																														
4††	↑	↑	↑	↑	↑	↑	↑	↑	↑	↑	↑	↑	↑	↑	↑																																																																																																																																																																																																																																																																																																														
4†††	↑	↑	↑	↑	↑	↑	↑	↑	↑	↑	↑	↑	↑	↑	↑																																																																																																																																																																																																																																																																																																														
14	↑	↑	↑	↑	↑	↑	↑	↑	↑	↑	↑	↑	↑	↑	↑																																																																																																																																																																																																																																																																																																														

Ground inputs of flip-flop not under test. Other pins not listed are left open.

* = Pin 5 Data Pulse a
 † = Pin 5 Data Pulse b
 †† = Pin 1 Clock Pulse a
 ††† = Pin 2 Data Pulse a
 See Figure 4

47

MC978, MC878 (continued)

FIGURE 1 - CLOCK PULSE DEFINITION

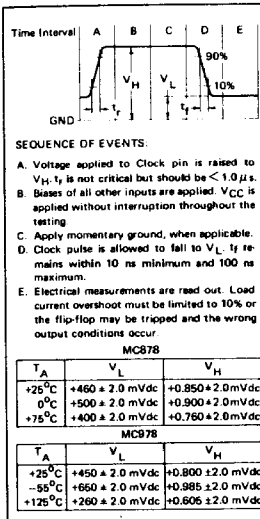


FIGURE 2 - SWITCHING TIMES TEST AND WAVEFORMS

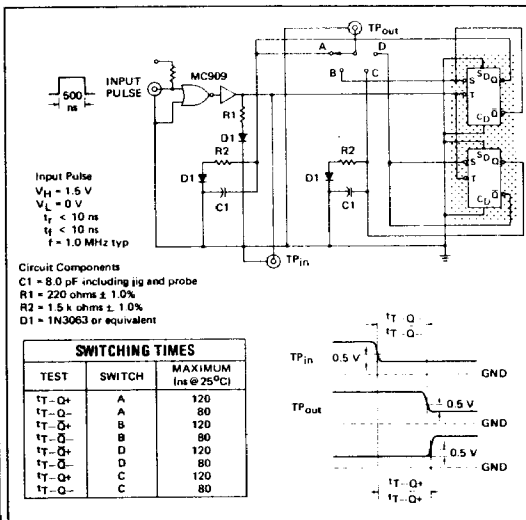


FIGURE 3A - SET UP AND RELEASE TIMES TEST CIRCUIT

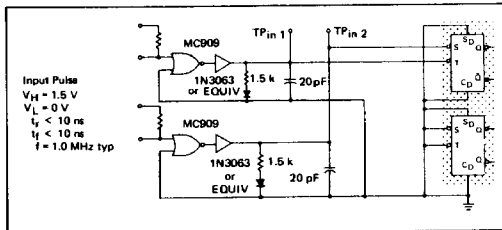


FIGURE 3B - INPUT PULSE WIDTHS FOR SET UP AND RELEASE TIMES

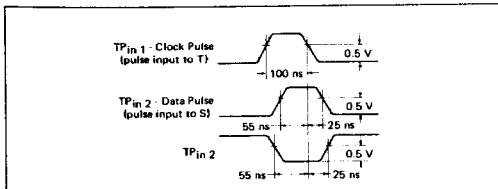
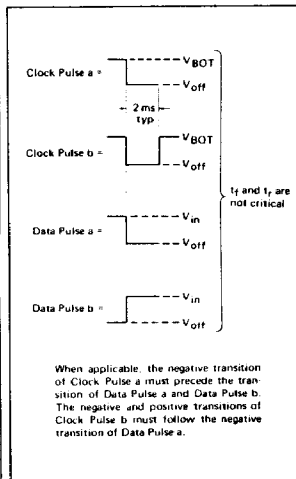


FIGURE 4 - CORRELATION OF CLOCK PULSE a & b AND DATA PULSE a & b



48

Specifications

External Memory Expansion Port (Port A)

Table 2-13 DRAM Out-of-Page and Refresh Timings, Four Wait States^{1, 2} (Continued)

No.	Characteristics ³	Symbol	Expression	20 MHz ⁴		30 MHz ⁴		Unit
				Min	Max	Min	Max	
162	$\overline{\text{RAS}}$ deassertion to $\overline{\text{RAS}}$ assertion	t_{RP}	$1.75 \times T_{\text{C}} - 4.0$	83.5	—	54.3	—	ns
163	$\overline{\text{RAS}}$ assertion pulse width	t_{RAS}	$3.25 \times T_{\text{C}} - 4.0$	158.5	—	104.3	—	ns
164	$\overline{\text{CAS}}$ assertion to $\overline{\text{RAS}}$ deassertion	t_{RSH}	$1.75 \times T_{\text{C}} - 4.0$	83.5	—	54.3	—	ns
165	$\overline{\text{RAS}}$ assertion to $\overline{\text{CAS}}$ deassertion	t_{CSH}	$2.75 \times T_{\text{C}} - 4.0$	133.5	—	87.7	—	ns
166	$\overline{\text{CAS}}$ assertion pulse width	t_{CAS}	$1.25 \times T_{\text{C}} - 4.0$	58.5	—	37.7	—	ns
167	$\overline{\text{RAS}}$ assertion to $\overline{\text{CAS}}$ assertion	t_{RCD}	$1.5 \times T_{\text{C}} \pm 2$	73.0	77.0	48.0	52.0	ns
168	$\overline{\text{RAS}}$ assertion to column address valid	t_{RAD}	$1.25 \times T_{\text{C}} \pm 2$	60.5	64.5	39.7	43.7	ns
169	$\overline{\text{CAS}}$ deassertion to $\overline{\text{RAS}}$ assertion	t_{CRP}	$2.25 \times T_{\text{C}} - 4.0$	108.5	—	71.0	—	ns
170	$\overline{\text{CAS}}$ deassertion pulse width	t_{CP}	$1.75 \times T_{\text{C}} - 4.0$	83.5	—	54.3	—	ns
171	Row address valid to $\overline{\text{RAS}}$ assertion	t_{ASR}	$1.75 \times T_{\text{C}} - 4.0$	83.5	—	54.3	—	ns
172	$\overline{\text{RAS}}$ assertion to row address not valid	t_{RAH}	$1.25 \times T_{\text{C}} - 4.0$	58.5	—	37.7	—	ns
173	Column address valid to $\overline{\text{CAS}}$ assertion	t_{ASC}	$0.25 \times T_{\text{C}} - 4.0$	8.5	—	4.3	—	ns
174	$\overline{\text{CAS}}$ assertion to column address not valid	t_{CAH}	$1.75 \times T_{\text{C}} - 4.0$	83.5	—	54.3	—	ns
175	$\overline{\text{RAS}}$ assertion to column address not valid	t_{AR}	$3.25 \times T_{\text{C}} - 4.0$	158.5	—	104.3	—	ns
176	Column address valid to $\overline{\text{RAS}}$ deassertion	t_{RAL}	$2 \times T_{\text{C}} - 4.0$	96.0	—	62.7	—	ns
177	$\overline{\text{WR}}$ deassertion to $\overline{\text{CAS}}$ assertion	t_{RCS}	$1.5 \times T_{\text{C}} - 3.8$	71.2	—	46.2	—	ns
178	$\overline{\text{CAS}}$ deassertion to $\overline{\text{WR}}$ assertion	t_{RCH}	$0.75 \times T_{\text{C}} - 3.7$	33.8	—	21.3	—	ns
179	$\overline{\text{RAS}}$ deassertion to $\overline{\text{WR}}$ assertion	t_{RRH}	$0.25 \times T_{\text{C}} - 3.7$	8.8	—	4.6	—	ns

Preliminary Data