

FEATURES

- Differential D, CLK and Q
- Extended 100E VEE range of -4.2V to -5.5V
- VBB output for single-ended use
- 1100MHz min. toggle frequency
- Asynchronous Master Reset
- Fully compatible with Motorola MC10E/100E452
- Available in 28-pin PLCC package

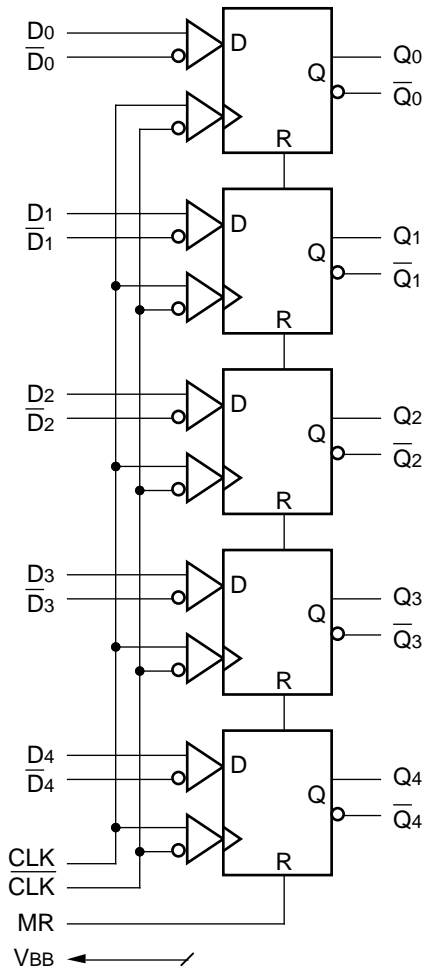
DESCRIPTION

The SY10/100E452 are 5-bit differential registers with differential data (inputs and outputs) and clock. The registers are triggered by a positive transition of the positive clock (CLK) input. A high on the Master Reset (MR) asynchronously resets all registers so that the Q outputs go LOW.

The differential input structures are clamped so that the inputs of unused registers can be left open without upsetting the bias network of the devices. The clamping action will assert the /D and the /CLK sides of the inputs. Because of the edge-triggered flip-flop nature of the devices, simultaneously opening both the clock and data inputs will result in an output which reaches an unidentified but valid state.

The fully differential design of the devices makes them ideal for very high frequency applications where a registered data path is necessary.

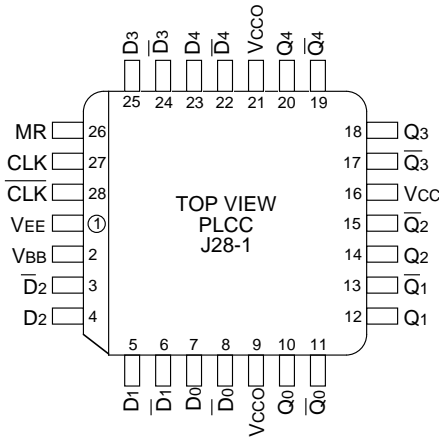
BLOCK DIAGRAM



PIN NAMES

Pin	Function
D [0:4], /D [0:4]	Differential Data Inputs
MR	Master Reset Input
CLK, /CLK	Differential Clock Input
VBB	VBB Reference Output
Q [0:4], /Q [0:4]	Differential Data Outputs
Vcco	Vcc to Output

PACKAGE/ORDERING INFORMATION



28-Pin PLCC (J28-1)

Ordering Information⁽¹⁾

Part Number	Package Type	Operating Range	Package Marking	Lead Finish
SY10E452JI	J28-1	Industrial	SY10E452JI	Sn-Pb
SY10E452JITR ⁽²⁾	J28-1	Industrial	SY10E452JI	Sn-Pb
SY100E452JI	J28-1	Industrial	SY100E452JI	Sn-Pb
SY100E452JITR ⁽²⁾	J28-1	Industrial	SY100E452JI	Sn-Pb
SY10E452JC	J28-1	Commercial	SY10E452JC	Sn-Pb
SY10E452JCTR ⁽²⁾	J28-1	Commercial	SY10E452JC	Sn-Pb
SY100E452JC	J28-1	Commercial	SY100E452JC	Sn-Pb
SY100E452JCTR ⁽²⁾	J28-1	Commercial	SY100E452JC	Sn-Pb
SY10E452JY ⁽³⁾	J28-1	Industrial	SY10E452JY with Pb-Free bar-line indicator	Matte-Sn
SY10E452JYTR ^(2, 3)	J28-1	Industrial	SY10E452JY with Pb-Free bar-line indicator	Matte-Sn
SY100E452JY ⁽³⁾	J28-1	Industrial	SY100E452JY with Pb-Free bar-line indicator	Matte-Sn
SY100E452JYTR ^(2, 3)	J28-1	Industrial	SY100E452JY with Pb-Free bar-line indicator	Matte-Sn

Notes:

1. Contact factory for die availability. Dice are guaranteed at T_A = 25°C, DC electricals only.
2. Tape and Reel.

DC ELECTRICAL CHARACTERISTICS

VEE = VEE (Min.) to VEE (Max.); VCC = VCCO = GND

Symbol	Parameter	TA = -40°C			TA = 0°C			TA = +25°C			TA = +85°C			Unit	
		Min.	Typ.	Max.	Min.	Typ.	Max.	Min.	Typ.	Max.	Min.	Typ.	Max.		
VBB	Output Reference Voltage	10E	-1.43	—	-1.30	-1.38	—	-1.27	-1.35	—	-1.25	-1.31	—	-1.19	V
		100E	-1.38	—	-1.26	-1.38	—	-1.26	-1.38	—	-1.26	-1.38	—	-1.26	
I _{IH}	Input HIGH Current	—	—	150	—	—	150	—	—	150	—	—	150	μA	
I _{EE}	Power Supply Current	10E	—	74	89	—	74	89	—	74	89	—	74	89	mA
		100E	—	74	89	—	74	89	—	74	89	—	85	102	
V _{CMR}	Common Mode Range ⁽¹⁾	-2.0	—	-0.4	-2.0	—	-0.4	-2.0	—	-0.4	-2.0	—	-0.4	V	

Note:

- V_{CMR} is referenced to the most positive side of the differential input signal. Normal operation is obtained when the input signals are within the V_{CMR} range and the input swing is greater than V_{PP} (min.) and <1V.

AC ELECTRICAL CHARACTERISTICS

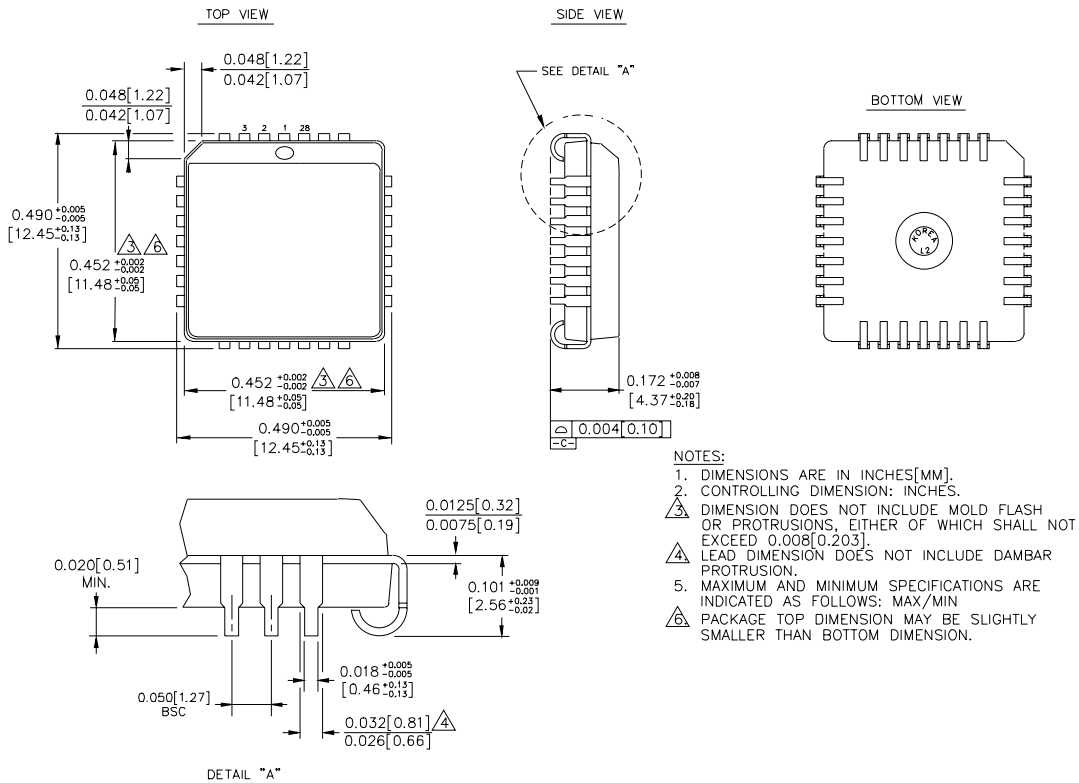
VEE = VEE (Min.) to VEE (Max.); VCC = VCCO = GND

Symbol	Parameter	TA = -40°C			TA = 0°C			TA = +25°C			TA = +85°C			Unit	
		Min.	Typ.	Max.	Min.	Typ.	Max.	Min.	Typ.	Max.	Min.	Typ.	Max.		
f _{MAX}	Max. Toggle Frequency	1000	1400	—	1100	1400	—	1100	1400	—	1100	1400	—	MHz	
t _{PD}	Propagation Delay to Output	CLK (Diff)	425	600	850	475	600	800	475	600	800	475	600	800	ps
		CLK (SE)	375	600	900	425	600	850	425	600	850	425	600	850	
		MR	375	625	900	425	625	850	425	625	850	425	625	850	
t _S	Set-up Time, D	175	-50	—	150	-50	—	150	-50	—	150	-50	—	ps	
t _H	Hold Time, D	225	50	—	200	50	—	200	50	—	200	50	—	ps	
t _{RR}	Reset Recovery Time	750	450	—	700	450	—	700	450	—	700	450	—	ps	
t _{PW}	Minimum Pulse Width	CLK	400	—	—	400	—	—	400	—	—	400	—	—	ps
		MR	400	—	—	400	—	—	400	—	—	400	—	—	
t _{skew}	Within-Device Skew ⁽¹⁾	—	50	—	—	50	—	—	50	—	—	50	—	ps	
V _{PP (AC)}	Minimum Input Swing ⁽²⁾	150	—	—	150	—	—	150	—	—	150	—	—	mV	
t _r t _f	Rise/Fall Time 20–80%	250	475	725	275	475	675	275	475	675	275	475	675	ps	

Notes:

- Within-device skew is defined as identical transitions on similar paths through a device.
- Minimum input swing for which AC parameters are guaranteed.

28-PIN PLCC (J28-1)



Rev. 03

MICREL, INC. 2180 FORTUNE DRIVE SAN JOSE, CA 95131 USA

TEL + 1 (408) 944-0800 FAX + 1 (408) 474-1000 WEB <http://www.micrel.com>

The information furnished by Micrel in this data sheet is believed to be accurate and reliable. However, no responsibility is assumed by Micrel for its use. Micrel reserves the right to change circuitry and specifications at any time without notification to the customer.

Micrel Products are not designed or authorized for use as components in life support appliances, devices or systems where malfunction of a product can reasonably be expected to result in personal injury. Life support devices or systems are devices or systems that (a) are intended for surgical implant into the body or (b) support or sustain life, and whose failure to perform can be reasonably expected to result in a significant injury to the user. A Purchaser's use or sale of Micrel Products for use in life support appliances, devices or systems is at Purchaser's own risk and Purchaser agrees to fully indemnify Micrel for any damages resulting from such use or sale.

© 2006 Micrel, Incorporated.