

# HIGH VOLTAGE POWER SWITCHING REGULATOR

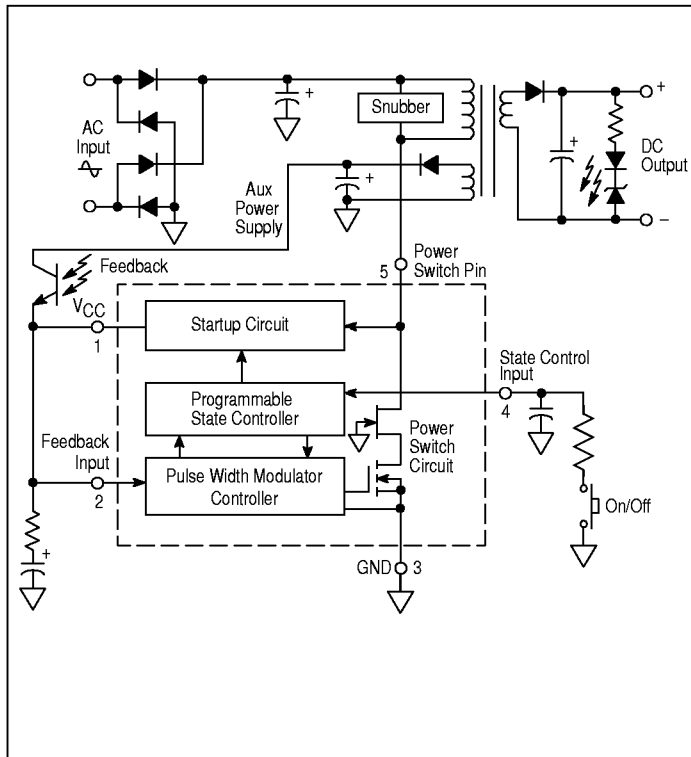
## FEATURES

- Programmable State Controller
- On-Chip 700V SENSEFET™ Power Switch Circuit
- Rectified AC Line Source Operation from 85V to 265V
- On-Chip 700V Active Off-Line Start-Up Circuit
- Latching PWM for Double Pulse Suppression
- Cycle-By-Cycle Current Limiting
- Input Undervoltage Lockout with Hysteresis
- Non-Latching Internal Thermal Shutdown
- Enhanced Functionality Over TOP200 and TOP221 Series

## TYPICAL APPLICATIONS

- Consumer Electronics
- Office Automation
- Personal Computers
- Wireless Communications
- Industrial Systems

## TYPICAL APPLICATION



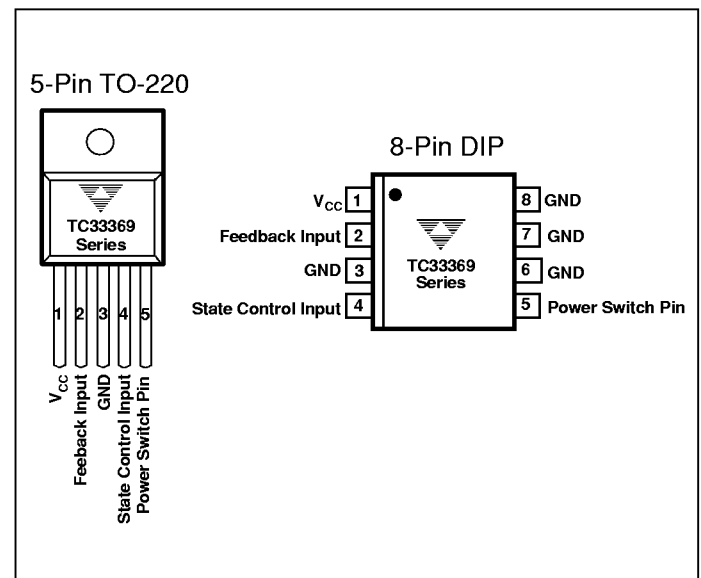
## GENERAL DESCRIPTION

The TC33369 through TC33374 are monolithic high voltage power switching regulators that combine the required converter functions with a unique programmable state controller, allowing a simple and economical power system solution for office automation, consumer, and industrial products. These devices are designed to operate in flyback converter applications, directly from a rectified AC line source. They are capable of providing an output power in excess of 150W with a fixed AC input of 100V, 115V, or 230V, and in excess of 90W with a variable AC input that ranges from 85V to 265V.

This device series features a programmable state controller, an on-chip 700V SENSEFET™ power switch circuit, 700V active off-line startup circuit including a high voltage JFET and low voltage MOSFET, auto restart logic, fixed frequency duty cycle controlled oscillator, current limiting comparator with leading edge blanking, latching pulse width modulator for double pulse suppression, and a high gain amplifier with a bandgap reference. Protective features include cycle-by-cycle current limiting, input undervoltage lockout with hysteresis, and a non-latching thermal shutdown. These devices are available in economical straight-lead and vertical mount 5-pin TO-220 style and 8-pin plastic DIP packages.

SENSEFET is a trademark of Motorola Inc.

## PIN CONFIGURATION



See page four for Ordering Information.

# HIGH VOLTAGE POWER SWITCHING REGULATOR

## TC33369/70/1/2/3/4

### ABSOLUTE MAXIMUM RATINGS\*

Power Switch Circuit and Start-Up Circuit	
Voltage Range ( $V_S$ )	-0.3V to 700V
Current Peak During Transformer Saturation ( $I_{S(PK)}$ )	2.0A $I_{limMAX}$
Power Supply Voltage Range ( $V_{CC}$ )	-0.3V to 10V
Feedback Input	
Voltage Range ( $V_{IR(FB)}$ )	-0.3V to 10V
Current ( $I_{FB}$ )	100 mA
State Control Input Current ( $I_{ST}$ )	50 mA
Thermal Characteristics	
DIP-8 (Mounted on 2 oz. Printed Circuit Copper Clad)	
$\theta_{JA}$ (0.36 sq. inch)	45 °C/W

$\theta_{JA}$ (1.0 sq. inch) TO220-5	35 °C/W
$\theta_{JC}$	2.0 °C/W
$\theta_{JA}$	65 °C/W
Operating Junction Temperature ( $T_J$ )	-40°C to +150°C
Storage Temperature ( $T_{STG}$ )	-65°C to +150°C

\*Static-sensitive device. Unused devices must be stored in conductive material. Protect devices from static discharge and static fields. Stresses above those listed under Absolute Maximum Ratings may cause permanent damage to the device. These are stress ratings only and functional operation of the device at these or any other conditions above those indicated in the operational sections of the specifications is not implied. Exposure to Absolute Maximum Rating Conditions for extended periods may affect device reliability.

**ELECTRICAL CHARACTERISTICS:** (Pin 1 connected to Pin 2, typical values  $T_J = 25^\circ\text{C}$ , Min/Max values are specified at  $T_J = -40^\circ\text{C}$  to  $+125^\circ\text{C}$ , unless otherwise noted.)

Symbol	Parameter	Test Conditions	Min	Typ	Max	Unit
<b>Oscillator</b>						
$f_{OSC}$	Oscillator Frequency	$I_{FB} = 4.0 \text{ mA}$	70	100	115	KHz
<b>Amplifier and PWM Comparator (Pin 2)</b>						
$V_{REG(FB)}$	Feedback Input Shunt Regulation	$I_{FB} = 4.0 \text{ mA}$	8.3	8.6	8.9	V
$\Delta V_{REG(FB)}$	Active Shunt Regulator Temperature Coefficient	$I_{FB} = 4.0 \text{ mA}$ , Note 4	—	0.005	—	%/°C
$R_I$	Feedback Input Resistance	$I_{FB} = 3.5 \text{ mA}$ to $4.5 \text{ mA}$ , Note 2	14	19	23	$\Omega$
$\Delta R_I$	Feedback Input Resistance Temperature Coefficient	$I_{FB} = 3.5 \text{ mA}$ to $4.5 \text{ mA}$ , Note 4	—	0.3	—	%/°C
$I_{TH(PWM)}$	Feedback Input Current at Duty Cycle Reduction Threshold	TC33369, 70	1.2	1.6	2.1	mA
		TC33371	1.3	1.8	2.3	
		TC33372	1.4	2.0	2.4	
		TC33373, 73A	1.5	2.1	3.0	
		TC33374	1.6	2.2	3.2	
$A_V$	Amp/PWM Gain	$I_{FB} = 3.5 \text{ mA}$ to $4.5 \text{ mA}$ , Note 2	-10	-14	-18	%/mA
$\Delta A_V$	Amp/PWM Gain Coefficient	Note 4	—	-0.05	—	%/°C
$D_{MAX}$	PWM Maximum Duty Cycle	$I_{FB} = I_{CC1}$	71	74	77	%
$D_{MIN}$	PWM Minimum Duty Cycle	$I_{FB} = 10 \text{ mA}$	0.5	0.9	2.0	%
<b>Shutdown Latch</b>						
$I_{SD}$	Current Into Pin 2 to Set Shutdown Latch		30	70	150	mA
$V_{RST}$	Shutdown Latch Power-Up Reset Threshold Voltage		2.5	3.7	5.0	V
<b>State Control (Pin 4)</b>						
$V_{OC(ST)}$	State Control Input Open Circuit Voltage	$I_{FB} = 4.0 \text{ mA}$	3.2	3.55	3.8	V
$V_{TH(ST)}$	Set Comparator Threshold Voltage	$V_{CC} = V_{REG(FB)}$	4.1	4.4	4.7	V
$V_{CLMP(ST)}$	Set Comparator Input Clamp Voltage	$V_{CC} = V_{REG(FB)}$ , $I_{IN} = 0.5 \text{ mA}$	5.0	5.5	6.5	V
$I_{IN(ST)}$	Set Comparator Input Clamp Current	$V_{CC} = V_{REG(FB)}$ , $V_{IN} = 8.6\text{V}$	—	1.0	—	mA
$V_{TH(TG)}$	Toggle Comparator Threshold Voltage	$V_{CC} = V_{REG(FB)}$ , $V_{IN}$ Decreasing	1.6	1.8	2.0	V
$T_H(TG)$	Toggle Comparator Hysteresis	$V_{CC} = V_{REG(FB)}$ , $V_{IN}$ Increasing	—	200	—	mV
$I_{IN(TOG)}$	Toggle Comparator Input Current	$V_{CC} = V_{REG(FB)}$ , $V_{IN} = 0.2\text{V}$	—	-40	—	$\mu\text{A}$
$I_{RST(ST)}$	State Control Input Reset Current	$V_{CC} < V_{RST}$ , $V_{ST} = 1.1\text{V}$	1.0	3.7	7.0	mA

# HIGH VOLTAGE POWER SWITCHING REGULATOR

TC33369/70/1/2/3/4

**ELECTRICAL CHARACTERISTICS (Cont):** (Pin 1 connected to Pin 2, typical values  $T_J = 25^\circ\text{C}$ , Min/Max values are specified at  $T_J = -40^\circ\text{C}$  to  $+125^\circ\text{C}$ , unless otherwise noted.)

Symbol	Parameter	Test Conditions	Min	Typ	Max	Unit		
<b>Power Switch (Pin 5)</b>								
$R_{5,3(ON)}$	On-State Resistance	$I_5 = 50\text{ mA}$	TC33369, $T_J = 25^\circ\text{C}$	—	12	13.5	$\Omega$	
			TC33370, $T_J = 125^\circ\text{C}$	—	21	30		
		$I_5 = 100\text{ mA}$	TC33371	$T_J = 25^\circ\text{C}$	—	6.8		7.5
				$T_J = 125^\circ\text{C}$	—	13		14.5
		$I_5 = 150\text{ mA}$	TC33372	$T_J = 25^\circ\text{C}$	—	4.8		5.5
				$T_J = 125^\circ\text{C}$	—	8.0		9.0
		$I_5 = 175\text{ mA}$	TC33373A	$T_J = 25^\circ\text{C}$	—	4.0		5.0
				$T_J = 125^\circ\text{C}$	—	7.2		9.0
		$I_5 = 200\text{ mA}$	TC33373	$T_J = 25^\circ\text{C}$	—	3.8		4.5
				$T_J = 125^\circ\text{C}$	—	6.8		8.5
		$I_5 = 250\text{ mA}$	TC33374	$T_J = 25^\circ\text{C}$	—	3.0		3.5
				$T_J = 125^\circ\text{C}$	—	5.4		6.5
$V_{(BR)D5}$	Pin-5 Breakdown Voltage	$I_{5(OFF)} = 100\ \mu\text{A}; T_A = 25^\circ\text{C}$	700	—	—	V		
$I_{5(OFF)}$	Pin-5 Off-State Leakage Current	$V_5 = 700\text{V}$	$T_J = 25^\circ\text{C}$	—	28	50	$\mu\text{A}$	
			$T_J = 125^\circ\text{C}$	—	100	200		
$t_{ON}$	Turn-On Time (90% to 10%)		—	10	—	nsec		
$t_{OFF}$	Turn-Off Time (10% to 90%)		—	15	—	nsec		
<b>Current Limit and Thermal Protection</b>								
$I_{LIM}$	Current Limit Threshold	$T_J = 25^\circ\text{C}$	TC33369	0.44	0.5	0.56	A	
			TC33370	0.8	0.9	1.0		
			TC33371	1.3	1.5	1.7		
			TC33372	1.8	2.0	2.2		
			TC33373A	2.2	2.5	2.8		
			TC33373	2.4	2.7	3.0		
			TC33374	2.9	3.3	3.7		
$t_{PLH}$	Current Limit Threshold-to-Power Switch Circuit Output (Leading Edge Blanking Plus Current Limit Delay)		—	280	—	nsec		
$T_{SD}$	Thermal Shutdown Temperature	Junction Temp. Increasing (Note 1, 3)	140	157	—	$^\circ\text{C}$		
$T_H$	Thermal Shutdown Hysteresis	Junction Temp. Decreasing (Note 1, 3)	—	15	—	$^\circ\text{C}$		
<b>Startup Control (Pin 1)</b>								
$V_{CC(ON)}$	UVLO Start-Up Voltage Threshold	$V_{CC}$ increasing	8.2	8.5	8.8	V		
$V_{CC(MIN)}$	UVLO Minimum Operating Voltage After Turn-On		7.2	7.5	7.8	V		
$V_H$	UVLO Hysteresis Voltage		0.8	1.0	1.2	V		
$I_{START}$	Start-Up Circuit Pin 1 Output Current	Pin 5 = 50V	$V_{CC} = 0\text{V}$	1.2	2.0	2.5	mA	
			$V_{CC} = 8.0\text{V}$	0.5	1.4	2.5		
$D_{RST}$	Auto Restart Duty Cycle	Pin 1 = 47 $\mu\text{F}$ , Pin 5 = 50V	—	5.0	—	%		
$f_{RST}$	Auto Restart Frequency	Pin 1 = 47 $\mu\text{F}$ , Pin 5 = 50V	—	1.2	—	Hz		
<b>Total Device (Pin 1)</b>								
$I_{CC1}$	Power Switch Circuit Current after UVLO Turn-ON	Power Supply Enabled	TC33369, 70	0.5	1.2	1.7	mA	
			TC33371	0.65	1.4	1.8		
			TC33372	0.8	1.5	1.9		
			TC33373, 73A	0.95	1.7	2.1		
			TC33374	1.1	1.8	2.2		
$I_{CC2}$	Power Switch Circuit Current Disabled		0.6	1.0	1.2			

- Notes: 1. Maximum package power dissipation limits must be observed. 5. Adjust di/dt to reach  $I_{LIM}$  in 5.0 $\mu\text{s}$ .  
 2. Min/Typ/Max specified at  $25^\circ\text{C}$ .  
 3. Min/Typ/Max specified at  $T_J = -40^\circ\text{C}$  to  $+125^\circ\text{C}$ .  
 4. Guaranteed by Design Only

# HIGH VOLTAGE POWER SWITCHING REGULATOR

## TC33369/70/1/2/3/4

### ORDERING INFORMATION

Part No.	Package	Power Switch		Operating Junction Temperature (T <sub>J</sub> )
		On Resistance (Ω)	Peak Current (A)	
TC33369VAT	TO-220-5 Straight Lead	12	0.5	-40°C to +150°C
TC33370VAT	TO-220-5 Straight Lead	12	0.9	-40°C to +150°C
TC33371VAT	TO-220-5 Straight Lead	6.8	1.5	-40°C to +150°C
TC33372VAT	TO-220-5 Straight Lead	4.8	2.0	-40°C to +150°C
TC33373VAT	TO-220-5 Straight Lead	3.8	2.7	-40°C to +150°C
TC33374VAT	TO-220-5 Straight Lead	3.0	3.3	-40°C to +150°C
TC33369VAV	TO-220-5 Vertical Mount	12	0.5	-40°C to +150°C
TC33370VAV	TO-220-5 Vertical Mount	12	0.9	-40°C to +150°C
TC33371VAV	TO-220-5 Vertical Mount	6.8	1.5	-40°C to +150°C
TC33372VAV	TO-220-5 Vertical Mount	4.8	2.0	-40°C to +150°C
TC33373VAV	TO-220-5 Vertical Mount	3.8	2.7	-40°C to +150°C
TC33374VAV	TO-220-5 Vertical Mount	3.0	3.3	-40°C to +150°C
TC33369VPA	Plastic DIP-8	12	0.5	-40°C to +150°C
TC33370VPA	Plastic DIP-8	12	0.9	-40°C to +150°C
TC33371VPA	Plastic DIP-8	6.8	1.5	-40°C to +150°C
TC33372VPA	Plastic DIP-8	4.8	2.0	-40°C to +150°C
TC33373VPA	Plastic DIP-8	4.0	2.5	-40°C to +150°C

### PIN DESCRIPTION

Pin Number	Function	Description
1	V <sub>CC</sub>	Positive Supply Voltage Input. During startup, power is supplied to this input from Pin 5. When V <sub>CC</sub> reaches the UVLO upper threshold, the Start-Up Circuit turns off, and power is supplied from an auxiliary transformer winding.
2	Feedback Input	Shunt Regulator Amplifier Input. This input provides duty cycle control for the Power Switch Circuit. It has an 8.6V threshold and normally connects to the converter output, or to a voltage that represents the converter output.
3	Ground	Control Circuit and Power Switch Circuit Ground. It is part of the integrated circuit lead frame and is electrically common to the metal heatsink tab.
4	State Control Input	A multifunction input designed to interface with a small number of external components to implement various methods of converter on/off control.
5	Power Switch Pin	This pin directly drives the converter transformer primary and internally connects to the Power Switch Circuit and Start-Up Circuit.

### DETAILED DESCRIPTION

The TC33369 thru TC33374 represent a new higher level of integration by providing on a single monolithic chip all of the active power, control, logic, and protection circuitry required to implement a high voltage flyback, forward, boost, or buck converter. This device series is designed for direct operation from a rectified 240 VAC line source and requires minimal external components for a complete cost sensitive converter solution. Potential markets include office automation, industrial, residential, personal computer, and consumer. A description of each of the functional blocks is given below, and the representative block diagram is shown in Figure 17.

#### Oscillator

The Oscillator block consists of two comparators that alternately gate on and off a trimmed current source and current sink which are used to respectively charge and discharge an on-chip timing capacitor between two voltage levels. This configuration generates a precise linear sawtooth ramp signal that is used to pulse width modulate the MOSFET of the Power Switch Circuit. During the charge of the timing capacitor, the Oscillator duty cycle output holds one input of the Driver low. This action keeps the MOSFET of the Power Switch Circuit off, thus limiting the maximum duty cycle. The Oscillator frequency is internally programmed for 100 KHz operation with a controlled charge to discharge current ratio that yields a maximum PWM duty cycle of 74%.

#### PWM Comparator and Latch

The pulse width modulator (PWM) consists of a comparator with the Oscillator ramp output applied to the inverting input, while the Amplifier output is applied into the noninverting input. The Oscillator clock output applies a set pulse to the PWM Latch when the timing capacitor reaches its peak voltage, initiating Power Switch Circuit conduction. As the timing capacitor discharges, the ramp voltage decreases to a level that is less than the Amplifier output, causing the PWM Comparator to reset the latch and terminate Power Switch Circuit conduction for the duration of the ramp-down period. This method of having the Oscillator set and the PWM Comparator reset the Latch prevents the possibility of multiple output pulses during a given Oscillator clock cycle. This circuit configuration is commonly referred to as double pulse suppression logic. A timing diagram is shown in Figure 18 that illustrates the behavior of the pulse width modulator.

#### Shunt Regulator/Amplifier

Feedback Input, Pin 2, connects to the internal Shunt Regulator/Amplifier. This input is used as a means to close

the feedback loop for converter output regulation. The internal circuitry consists of an Amplifier with a precise threshold that drives a MOSFET in a manner that forms an active Shunt Regulator. The initial current that flows into Pin 1 is used to bias the internal circuitry. Any additional current in excess flows into Pin 2, and is shunted through resistor  $R_{FB}$  to ground. The voltage developed across  $R_{FB}$  is used to adjust the PWM Comparator threshold, which in turn controls the PWM duty cycle. The duty cycle is inversely proportional to the feedback input current level and is reduced at a rate of about -14% per mA, refer to Figure 5. A 7.0 KHz low pass filter is placed between  $R_{FB}$  and the PWM input. This filter attenuates any switching noise that may be present and reduces the possibility of output pulse width jitter.

The Amplifier gain is set by the dynamic impedance of the feedback input and is nominally centered at  $18\Omega$ . The dynamic impedance of this pin combined with the external resistive and capacitive components determines the control loop characteristics of the converter. The feedback input has a temperature compensated threshold of 8.6V and is used as a voltage reference or in non-isolated output applications. The input dynamic resistance is shown in Figure 6.

#### External Shutdown and Latch

A latching shutdown feature has been incorporated into this device series to eliminate the possibility of converter runaway output voltage during a sudden load removal. The External Shutdown block sets the Shutdown Latch when the feedback input current exceeds 60 mA. When set, the Latch holds the Power Switch Circuit off, and the Start-Up Circuit hystereticly regulates the  $V_{CC}$  Pin 1 voltage between 8.5V to 7.5V. In order to resume the switching operation, the Shutdown Latch must be reset by the Power-Up Reset block. This can be accomplished directly by momentarily pulling the  $V_{CC}$  Pin 1 below the 3.7V Power-Up Reset threshold, or indirectly by removing, waiting, and then restoring power to the converter input. The Power-Up Reset block automatically resets the Shutdown Latch each time power is applied to the device.

#### Current Limit Comparator and Power Switch Circuit

This device series uses cycle-by-cycle current limiting as a means of protecting the power switch circuit from overstress. Each ON-cycle is treated as a separate situation. Current limiting is implemented by monitoring the output switch current buildup during conduction, and upon sensing an overcurrent condition, immediately turning off the switch for the duration of the oscillator ramp-down period.

## TC33369/70/1/2/3/4

The Power Switch Circuit is constructed as a SENSEFET™ circuit with a high voltage JFET in series with a low voltage MOSFET. The drain of the high voltage JFET is connected to Pin 5. The gate of the JFET is grounded. The source of the JFET is connected to the drain of the low voltage MOSFET. The MOSFET has two sources of different size with a known ratio of about 1:100. One source of the MOSFET is connected to Pin 3 and provides the main current conduction path between Pin 5 and Pin 3. The second source of the MOSFET is used for current sensing by conducting a small percentage of the current between Pin 5 and Pin 3 through a ground referenced sense resistor,  $R_{PK}$ . The voltage across sense resistor  $R_{PK}$  represents the current from Pin 5 to Pin 3 divided by the known ratio of the MOSFET sources. The SENSEFET™ circuit allows a virtually lossless method of monitoring the current from Pin 5 to Pin 3. The current limit comparator detects if the voltage across  $R_{PK}$  exceeds the reference level that is present at the noninverting input. If exceeded, the comparator quickly resets the PWM Latch, thus protecting the Power Switch circuit. Figure 11 shows that this detection method yields a relatively constant current limit threshold over temperature. The high voltage Power Switch Circuit is integrated with the control logic circuitry and is designed to directly drive the converter transformer. The Power Switch Circuit is capable of switching 700V with an associated current from Pin 5 to Pin 3 that ranges from 0.9A to 3.3A. Proper voltage snubbing on Pin 5 during converter startup and overload is mandatory for reliable device operation.

A Leading Edge Blanking circuit was placed in the current sensing signal path to prevent a premature reset of the PWM Latch. A potential premature reset signal is generated each time the Power Switch Circuit is driven into conduction and appears as a narrow voltage spike across the current sense resistor  $R_{PK}$ . The spike is due to the low voltage MOSFET gate to source capacitance, transformer interwinding capacitance, and output rectifier recovery time. The Leading Edge Blanking circuit has a dynamic behavior that masks the current signal until the Power Switch Circuit turn-on transition is completed. The current limit propagation delay time is typically 280 nsec. This time is measured from when an overcurrent appears at the Power Switch Circuit to the beginning of turn-off. Care must be taken during transformer saturation so that the maximum device current limit rating is not exceeded.

### Start-Up Circuit

Contained within the TC33369 thru TC33374 is a Start-Up circuit that is governed by the State Control block. The Start-Up circuit includes a high voltage JFET and a low voltage MOSFET. The drain of the high voltage JFET is connected to Pin 5. The gate of the JFET is grounded. The

source of the high voltage JFET is connected to the drain of the low voltage MOSFET. The JFET pinches off and clamps the voltage on the drain of the MOSFET to a low voltage between 18-24 volts. A resistance of 550K $\Omega$  is connected between the drain and gate of the low voltage MOSFET. The low voltage on the drain and gate of the MOSFET simplifies construction of the Start-Up circuit. This circuitry yields an increase in converter efficiency by the elimination of an external startup resistor and its associated power dissipation that is common in most of the off-line converters that utilize a UC3842 type of controller.

Rectified AC line voltage is applied to the Start-Up Circuit from Pin 5. This causes the Start-Up Circuit to provide charge current to the  $V_{CC}$  bypass capacitor that connects from Pin 1 to ground. When  $V_{CC}$  reaches the UVLO upper threshold of 8.5V, the Start-Up Circuit is turned off to complete the start-up phase. The IC then commences normal operation. As the converter output approaches regulation, the auxiliary transformer winding begins to provide operating bias. All of the required device power is now efficiently converted down directly from the rectified AC line. The Start-Up Circuit will provide an initial charging current of 2.0 mA when powered from 400V. This current will decrease as the  $V_{CC}$  pin voltage rises or if the device is powered from a lower input voltage, refer to Figures 9 and 10. The Start-Up Circuit is rated at a maximum of 700V with the  $V_{CC}$  pin shorted to ground.

### Undervoltage Lockout

An Undervoltage Lockout comparator is included to guarantee that the integrated circuit has sufficient voltage to be fully functional before the output stage is enabled. The UVLO comparator monitors the feedback input voltage at Pin 2 and when it exceeds the startup threshold of 8.5 V, the Start-Up Circuit turns off, Internal Bias block is switched on, and the Power Switch Circuit is enabled. To prevent erratic switching as the threshold is crossed, 1.0V of hysteresis is provided. This level of hysteresis ensures that there is sufficient energy stored in the  $V_{CC}$  bypass capacitor to power the bias circuitry until auxiliary power supply takes over. If the converter output is nominally loaded, regulation will be established and the opto-isolator will provide sufficient current into the feedback input to keep the  $V_{CC}$  bypass capacitor charged. Figure 19 shows the timing waveforms during start-up and normal operation.

If the converter output is overloaded or shorted, the device will enter into the auto restart mode. This happens when the opto-isolator is not able to provide sufficient current in to the feedback input to keep the  $V_{CC}$  bypass capacitor charged. When the capacitor voltage falls below the minimum operating threshold of 7.5V, the UVLO comparator switches the Internal Bias block off, and disables the

Power Switch Circuit. The Start-Up Circuit is turned on and the  $V_{CC}$  bypass capacitor begins charging. When the UVLO startup threshold is reached, the Start-Up Circuit again turns off, the Internal Bias block is switched on, and the Divide by 8 counter is clocked. Since the Power Switch Circuit is now disabled by the Divide by 8 counter, the opto-isolator will not provide current to the  $V_{CC}$  bypass capacitor, the capacitor will discharge. The UVLO comparator and Start-Up Circuit will regulate the capacitor voltage in a hysteretic mode, varying between 7.5V to 8.5V, with an effective ramp-up duty cycle of approximately 35%. The Divide by 8 counter will enable the Power Switch Circuit to burst at the 100 KHz Oscillator frequency on every eighth ramp-down cycle. The device will remain in the auto restart mode until the output overload or short is removed and the threshold of regulation can again be reached. The purpose of the Divide by 8 counter is to reduce the Power Switch Circuit and output rectifier dissipation when the converter is subjected to an output overload or short. The counter effectively limits the average switching duty cycle to approximately 5%. Figure 20 shows the timing waveforms when in auto restart mode.

### Thermal Shutdown and Package

The internal Thermal Shutdown block protects the device in the event that the maximum junction temperature is exceeded. When activated, typically at 157°C, one input of the Driver is held low to disable the Power Switch Circuit. When disabled, the UVLO comparator and Start-Up Circuit regulate the  $V_{CC}$  pin voltage in the hysteretic mode. Thermal shutdown activation is non-latching and the Power Switch Circuit is allowed to resume operation when the junction temperature falls below 140°C. The thermal shutdown feature is provided to prevent catastrophic device failures from accidental overheating. It is not intended to be used as a substitute for proper heatsinking.

The die in the 8-pin dual-in-line package is mounted on a special heat tab copper alloy lead frame. The tab consists of pins 3, 6, 7, 8 is specifically designed to improve the thermal conduction from the die to the printed circuit board. This permits the use of standard layout and mounting practices while having the stability to halve the junction to air thermal resistance.

The die in the 5 pin TO-220 style package is mounted directly on a copper alloy heat tab. This metal tab is exposed on the back side of the package for heatsink attachment and is electrically common to the device ground, Pin 3. A wide variety of TO-220 style heatsinks are commercially available for enhancing the thermal performance and converter output power capability.

### State Control

The State Control block is designed to interface with a small number of external components to implement various methods of converter on/off control. By utilizing the distinctive features of the State Control Input, this device series can be programmed to enter into either the standby\* or operating mode in response to an appropriate input stimulus. This stimulus can come from a user interface pushbutton switch, an optically coupled microcontroller output signal, a combination of both, or other circuit configurations. The State Control Logic can be disabled and made to appear transparent when converter on/off control is not required. Table 1 and Figure 21 respectively show the State Control operating table, and the Control Block along with seven input examples.

The State Control block consists of a resistor bias network, Toggle and Set Comparators for threshold detection, an Input Clamp to provide drive for an opto light emitting diode, control logic elements for storing the operating state, and a Reset MOSFET for discharging an external capacitor. The State Control Input is internally biased at 3.55V when the  $V_{CC}$  input is regulated at 8.6V. This internal bias can be overridden and driven either low or high by an external signal in order to trip one of the comparators. The Toggle and Set Comparator thresholds are respectively at 1.8V and 4.4V. The comparator outputs are processed and stored by the State Control Logic block which in turn controls the Start-Up Circuit, Internal Bias block, and the Divide by 8 reset.

Circuit A shows an input configuration for manual toggle operation. A toggle request is made each time the pushbutton switch is pressed and released. When the Toggle Comparator detects a request, its output clocks the State Control Logic, resulting in a converter mode change. Successive toggle requests causes the converter to alternate between the standby and operating modes. When in standby mode, the UVLO comparator and Start-Up Circuit regulate the  $V_{CC}$  pin voltage in the hysteretic mode, and there is not any voltage present at the converter output.

Circuit B configures the input to interface with a microcontroller for graceful shutdown operation. Graceful shutdown is an advanced form of power management where the microcontroller has the overriding responsibility for determining if and when the converter enters into the standby\* mode. This is usually programmed to occur after the microcontroller completes a set of housekeeping routines.

A toggle request is made each time the pushbutton switch is pressed and released. When the Set Comparator detects a request, its output sets the State Control Logic, causing the converter to enter the operating mode. If the converter was initially operating, no mode change takes place. Note that each toggle request is conveyed to the microcontroller via Opto A. A current path for biasing the light

## TC33369/70/1/2/3/4

emitting diode is provided by the series resistor and the internal 5.5V Input Clamp. The microcontroller receives and processes the toggle request and upon completion of a maintenance routine, it sends a toggle confirm signal back to the State Control input via Opto B. This signal is detected by the Toggle Comparator and the converter enters into the standby\* mode. With this circuit configuration, the user only has control of the standby to operating mode transition. The user can request the operating to standby\* mode transition, but the microcontroller has total control on executing the request.

Circuit C configures the input for brownout protection. The cathode of the zener diode connects to the rectified and filtered AC line voltage that appears at the positive terminal of bulk capacitor C1. With appropriate zener diode and resistor values, the State Control Input voltage can be set to fall below 1.8 V during a brownout condition. This results in a toggle request that causes the converter to incisively change from operating to standby\* mode without any converter output voltage bounce. When the AC line voltage returns back to nominal, the voltage at the State Control Input rises, causing the Set Comparator to change the converter mode from standby\* to operating. Note that when the converter is in standby\*, the Set Comparator threshold will be lower than specified, and is approximately 3.84 V. This is because  $V_{CC}$  is regulated in the hysteretic mode between 7.5V to 8.5V.

Circuit D shows a method of accomplishing digital on/off control of the converter. Pull-up resistor R serves to bias the Set Comparator for turn-on, while the NPN transistor biases the Toggle Comparator for turn-off. An economical optocoupler can be used if galvanic isolation of the signal source is required.

Capacitor  $C_{ST}$  shown in each of the examples provides an important programming function. A small value capacitor ( $\leq 0.05 \mu\text{F}$ ) serves to filter noise that may be coupled into the state control pin, thereby preventing false triggering of the comparators. A relatively large value capacitor ( $\geq 2.0 \mu\text{F}$ ) will delay the initial rise of the state control voltage during startup. This action results in the converter powering up in standby\* rather than the operating mode.

Circuit E configures the State Control Input to provide a power-up time delay of the converter. Upon the initial application of AC power, the large value of capacitor  $C_{ST}$  causes the Toggle Comparator to place the converter in standby\*. When pull-up resistor R charges  $C_{ST}$  to the Set Comparator threshold, the converter changes to the operating mode. A graph of power-up time delay versus resistance for three values of  $C_{ST}$  is shown.

The circuits shown in the example in Circuit F on page 17 exemplifies two possible methods of disabling the State Control block on/off capability, thus rendering it transparent. This feature is useful in applications where converter on/off

control is not desired. When nominal AC line voltage is applied to the converter input, the resistor circuit will cause the Set Comparator to place the converter in the operating mode. The resistor value is not critical, but it should be at least 5.0K to ensure proper device start-up. The converter will also assume the operating mode if the State Control Input is left open or unconnected. Due to the relatively high input impedance, this input may be susceptible to noise pickup. A small bypass capacitor in the range of 1.0 nF to 50 nF is recommended for  $C_{ST}$ . The converter will assume the operation mode with either of these circuits.

\*Note: Standby means NO DC output voltage on the output of the power converter.

## APPLICATIONS

The TO-220 devices have a single Ground, Pin 3, that serves as both a sense point for the Shunt Regulator/ Amplifier and the high current return path for the power switch circuit. **Do not attempt to construct a converter circuit on a wire-wrap or plug-in prototype board.** In order to ensure proper device operation and stability, it is important to minimize the lead length and the associated inductance of the ground pin. This pin must connect as directly as possible to the printed circuit ground plane and should not be bent or offset by the board layout. The Power Switch Pin 5 can be offset using a TV suffix product if additional layout creepage distance is required. Due to the potentially high rate of change in switch current, components R3 and C5 must be connected to IC1 through separate and short copper traces (see Figure 22). This will significantly reduce the level of switching noise that can be imposed upon the feedback control signal.

Figures 22 and 23 show a universal input 52 watt 90 watt converter with the associated test data. The converters were constructed and tested using the printed circuit board layout shown in Figure 24. The board consists of a fiber glass epoxy material (FR4) with a single side of two ounce per square foot copper foil. It is designed as a general purpose single output laboratory test vehicle and therefore does not contain an input electromagnetic interference (EMI) filter.

The board layout is capable of encompassing the wide range of output power available from the vertical mount TO-220-5 package devices by providing a means to accept several component sizes and styles. Note that there are multiple positions for output filter capacitors C8 and C11, allowing up to four capacitors in parallel. The various positions for transformer T1 will accommodate four core/bobbin sizes, consisting of E19/8/5 (E187), E22, E25/10/6 (E250), and E28. Unused pins must be removed from the bobbin. A choice of four TO-220 style heatsinks can be used for integrated circuit IC1 and output rectifier D7. They are available from several manufacturers including Aavid Engineering.



# HIGH VOLTAGE POWER SWITCHING REGULATOR

TC33369/70/1/2/3/4

The table shown below lists the Aavid part numbers along with the associated thermal characteristics. The extruded heatsink must be drilled and tapped to allow attachment of the device and the printed circuit board.

Aavid Number	Heatsink	
	Style	Thermal Resistance °C/W)
592502B03400	Stamped	24 at 2.0 W
593002B03400	Stamped	14 at 4.0 W
593202B03500	Stamped	10.4 at 5.0 W
590302B03600	Stamped	9.2 at 5.0 W
604953B02500	Stamped	6.0 at 15 W

The maximum output power that can be obtained from a given converter design is limited by the maximum operating junction temperature and current limit threshold of the device selected. The table below provides a general guide for device selection assuming the following conditions:

- Discontinuous mode flyback operation
- Wide range input operation from 92 VAC to 276 VAC
- Bulk capacitor C1 ripple voltage  $\leq 25$  Vpp at 92 VAC input
- Converter efficiency of 75%
- Ambient temperature of 25°C
- Adequate heatsinking for a junction temperature  $\leq 150^\circ\text{C}$

Device	Converter Output Power (W)
TC33369VPA	12
TC33370VPA	20
TC33371VPA	30
TC33372VPA	35
TC33373VPA	40
TC33369VAT/VAV	12
TC33370VAT/VAV	25
TC33371VAT/VAV	45
TC33372VAT/VAV	60
TC33373VAT/VAV	75
TC33374VAT/VAV	90

# HIGH VOLTAGE POWER SWITCHING REGULATOR

## TC33369/70/1/2/3/4

**Table 1. State Control Operating Table (Circuits A through D of Figure 21)**

AC Line Voltage	Converter Mode	Input (Pin 4)		Converter Mode	Description
		Capacitor	Stimuli		
<b>Toggle Operation</b>					
Nominal	Standby	Don't Care	Pulsed Low $\leq 1.8V$	Operating	The converter changes from standby to operating mode by the Toggle Comparator.
Nominal	Operating	Don't Care	Pulsed Low $\leq 1.8V$	Standby	The converter changes from operating to standby mode by the Toggle Comparator.
<b>Microcontroller Graceful Shutdown (Circuit B)</b>					
Nominal	Standby	Don't Care	Pulsed High $\geq 4.4V$	Operating	Converter mode toggle requested. The Set Comparator changes the converter mode from standby to operating.
Nominal	Operating	Don't Care	Pulsed High $\geq 4.4V$	Operating	Converter mode toggle requested. No mode change takes place since the converter was initially operating. The change request is communicated to the MCU via Opto A.
Nominal	Operating	Don't Care	Pulsed Low $\leq 1.8V$	Standby	Converter mode toggle is confirmed by the MCU via Opto B. The converter mode changes from operating to standby.
<b>Brownout Protection (Circuit C)</b>					
Nominal to Brownout	Operating	Don't Care	Biased Low $\leq 1.8V$	Standby	The AC line voltage level changes from nominal to brownout, and zener diode breakdown ceases. The lower divider resistor biases the Toggle Comparator input low, changing the converter mode from operating to standby.
Brownout to Nominal	Standby	$C_{ST} \leq 0.05 \mu F$	Biased High $\geq 3.85V$	Operating	The AC line voltage level changes from brownout to nominal, and zener diode commences breakdown. This biases the Set Comparator input high, changing the converter mode from standby to operating.
<b>Digital ON/OFF Control (Circuit D)</b>					
Nominal	Standby	Don't Care	Biased High $\geq 4.4V$	Operating	The transistor is off, and the collector resistor biases the Set Comparator input high, placing the converter in the operating mode.
Nominal	Operating	Don't Care	Biased Low	Standby	The transistor is on, and the collector biases the Toggle Comparator input low, placing the converter in the standby mode.
<b>Delayed Power-Up (Circuit E)</b>					
Zero to Nominal	Off	$C_{ST} \geq 2.0 \mu F$	Pulsed Low by $C_{ST} \leq 1.8V$	Off Delay	Discharged capacitor $C_{ST}$ causes the Toggle Comparator to change the control logic state. The converter is placed in the standby mode with the power switch disabled. When $C_{ST}$ charges above 4.4V, the Set Comparator changes the converter mode from standby to operating.
			Set High $\geq 4.4V$	Operating	

Note: When the converter is in standby mode, there is not any voltage present at the output.

# HIGH VOLTAGE POWER SWITCHING REGULATOR

TC33369/70/1/2/3/4

Table 1. State Control Operating Table (Cont.) (Circuits A through D of Figure 21)

AC Line Voltage	Converter Mode	Input (Pin 4)		Converter Mode	Description
		Capacitor	Stimuli		
<b>Delayed Power-Up (Circuit E)</b>					
Zero to Nominal	Off	$C_{ST} \geq 2.0 \mu F$	Pulsed Low by $C_{ST} \leq 1.8V$	Off Delay	Discharged capacitor $C_{ST}$ causes the Toggle Comparator to change the control logic state. The converter is placed in the standby mode with the power switch circuit disabled. When $C_{ST}$ Set High Operating charges above 4.4V, Set Comparator $\geq 4.4V$ changes the converter mode from standby to operating.
<b>Power-Up (Circuits A and B)</b>					
Zero to Nominal	Off	$C_{ST} \leq 0.05 \mu F$	None	Operating	Application of AC line power causes converter operation. The State Control Input is presently configured to be transparent, and the control logic has no effect during power-up.
Zero to Nominal	Off	$C_{ST} \geq 2.0 \mu F$	Pulsed Low by $C_{ST} \leq 1.8V$	Standby	Discharged capacitor $C_{ST}$ causes the Toggle Comparator to change the control logic state. The converter is placed in the standby mode with the power switch circuit disabled.

Note: When the converter is in standby mode, there is not any voltage present at the output.

# HIGH VOLTAGE POWER SWITCHING REGULATOR

TC33369/70/1/2/3/4

## TYPICAL CHARACTERISTICS

Figure 1. Oscillator Frequency Change vs. Temperature

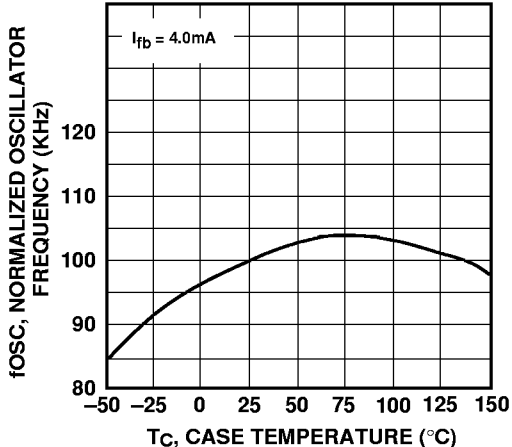


Figure 2. State Control Input Current vs. Input Voltage

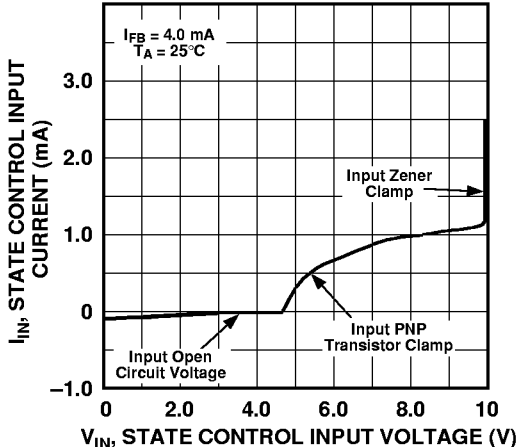


Figure 3. State Control Input Threshold Voltage vs. Temperature

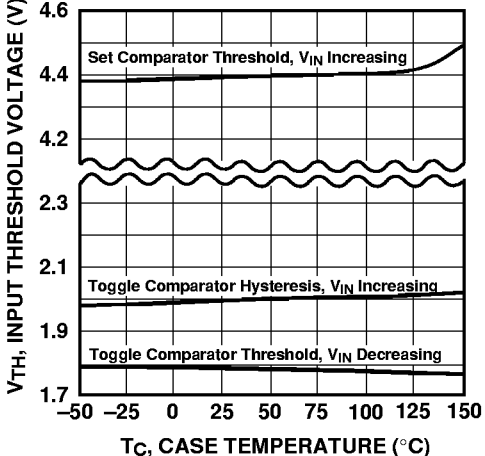


Figure 4. State Control Input Open Circuit and Clamp Voltages vs. Temperature

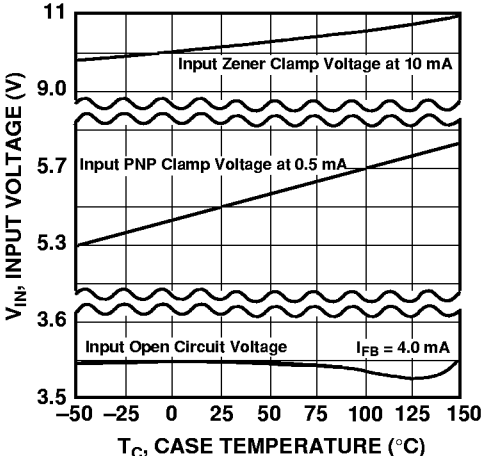


Figure 5. Power Switch Circuit Output Duty Cycle vs. Feedback Input Current

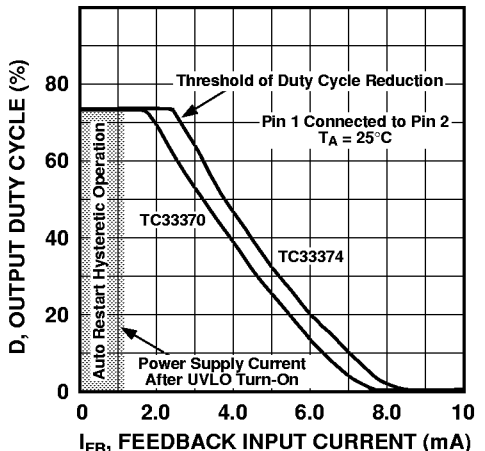
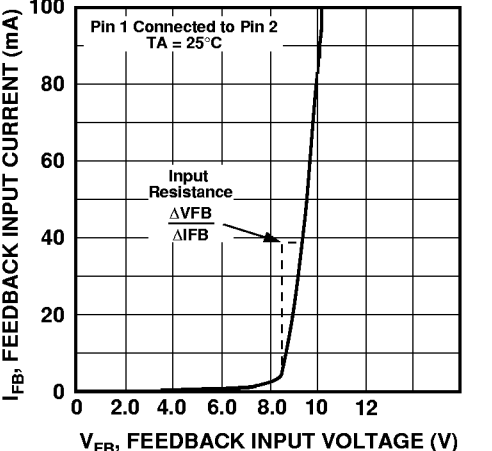


Figure 6. Feedback Input Current vs. Input Voltage



## TYPICAL CHARACTERISTICS

Figure 7. Feedback Input Shunt Regulation Voltage and Current vs. Temperature

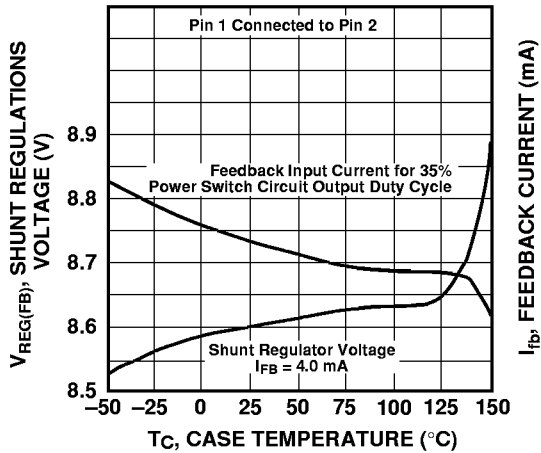


Figure 8. Undervoltage Lockout Thresholds vs. Temperature

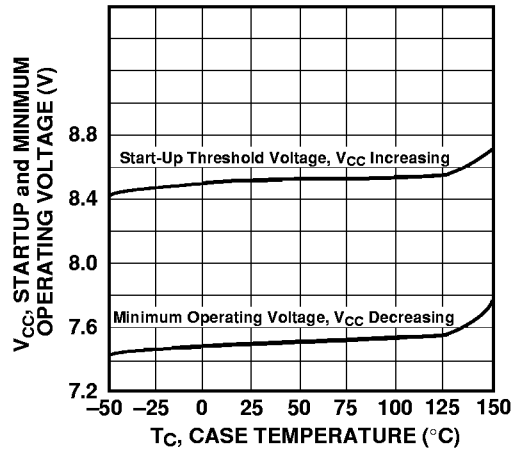


Figure 9. Start-Up Circuit Current vs. Pin 5 Voltage

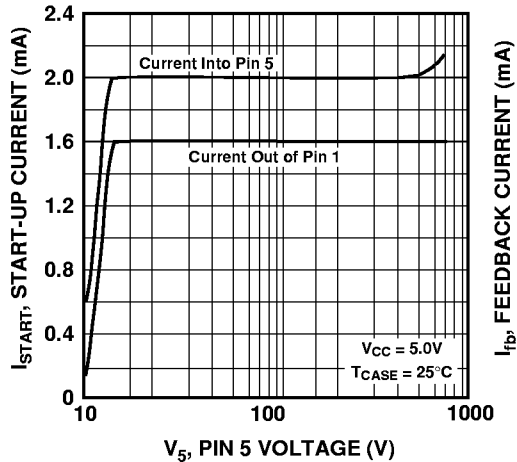


Figure 10. Start-Up Circuit Current vs. Power Supply Voltage

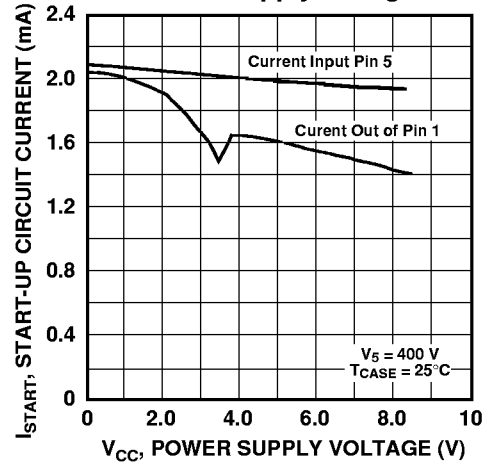


Figure 11. Power Switch Circuit Current Limit Threshold vs. Temperature

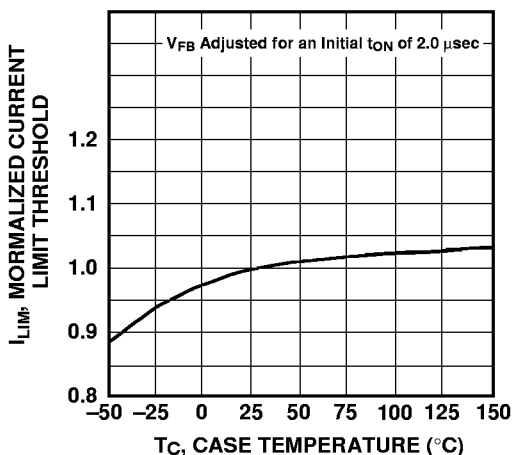
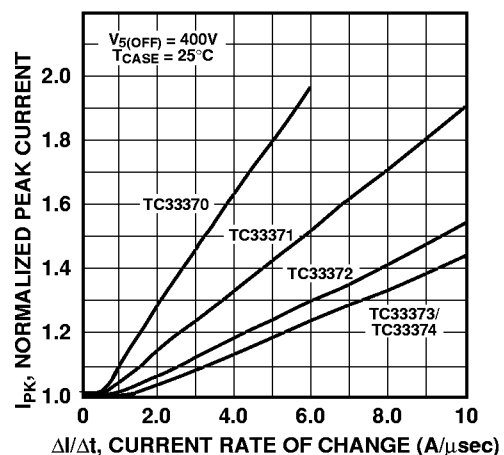


Figure 12. Power Switch Circuit Peak Current vs. Current Rate of Change



# HIGH VOLTAGE POWER SWITCHING REGULATOR

TC33369/70/1/2/3/4

## TYPICAL CHARACTERISTICS

Figure 13. Power Switch Circuit vs. Pin 5 Voltage

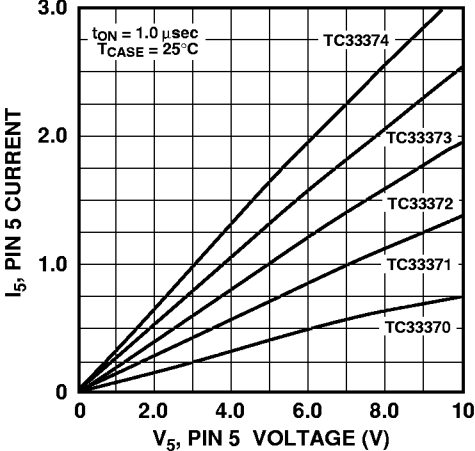


Figure 14. Normalized Power Switch Circuit On-Resistance Pin 5 to Pin 3 vs. Temperature

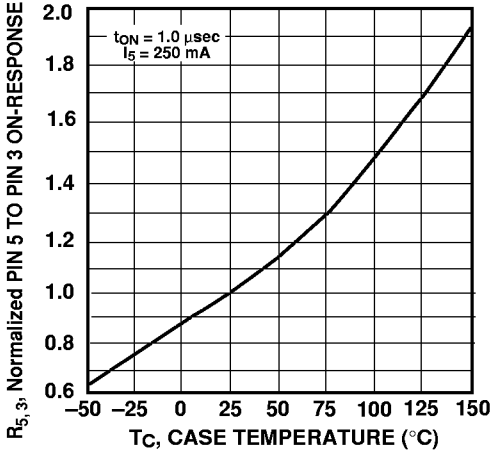


Figure 15. Power Switch Circuit Off-State Current vs. Voltage

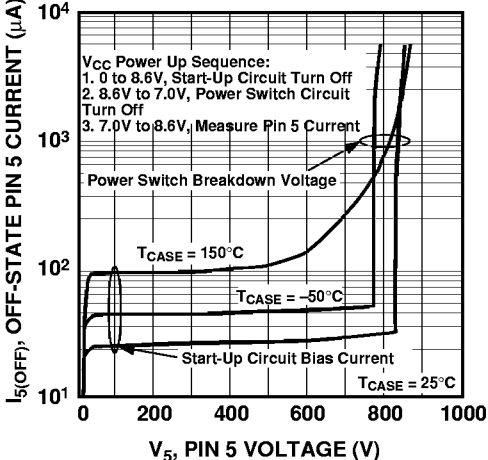
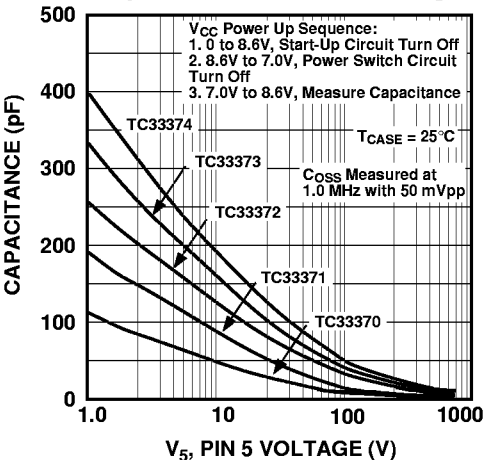


Figure 16. Power Switch Circuit Capacitance vs. Pin 5 Voltage



# HIGH VOLTAGE POWER SWITCHING REGULATOR

TC33369/70/1/2/3/4

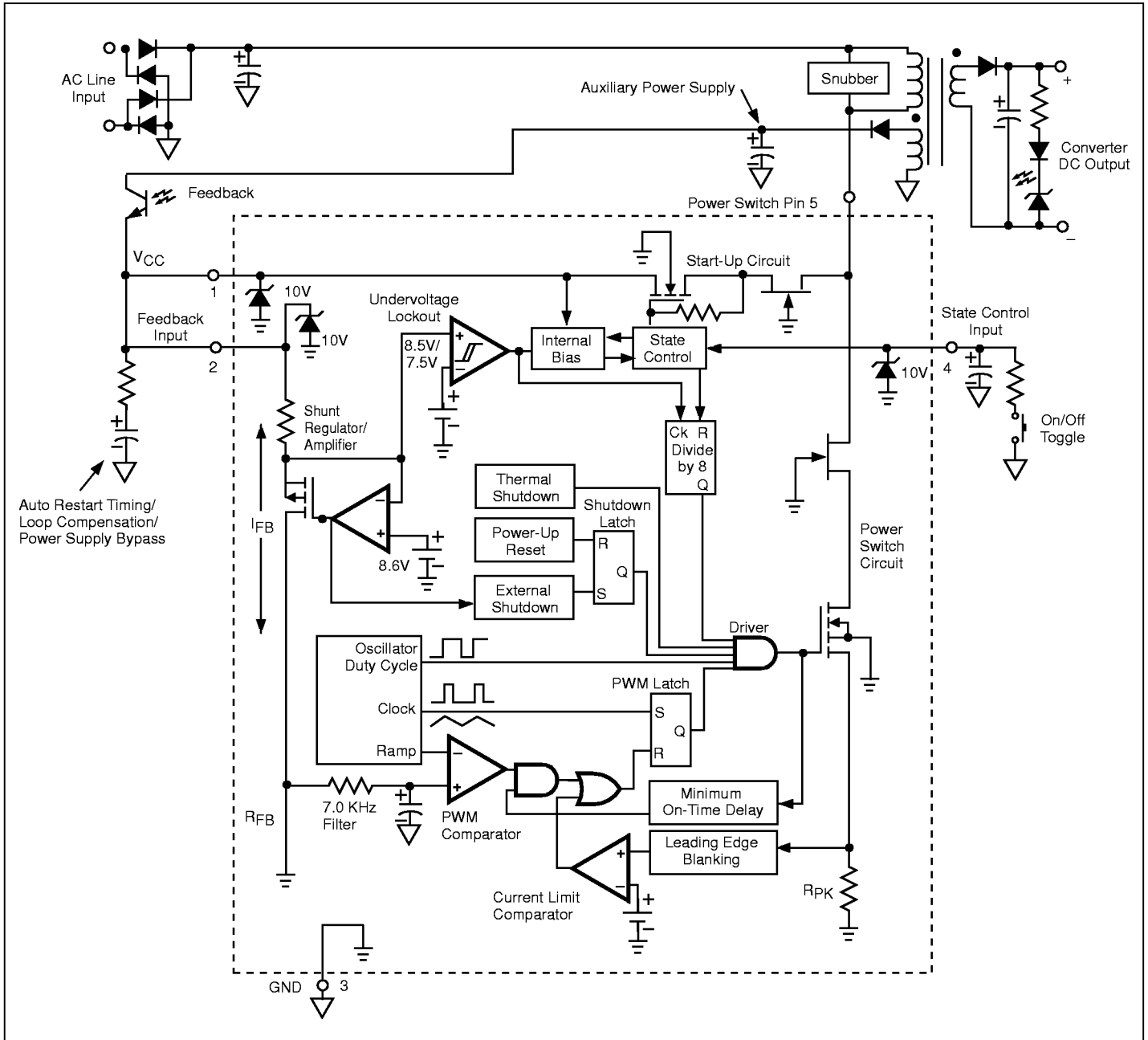


Figure 17. TC33369 – TC33374 Block Diagram

# HIGH VOLTAGE POWER SWITCHING REGULATOR

TC33369/70/1/2/3/4

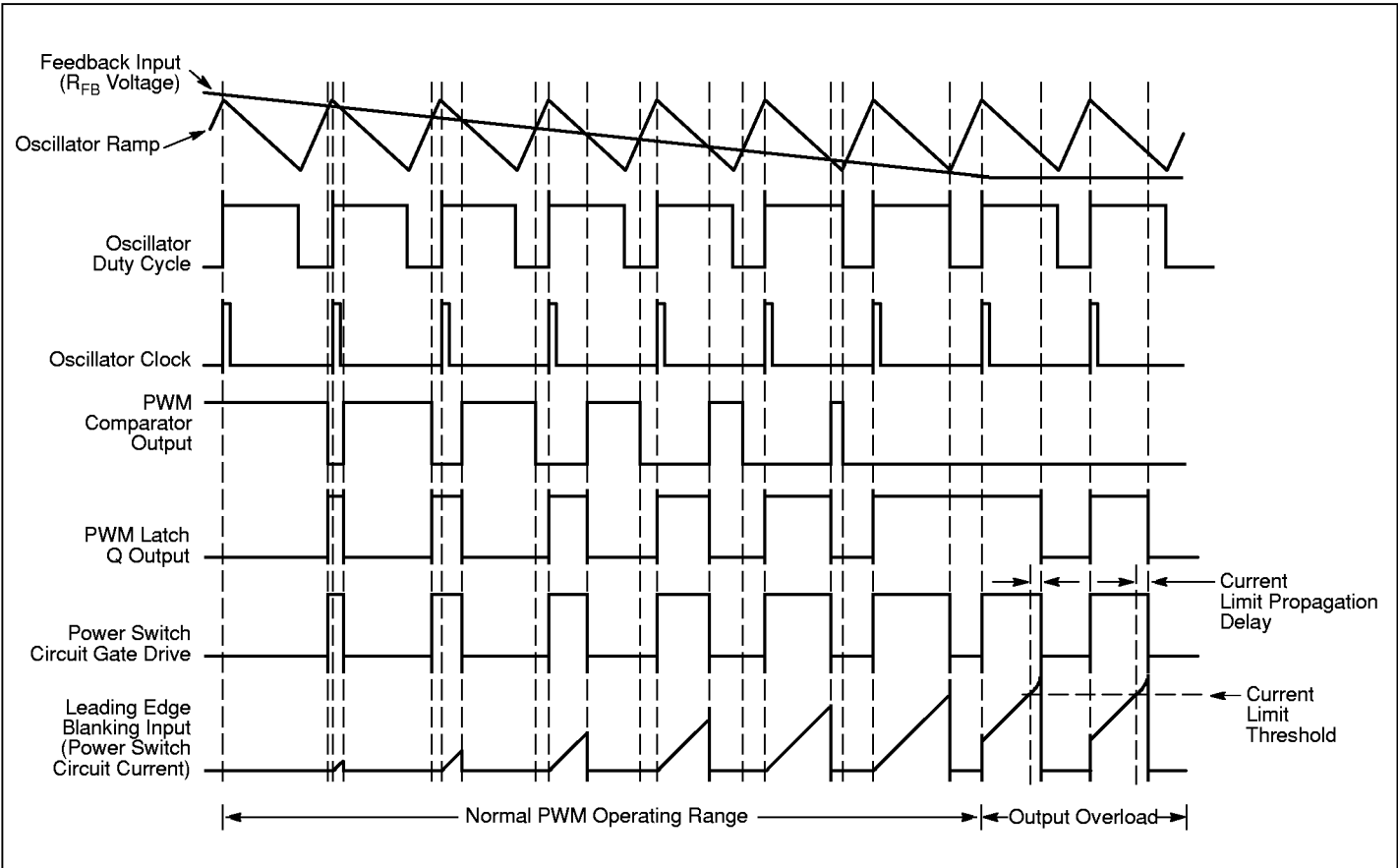


Figure 18. Pulse Width Modulation Timing Diagram

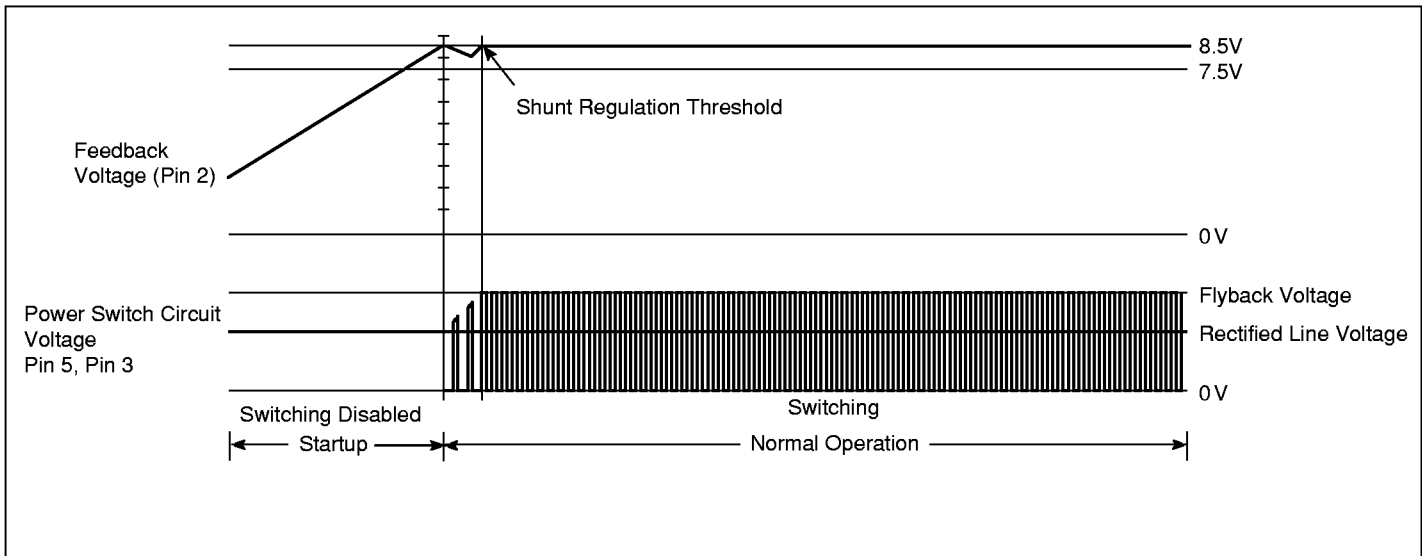


Figure 19. Startup and Normal Operation Timing Diagram



# HIGH VOLTAGE POWER SWITCHING REGULATOR

TC33369/70/1/2/3/4

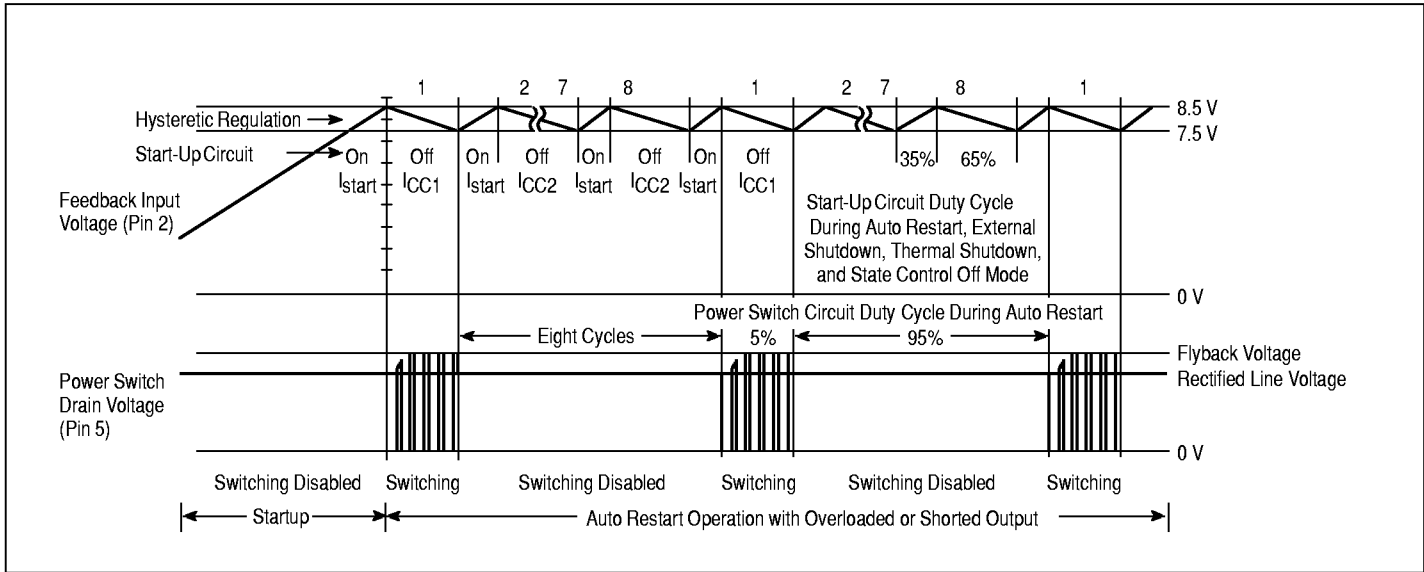


Figure 20. Auto Restart Operation Timing Diagram

# HIGH VOLTAGE POWER SWITCHING REGULATOR

TC33369/70/1/2/3/4

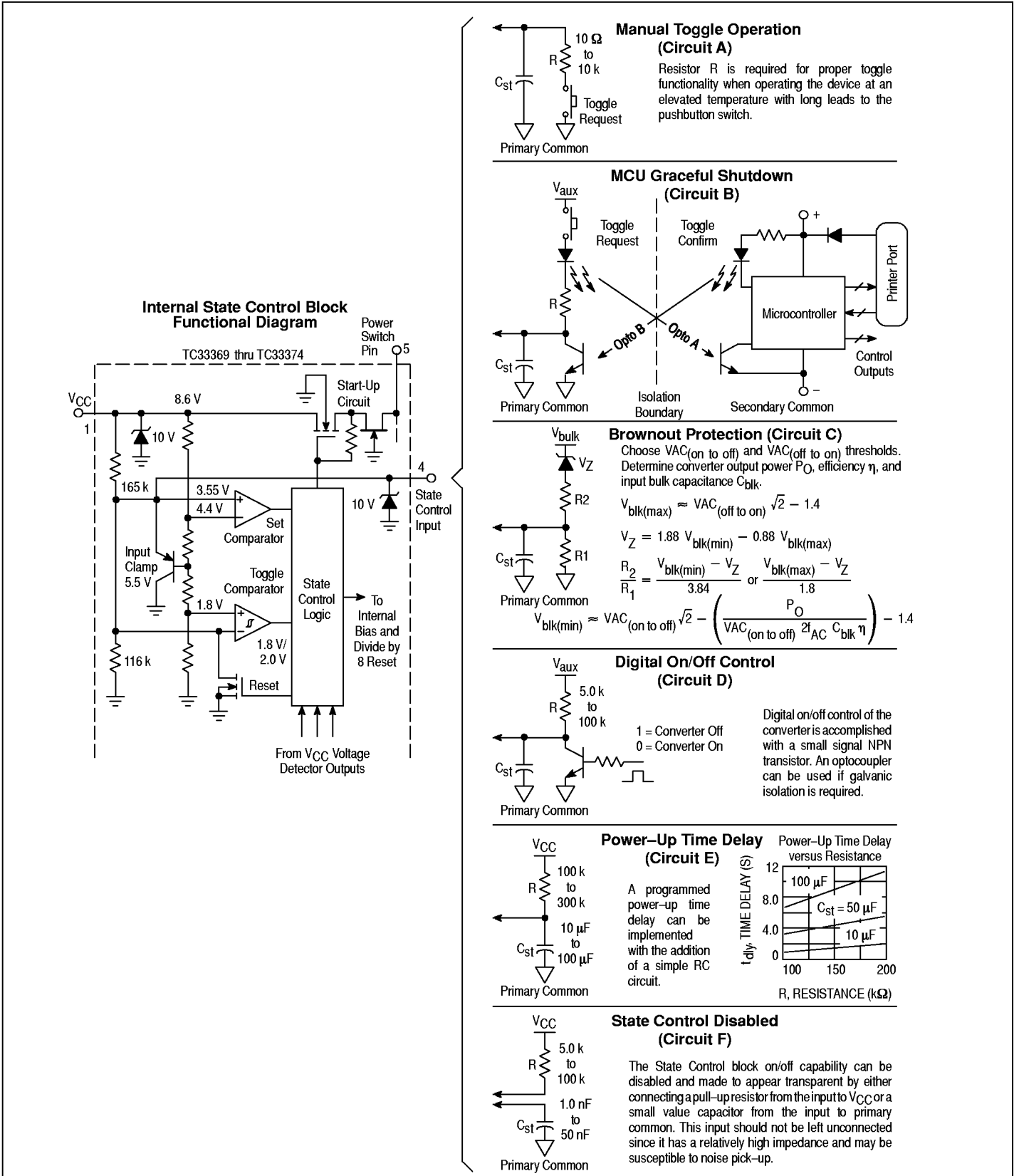


Figure 21. State Control Block with Input Control Examples

# HIGH VOLTAGE POWER SWITCHING REGULATOR

TC33369/70/1/2/3/4

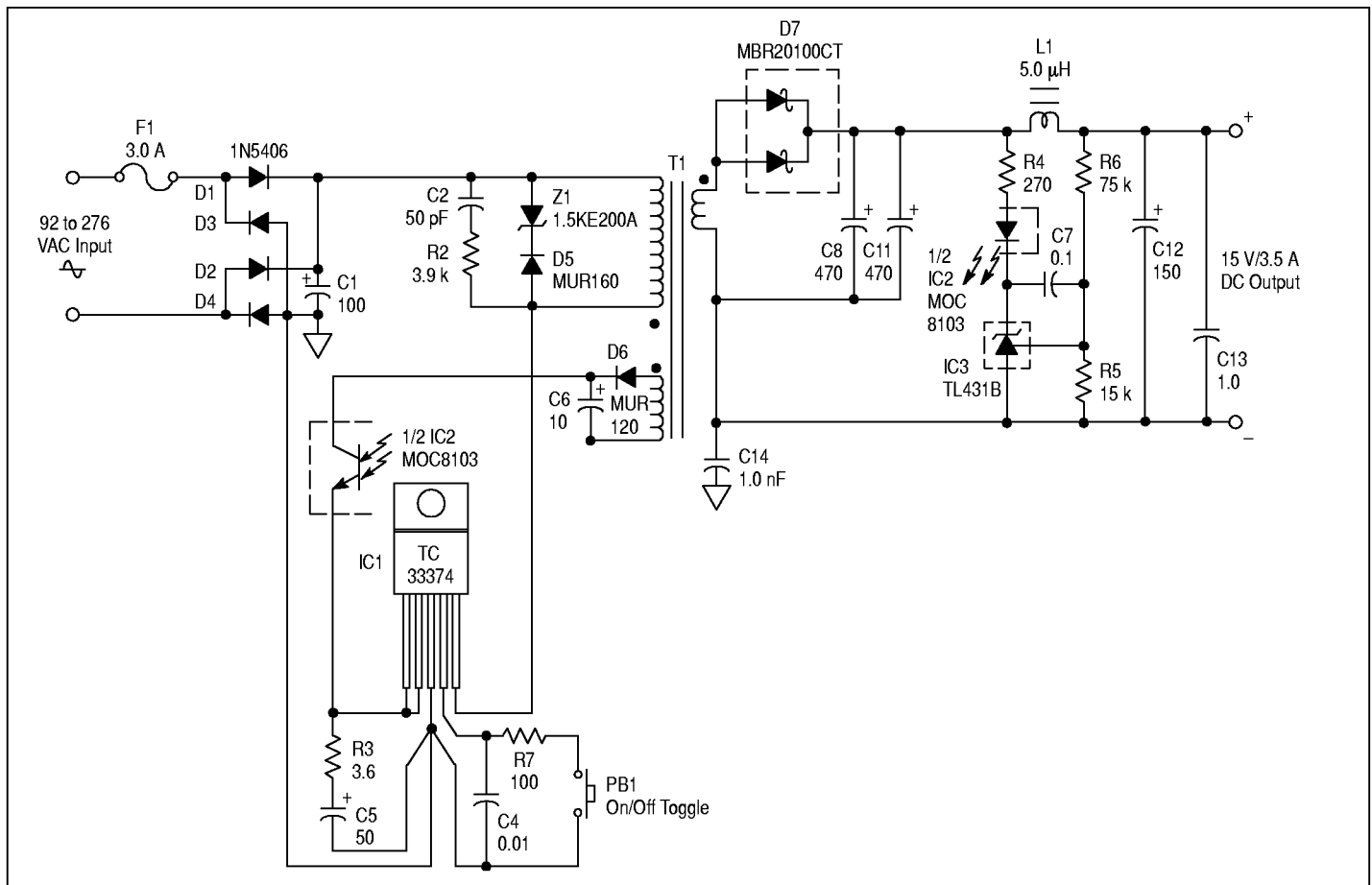


Figure 22. Universal Input 52W Off-Line Converter

Table 2. Converter Test Data

Test	Conditions	Results
Line Regulation	$V_{IN} = 92 \text{ Vac to } 276 \text{ Vac}, I_O = 3.5 \text{ A}$	$\Delta = 2.0 \text{ mV}$
Load Regulation	$V_{IN} = 115 \text{ Vac}, I_O = 0.35 \text{ A to } 3.5 \text{ A}$	$\Delta = 9.0 \text{ mV}$
	$V_{IN} = 230 \text{ Vac}, I_O = 0.35 \text{ A to } 3.5 \text{ A}$	$\Delta = 13 \text{ mV}$
Output Ripple	$V_{IN} = 92 \text{ Vac to } 276 \text{ Vac}, I_O = 3.5 \text{ A}$	Total = $170 \text{ mV}_{p-p}$
Efficiency	$V_{IN} = 115 \text{ Vac}, I_O = 3.5 \text{ A}$	84.4%
	$V_{IN} = 230 \text{ Vac}, I_O = 3.5 \text{ A}$	86.2%
AC Input Power	$V_{IN} = 115 \text{ Vac}, \text{ Converter Toggle Off}$	0.06W
	$V_{IN} = 230 \text{ Vac}, \text{ Converter Toggle Off}$	0.19W

This data was taken with the components listed below mounted on the printed circuit board shown in Figure 24.

**C8, C11** = Sanyo Os-Con #16SA470M, 470mF/16V.

**C12** = Sanyo Os-Con #16SA150M, 150mF/16V.

**IC1, D7** = TC33374, MBR20100 mounted on Aavid #590302B03600 heatsink.

**L1** = Coilcraft S5088-A, 5.0 mH, 0.011  $\Omega$ .

**T1** = Coilcraft

**Primary:** 49 turns of #24 AWG, Pin 6 = start, Pin 5 = finish. Two layers 0.002" Mylar tape.

**Secondary:** 9 turns of #21 AWG, 2 strands bifilar wound, Pins 1 and 2 = start, Pins 9 and 10 = finish. Two layers 0.002" Mylar tape.

**Auxiliary:** 7 turns of #24 AWG wound in center of bobbin, Pin 7 = Start, Pin 4 = Finish.

**Gap:** 0.017" total for a primary inductance (L P) of 345 mH, with a primary to secondary leakage inductance of 14 mH.

**Core:** Ferrite International E24/25 (E25/10/6) TSF-7070 material.

**Bobbin:** Philips E24-25PCB1-10, Pins 3 and 8 removed.

# HIGH VOLTAGE POWER SWITCHING REGULATOR

## TC33369/70/1/2/3/4

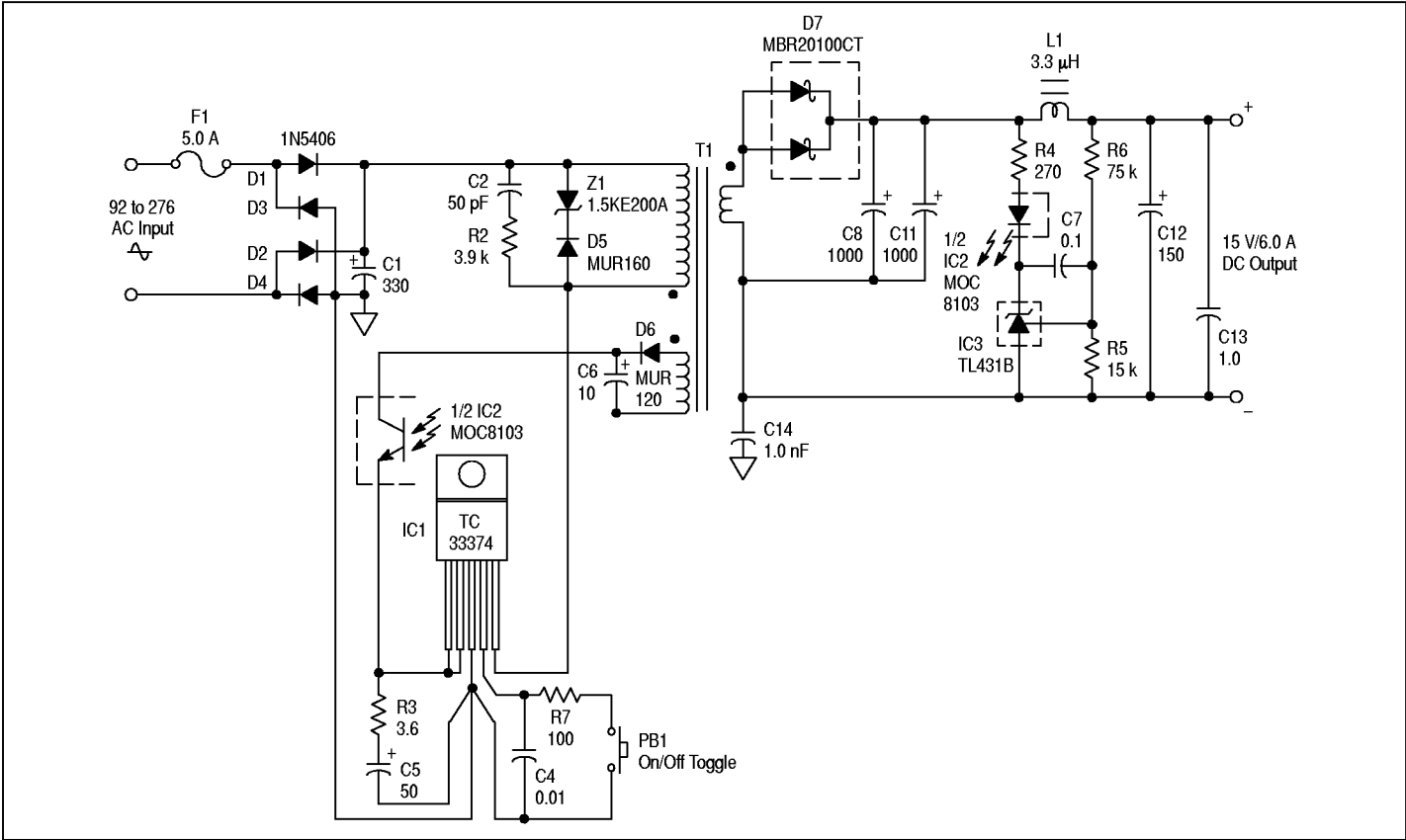


Figure 23. Universal Input 90W Off-Line Converter

**Table 3. Converter Test Data**

Test	Conditions	Results
Line Regulation	$V_{IN} = 92 \text{ Vac to } 276 \text{ Vac}, I_O = 6.0A$	$\Delta = 24 \text{ mV}$
Load Regulation	$V_{IN} = 115 \text{ Vac}, I_O = 0.6 \text{ A to } 6.0A$	$\Delta = 26 \text{ mV}$
	$V_{IN} = 230 \text{ Vac}, I_O = 0.6 \text{ A to } 6.0A$	$\Delta = 10 \text{ mV}$
Output Ripple	$V_{IN} = 92 \text{ Vac to } 276 \text{ Vac}, I_O = 6.0A$	Total = 105 mV <sub>p-p</sub>
Efficiency	$V_{IN} = 115 \text{ Vac}, I_O = 6.0A$	83.2%
	$V_{IN} = 230 \text{ Vac}, I_O = 6.0A$	85.4%
AC Input Power	$V_{IN} = 115 \text{ Vac}, \text{ Converter Toggle Off}$	0.07W
	$V_{IN} = 230 \text{ Vac}, \text{ Converter Toggle Off}$	0.17W

This data was taken with the components listed below mounted on the printed circuit board shown in Figure 24.

**C8, C11** = Sanyo Os-Con #16SA1000M, 1000mF/16V.

**C12** = Sanyo Os-Con #16SA150M, 100mF/16V.

**IC1** = TC33374 mounted on Aavid #604953B02500 extruded heatsink. The heatsink must be drilled and tapped to allow device and PCB attachment.

**Z1** = 1.5KE200A with cathode lead soldered in the center of a 5/8" x 3/4" x 0.025" thick U-shaped copper heatsink.

**D7** = MBR20100 mounted on Aavid #590302B03600 heatsink.

**L1** = Coilcraft PCV-0-332-10, 3.3 mH, 0.005 Ω.

**T1** = Coilcraft

**Primary:** 34 turns of # 24 AWG, Pin 9 = start, Pin 6 = finish. Two layers 0.002" Mylar tape.

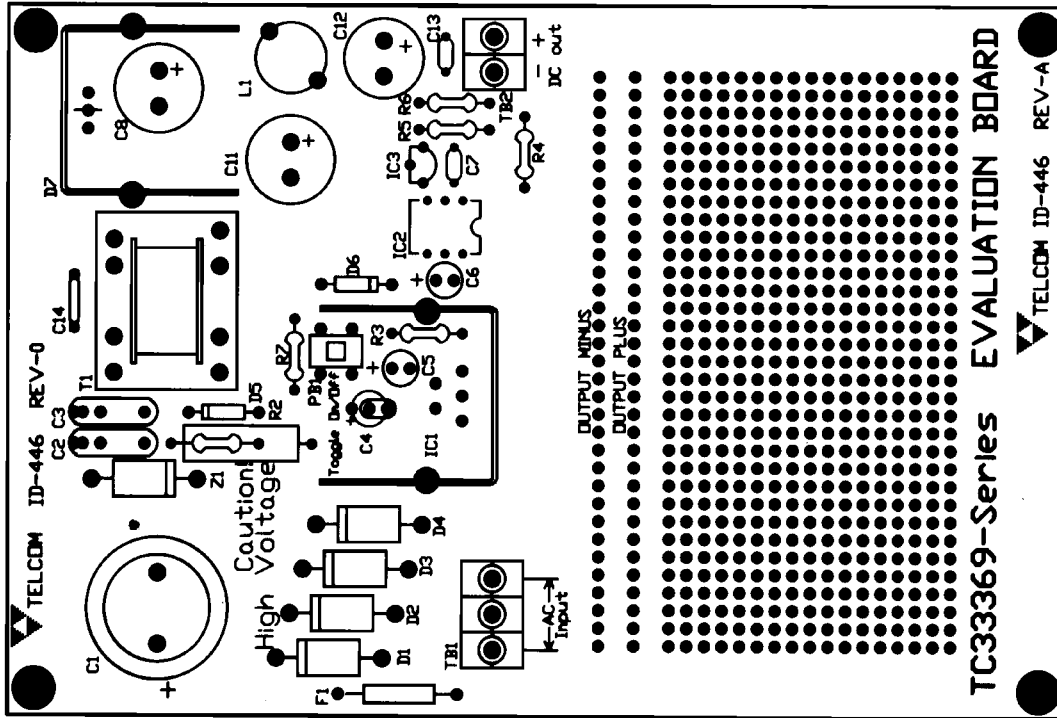
**Secondary:** 5 turns of # 20 AWG, 2 strands bifilar wound, Pins 4 and 5 = start, Pins 1 and 2 = finish. Two layers 0.002" Mylar tape.

**Auxiliary:** 4 turns of #24 AWG wound in center of bobbin, Pin 10 = Start, Pin 7 = Finish.

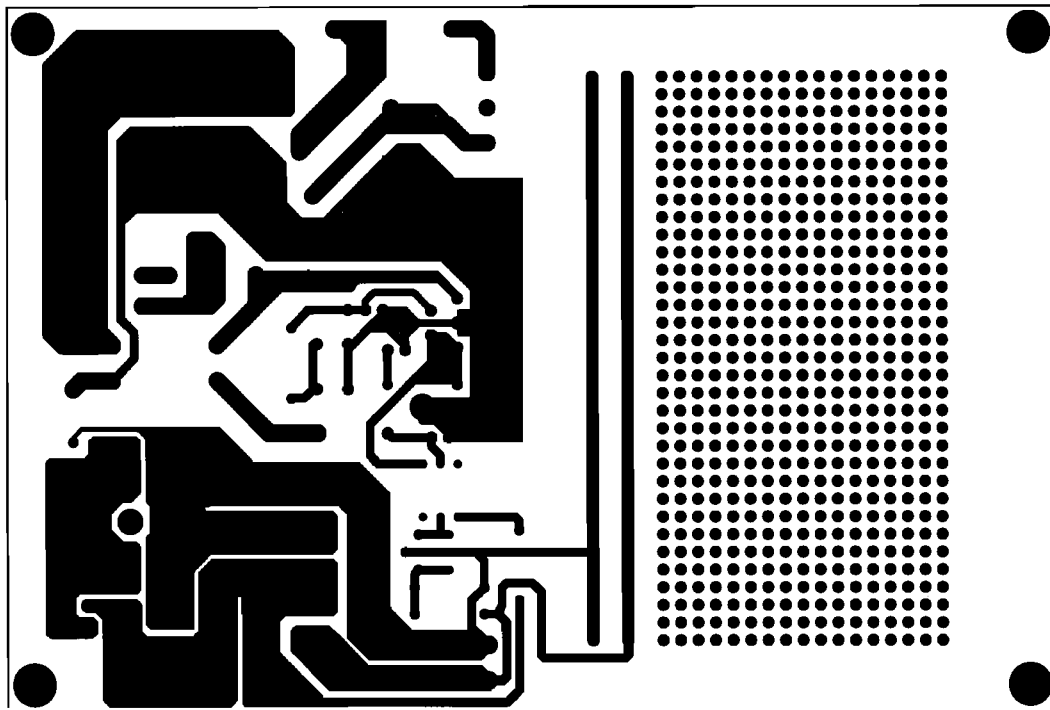
**Gap:** 0.022" total for a primary inductance (L<sub>p</sub>) of 290 mH, with a primary to secondary leakage inductance of 7.2 mH.

**Core:** TDK PC40 EI28Z, PC40 material.

**Bobbin:** TDK BE-28-1110CPL, Pins 3 and 8 removed.



Evaluation Board Top Layer



Evaluation Board Bottom Layer

Figure 24. Printed Circuit Board and Component Layout (Circuit of Figures 23 and 25)

## TC33369/70/1/2/3/4

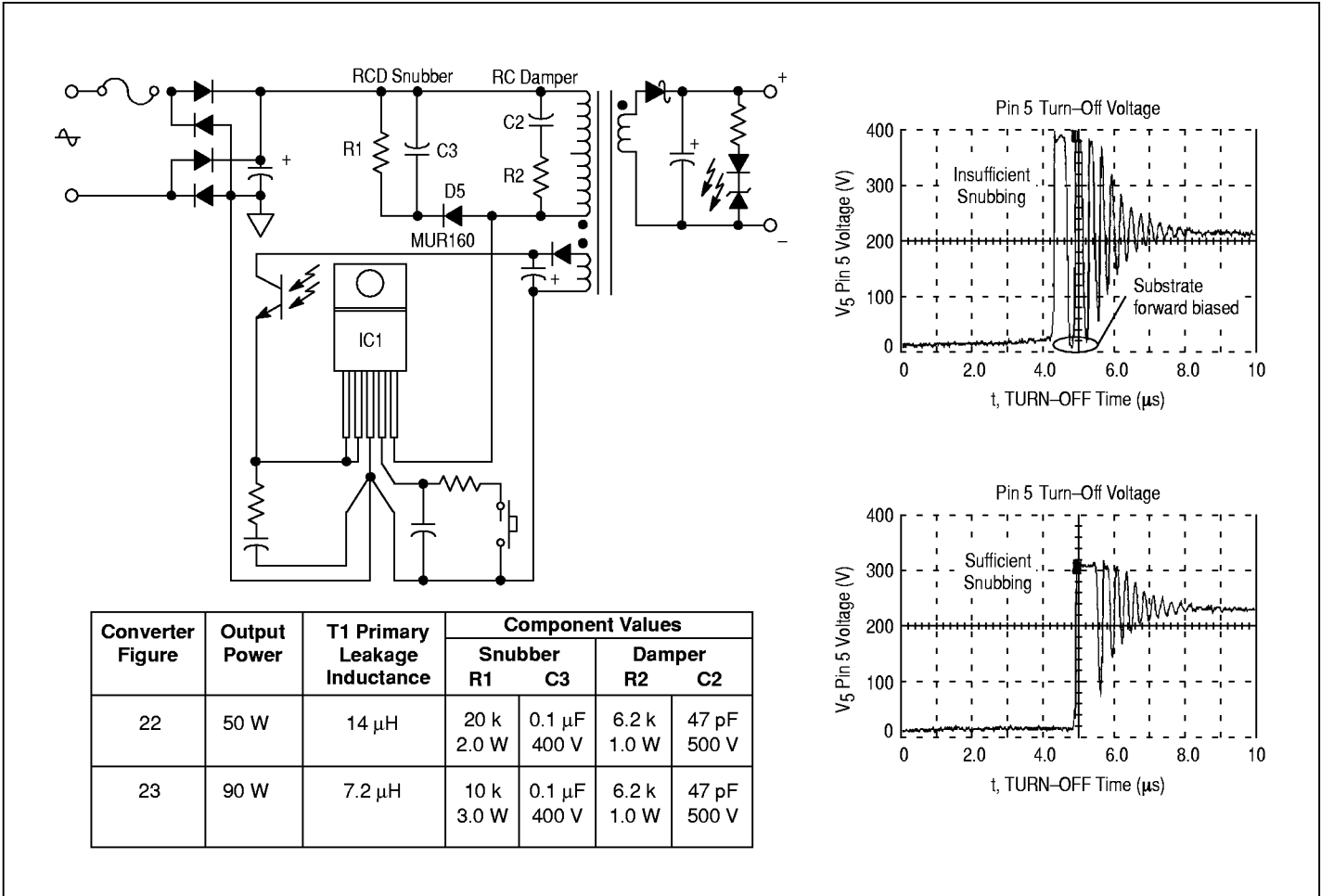


Figure 25. Snubber and Damper Circuits

Figures 22 and 23 use zener diode Z1 to limit the drain voltage and a damper circuit consisting of resistor R2 and capacitor C2. The zener can be replaced with the snubber circuit shown above consisting of resistor R1 and capacitor C3. The component values selected must insure that the drain turn-off voltage never exceeds 700V under all line voltage and load current conditions when using a transformer with the highest anticipated leakage inductance. There must also be sufficient snubbing and damping to prevent the turn-off voltage on Pin 5 from ringing below ground. This will cause forward biasing of the substrate and can result in additional device power dissipation and converter instability. Suggested snubber and damper compo-

nent values for Figures 22 and 23 are listed in the table above. The snubber and damper circuits will greatly reduce the radiated switching noise but there will be a slight penalty in converter efficiency.

In order to ensure proper device operation, the integrated circuit Ground, Pin 3, must connect as directly as possible to the printed circuit board ground foil. The ground pin should not be bent or offset by the board layout. The Power Switch Circuit, Pin 5, can be offset if additional creepage distance is required using a TV suffix product. Components R3 and C5 connect through separate and short copper traces to IC1. This will reduce the level of undesirable switching noise that appears on the Feedback Input and V<sub>CC</sub> pins.

# HIGH VOLTAGE POWER SWITCHING REGULATOR

TC33369/70/1/2/3/4

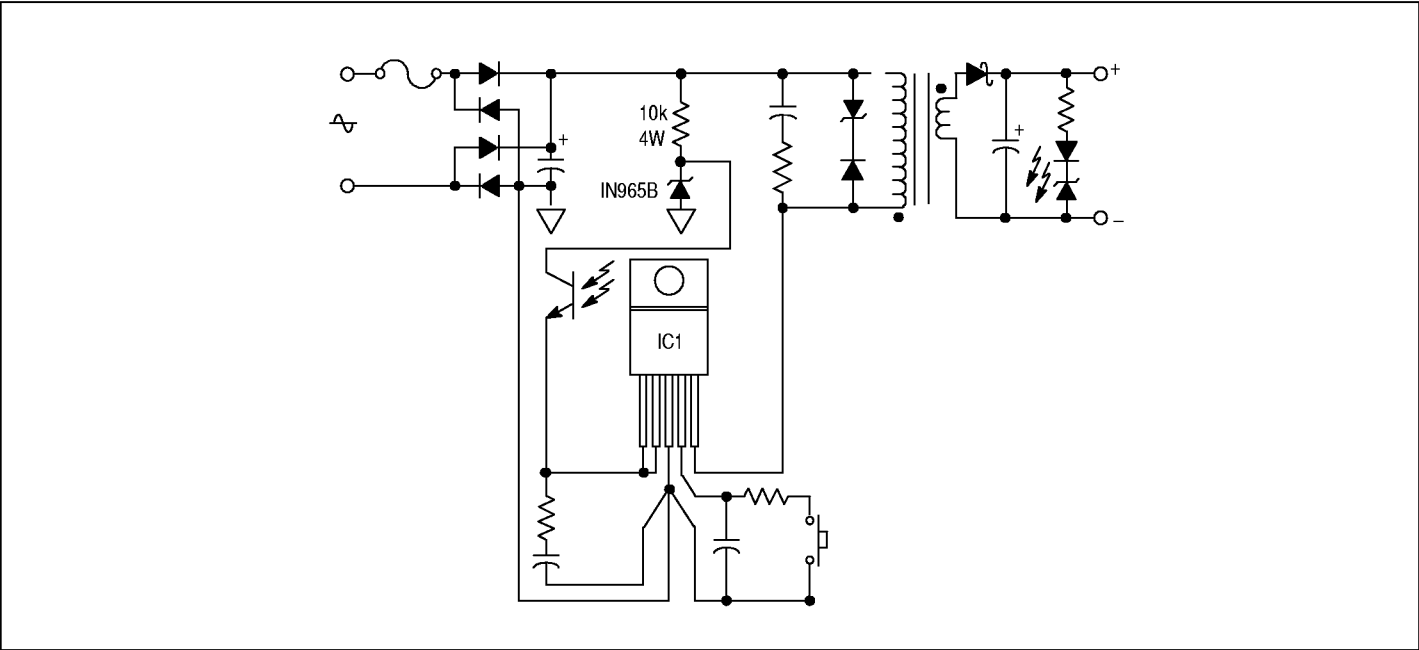


Figure 26. Transformer Auxiliary Winding Elimination Zener Shunt Regulator Method

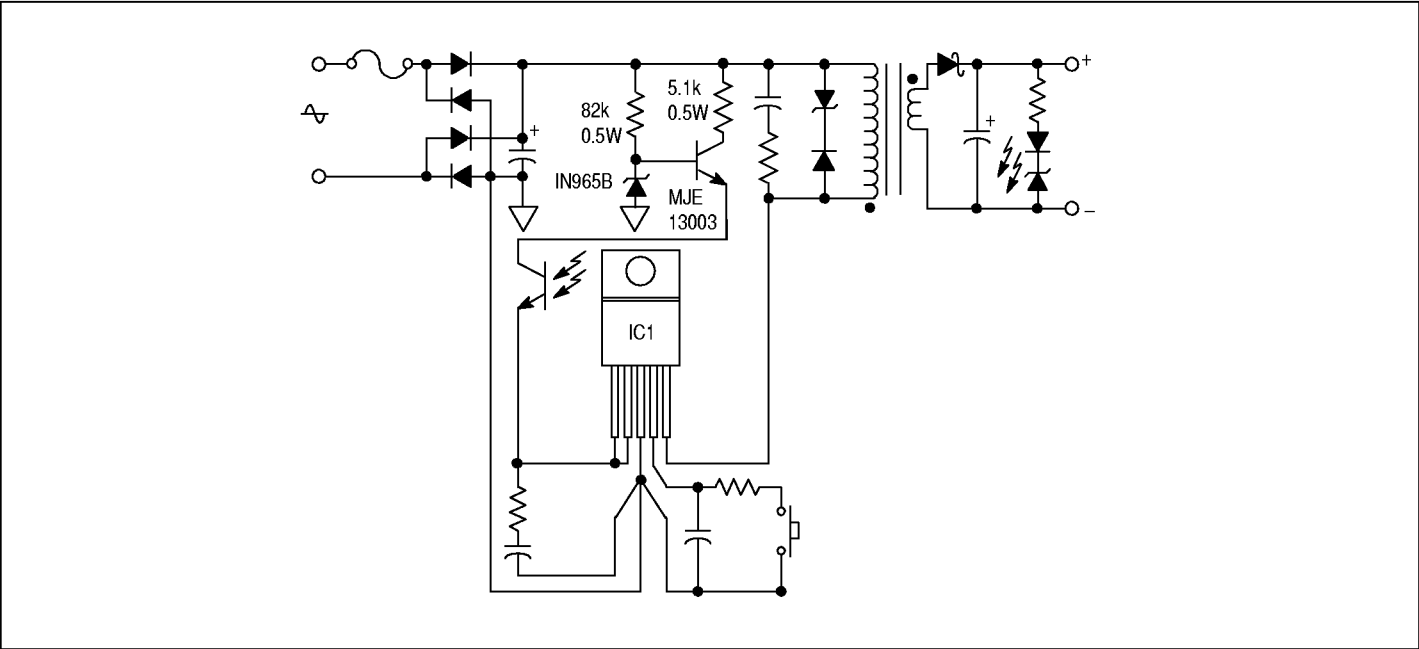
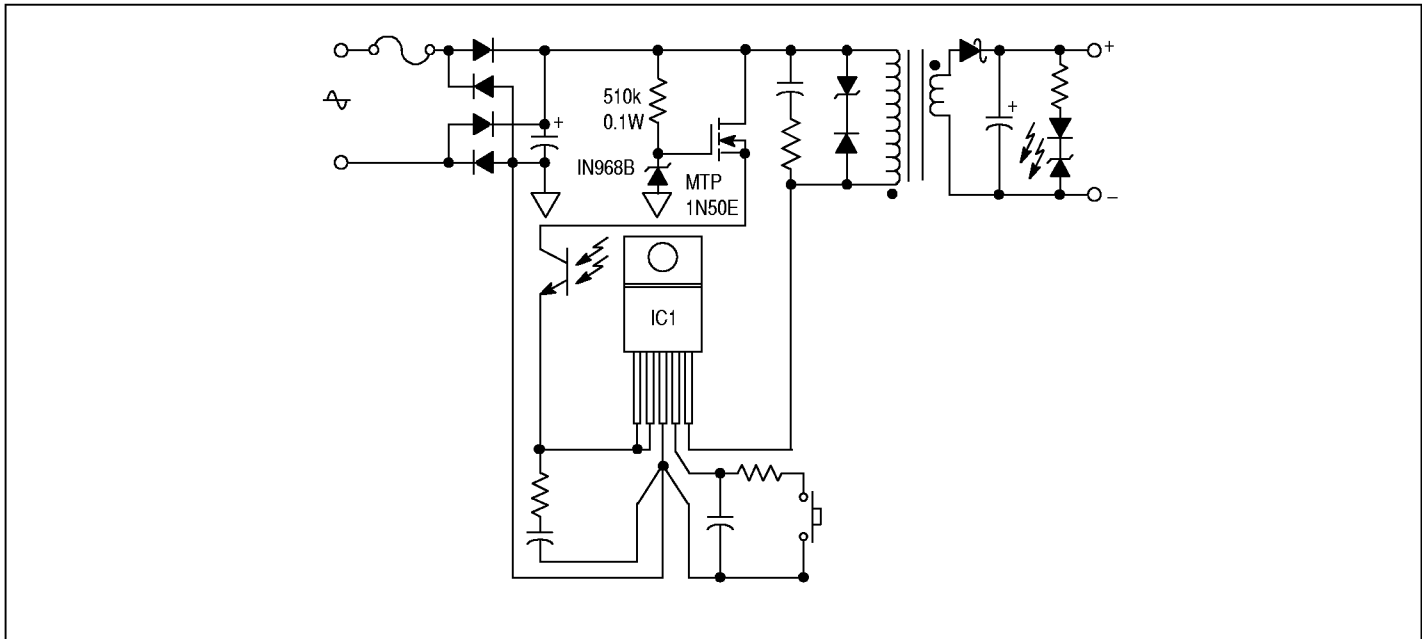


Figure 27. Transformer Auxiliary Winding Elimination Bipolar Transistor Series Regulator Method



**Figure 28. Transformer Auxiliary Winding Elimination MOSFET Transistor Series Regulator Method**

Figures 26 through 28 show three possible methods of eliminating the transformer auxiliary winding and the associated fast recovery diode and capacitor. These methods are most practical for fixed or narrow range AC line voltage applications. Care must be taken when used in wide range AC line voltage applications, as the power dissipation in the voltage dropping elements may become excessive.

The shunt regulator method is the most economical but the series pass methods dissipate less power when used in wide range line voltage applications. The MOSFET method is the most efficient since the gate requires essentially zero current. The component values shown in the above figures are for a nominal AC line voltage of 115 volts  $\pm 20\%$ .



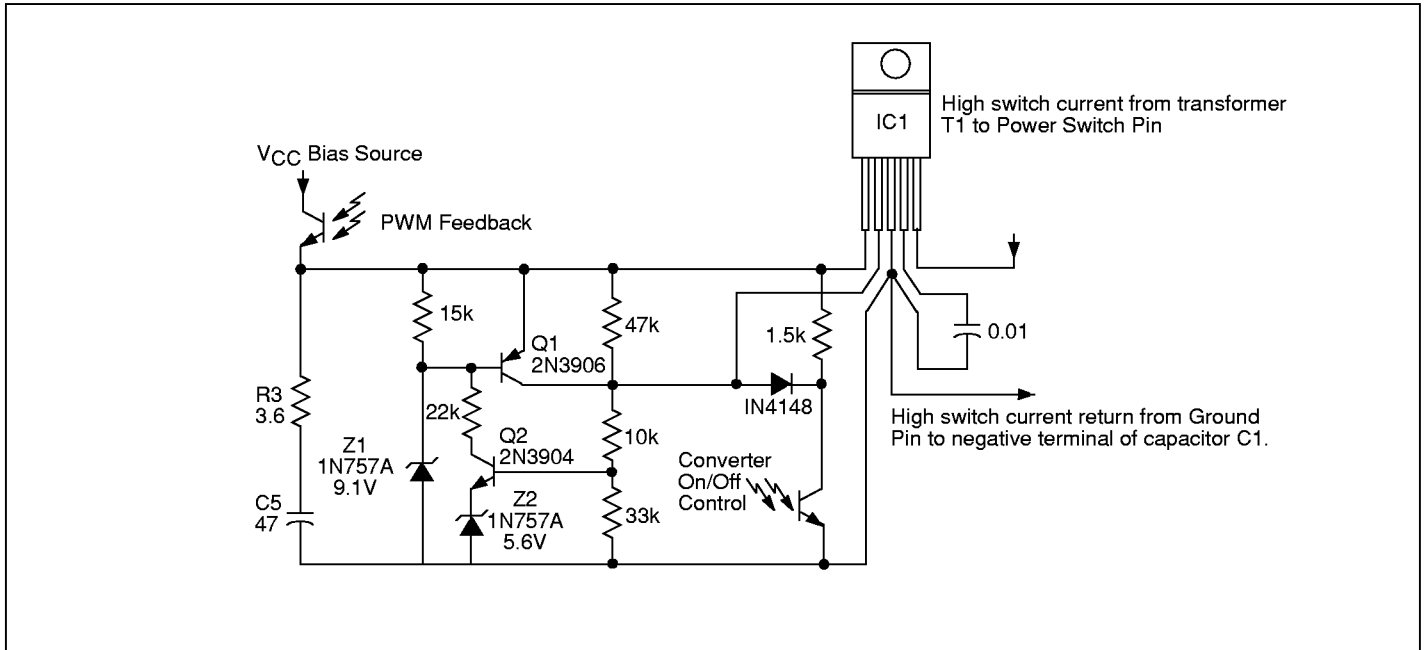


Figure 29. Converter Soft-Start

Converter soft-start can be implemented by separating the connection between Pins 1 and 2 with a resistor. Initially with the converter in the off state, the internal Start-Up Circuit charges capacitor C5 to a voltage that exceeds the VBE of Q1 plus the breakdown of Z1. This causes transistors Q1 and Q2 to latch on. Since the voltage at Pin 2 is now greater than the internal shunt regulator threshold, minimum duty cycle pulses appear at the Power Switch Circuit Pin 5. As the voltage across C5 approaches the regulation thresh-

old, the PWM duty cycle will gradually increase until regulation is established at the converter output. Upon converter power down, the transistor latch will turn off at approximately 8.0V which is slightly greater than the devices highest minimum operating voltage specification. This guarantees that soft-start will be active upon the next power-up cycle.

TC33369/70/1/2/3/4

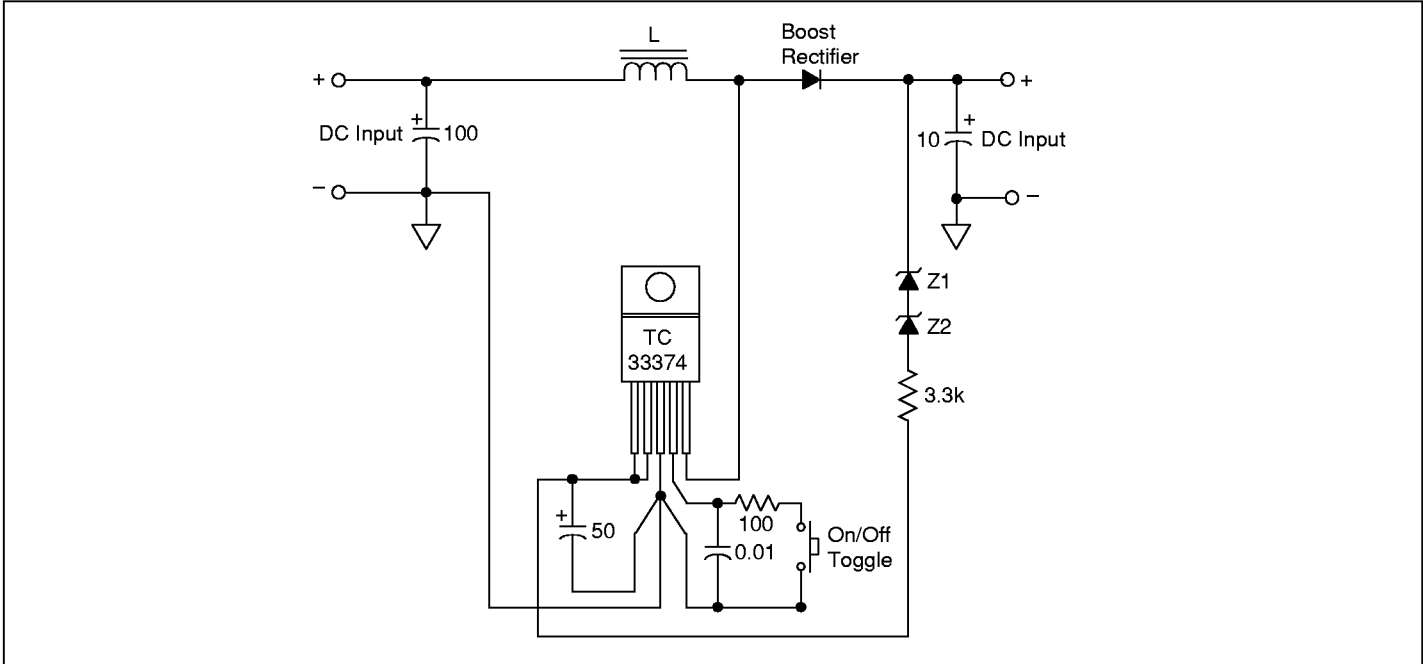


Figure 30. High Voltage Step-Up Converter

A simple transformerless high voltage step-up converter can be constructed with any of the devices in this series. The maximum output voltage of this topology is limited by the Power Switch Circuit breakdown of 700V minus the forward voltage drop of the boost rectifier. The converter requires a minimum input of 15V to guarantee start-up. The regulated output voltage is equal to the sum of

the zener voltage drops, plus the shunt regulator threshold, plus the voltage drop across the 3.3k resistor. The boost rectifier must be a schottky or fast recovery type with sufficient current and voltage capability to meet the converter's output requirements.

# HIGH VOLTAGE POWER SWITCHING REGULATOR

TC33369/70/1/2/3/4

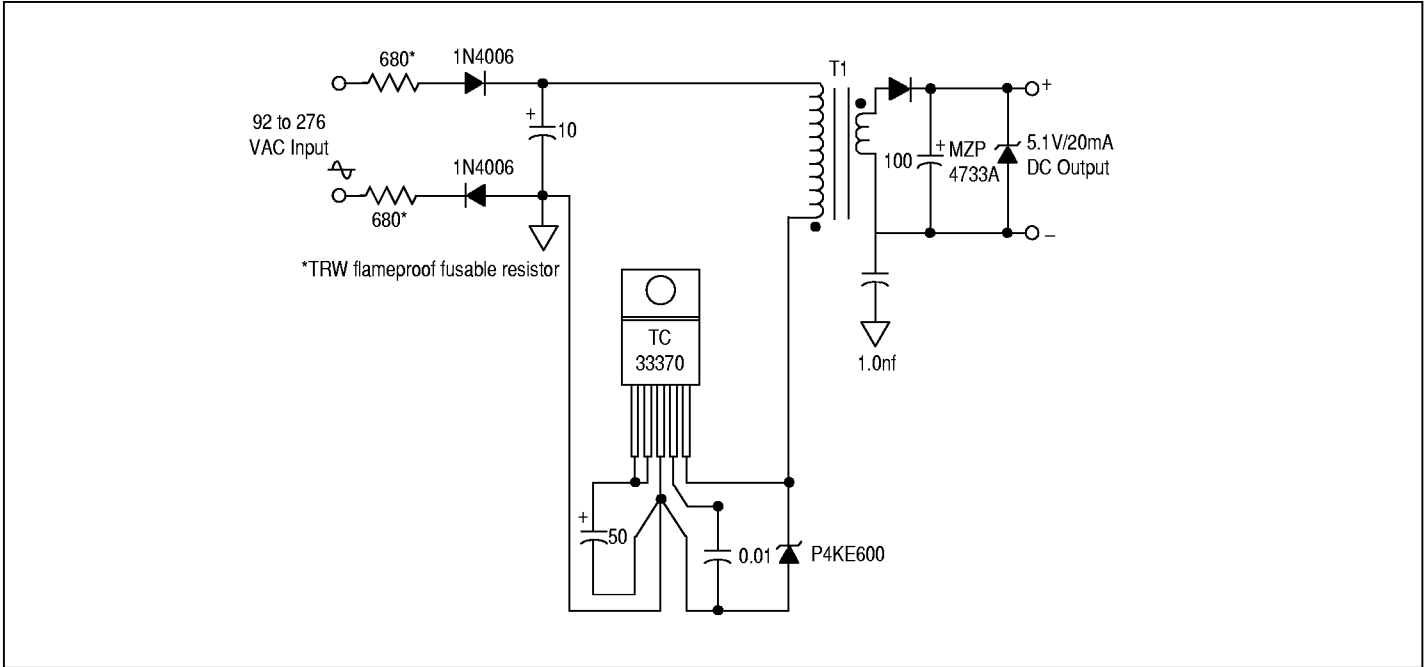


Figure 31. Low Power Off-Line Converter

The converter shown above was designed for cost sensitive low power applications that require a line isolated power source. Typical applications include consumer and industrial equipment. Note that the transformer auxiliary winding has been eliminated and the TC33370 operates continuously in the auto restart mode. This method of converter operation is capable of providing an output power of up to 200mW.

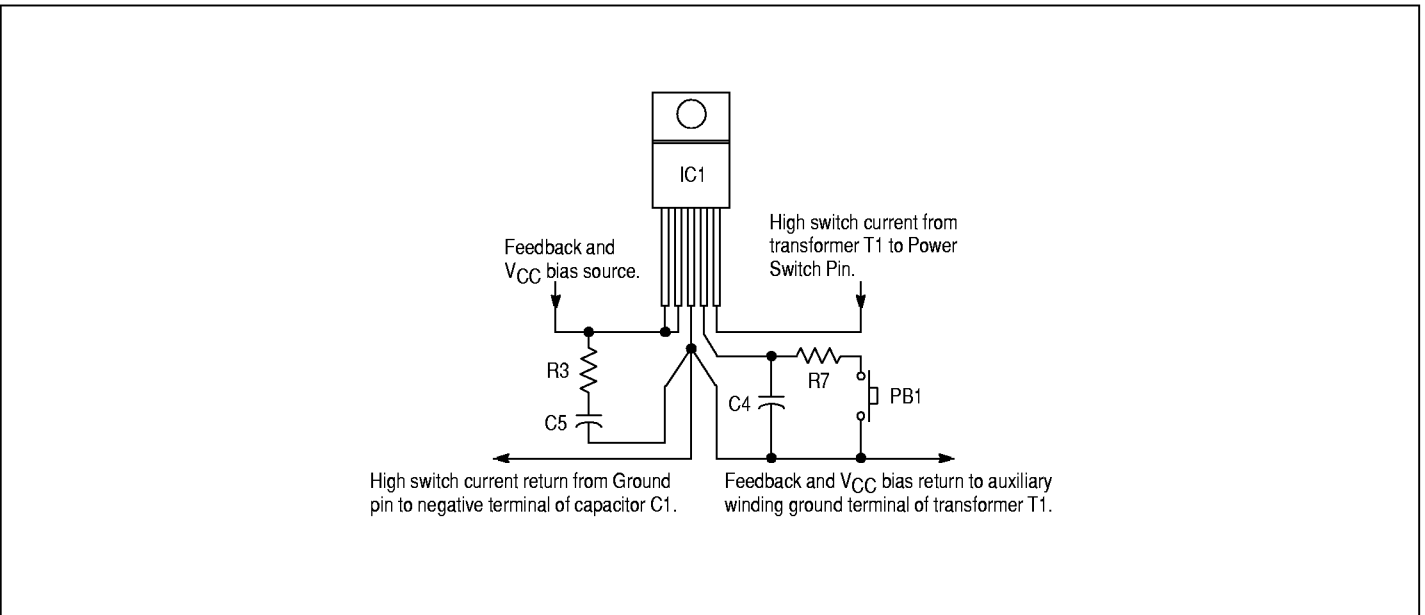


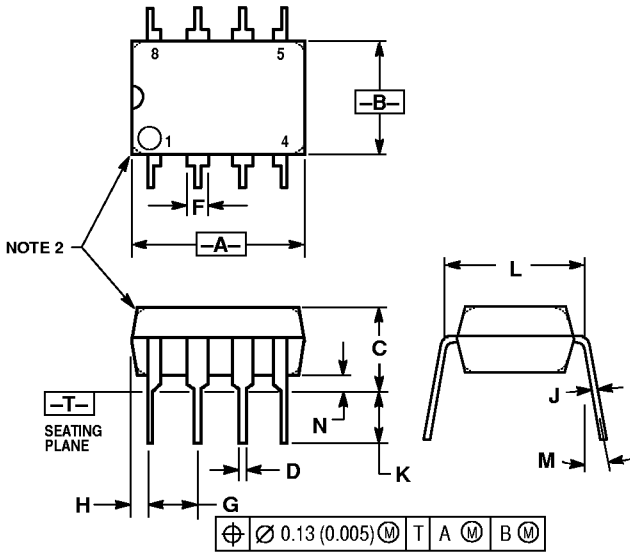
Figure 32. Recommended Printed Circuit Board Layout

# HIGH VOLTAGE POWER SWITCHING REGULATOR

TC33369/70/1/2/3/4

## PACKAGE DIMENSIONS

8-Pin DIP



- NOTES:
1. DIMENSION L TO CENTER OF LEAD WHEN FORMED PARALLEL.
  2. PACKAGE CONTOUR OPTIONAL (ROUND OR SQUARE CORNERS).
  3. DIMENSIONING AND TOLERANCING PER ANSI Y14.5M, 1982.

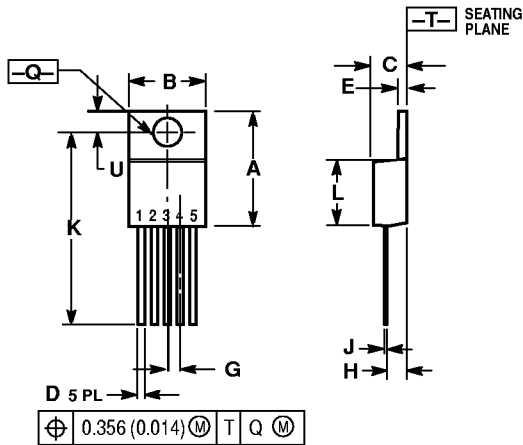
DIM	MILLIMETERS		INCHES	
	MIN	MAX	MIN	MAX
A	9.40	10.16	0.370	0.400
B	6.10	6.60	0.240	0.260
C	3.94	4.45	0.155	0.175
D	0.38	0.51	0.015	0.020
F	1.02	1.78	0.040	0.070
G	2.54 BSC		0.100 BSC	
H	0.76	1.27	0.030	0.050
J	0.20	0.30	0.008	0.012
K	2.92	3.43	0.115	0.135
L	7.62 BSC		0.300 BSC	
M	—		10°	
N	0.76	1.01	0.030	0.040

# HIGH VOLTAGE POWER SWITCHING REGULATOR

TC33369/70/1/2/3/4

## PACKAGE DIMENSIONS (Cont.)

### 5-Pin TO-220 Straight Lead

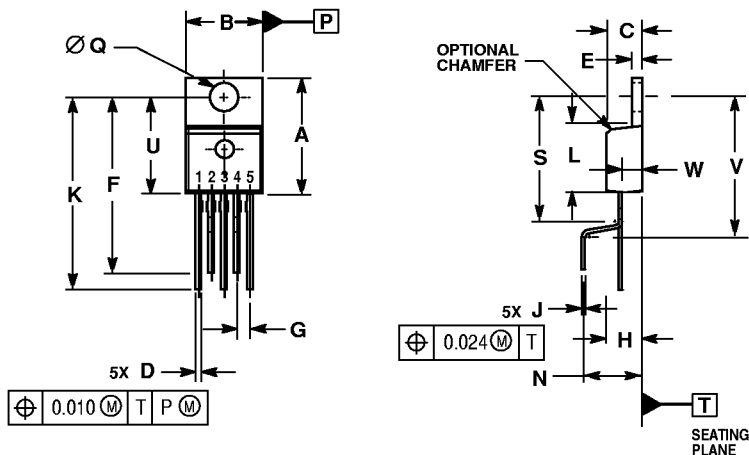


NOTES:

1. DIMENSIONING AND TOLERANCING PER ANSI Y14.5M, 1982.
2. CONTROLLING DIMENSION: INCH.
3. DIMENSION D DOES NOT INCLUDE INTERCONNECT BAR (DAMBAR) PROTRUSION. DIMENSION D INCLUDING PROTRUSION SHALL NOT EXCEED 10.92 (0.043) MAXIMUM.

DIM	INCHES		MILLIMETERS	
	MIN	MAX	MIN	MAX
A	0.572	0.613	14.529	15.570
B	0.390	0.415	9.906	10.541
C	0.170	0.180	4.318	4.572
D	0.025	0.038	0.635	0.965
E	0.048	0.055	1.219	1.397
G	0.067 BSC		1.702 BSC	
H	0.087	0.112	2.210	2.845
J	0.015	0.025	0.381	0.635
K	0.990	1.045	25.146	26.543
L	0.320	0.365	8.128	9.271
Q	0.140	0.153	3.556	3.886
U	0.105	0.117	2.667	2.972

### 5-Pin TO-220 Vertical Mount



NOTES:

1. DIMENSIONS ARE IN INCHES.
2. INTERPRET DIMENSIONS AND TOLERANCES PER ASME Y14.5M, 1994.
3. DIMENSION D DOES NOT INCLUDE DAMBAR PROTRUSION. ALLOWABLE DAMBAR PROTRUSION SHALL BE 0.005 TOTAL IN EXCESS OF THE D DIMENSION AT MAXIMUM MATERIAL CONDITION.

DIM	INCHES	
	MIN	MAX
A	0.572	0.613
B	0.390	0.415
C	0.170	0.180
D	0.025	0.038
E	0.048	0.055
F	0.890	0.930
G	0.067 BSC	
H	0.105 BSC	
J	0.015	0.025
K	0.900	1.000
L	0.320	0.365
N	0.259 BSC	
Q	0.140	0.153
S	—	0.620
U	0.468	0.505
V	—	0.718
W	0.090	0.100

## Sales Offices

**TelCom Semiconductor, Inc.**  
 1300 Terra Bella Avenue  
 P.O. Box 7267  
 Mountain View, CA 94039-7267  
 TEL: 650-968-9241  
 FAX: 650-967-1590  
 E-Mail: liter@telcom-semi.com

**TelCom Semiconductor, GmbH**  
 Lochhamer Strasse 13  
 D-82152 Martinsried  
 Germany  
 TEL: (011) 49 89 895 6500  
 FAX: (011) 49 89 895 6502

**TelCom Semiconductor H.K. Ltd.**  
 10 Sam Chuk Street, Ground Floor  
 San Po Kong, Kowloon  
 Hong Kong  
 TEL: (011) 852-2350-7380  
 FAX: (011) 852-2354-9957