

Data sheet

RT137xxHBWC Type 171

Page 1/5

P/N
311711xx

xx=number of poles

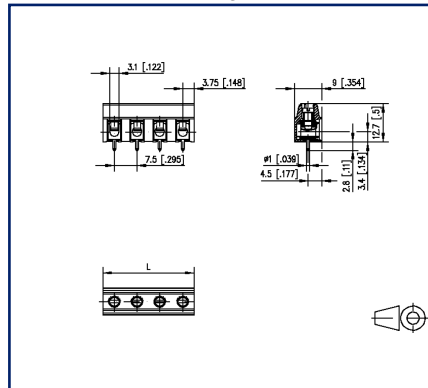
2023/06/26

Version: AC

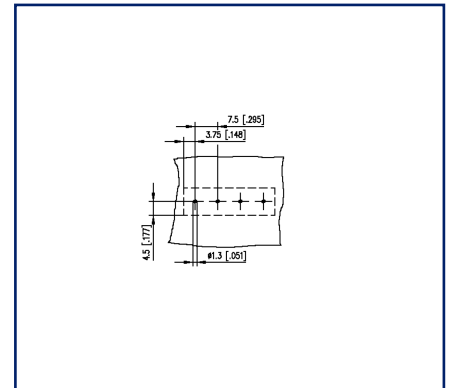
Illustrations



Dimensional drawing



Drill pattern





See enlarged drawings at the end of document

Product specification

- screw type terminal block, solderable
- centerline 7.50 mm, direction of connection 90°
- wire protector, fittable without loss of poles
- color black



Technical Data

General Data			
Tightening torque SEV	0.5 Nm		
Tightening torque UL	4.4 lb-in		
Solder pin length	2.8 mm		
min. number of poles	2		
max. number of poles	12		
Insulating material class	CTI 600		
clearance/creepage dist.	5.8 mm		
Protection category	IP20		
Min. insul. strip length	8 mm		
Rated current	16 A		
Overvoltage category	III	III	II
Pollution degree	3	2	2
Rated voltage	160 V	400 V	400 V
Rated test voltage	2.5 kV	2.5 kV	2.5 kV
Terminal data			
rat.wiring solid AWGmax	0.12 mm ² - 2.5 mm ² / AWG 26 - AWG 14		
rat.wiring strand.AWGmax	0.12 mm ² - 1.5 mm ² / AWG 26 - AWG 14		
Approvals			
 V / A / AWG	300 / 15 / 26 - 14		
approval UL - File No.	E121004		
 2.5 mm ²	450 V / 24 A / T60		
Material			
insulating material	PA66		
flammability class	V0		
terminal body thread	M3		
terminal body material	CuZnPb		
terminal body surface	Ni + Sn		
screw thread	M3		
screw material	8,8		
screw surface	Zn Cr(VI)-frei/free		

Data sheet
RT137xxHBWC Type 171

Page 3/5

P/N
311711xx

xx=number of poles

2023/06/26

Version: AC

Technical Data

wire protector material	CuSn
wire protector surface	Sn
Glow-Wire Flammability GWFI	960 °C acc. to IEC 60695-2-12
Glow-Wire Flammability GWIT	775 °C acc. to IEC 60695-2-13

Climatic Data

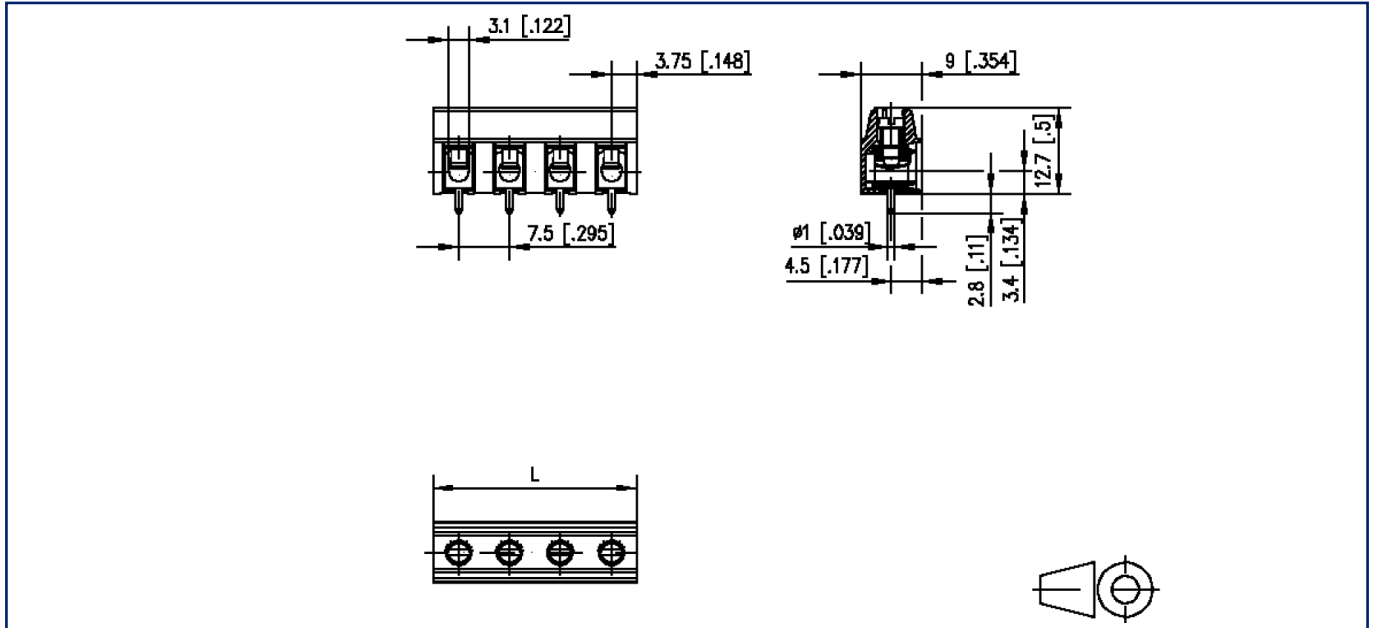
upper limit temperature	105 °C
lower limit temperature	-40 °C

general

Tolerance	ISO 2768 -mH
Solderability	Acc. to JEDEC JESD22-B102E 245°C/5s

Illustrations

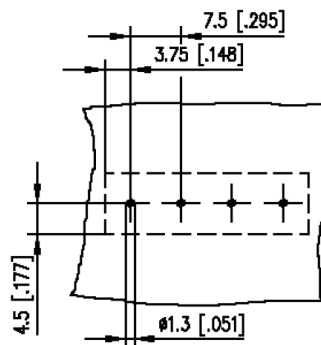
Dimensional drawing



$L = (\text{pole size} - 1) \times \text{centerline} + 7.5 \text{ mm } [0.295]$

Illustrations

Drill pattern



© 2023 METZ CONNECT - Technische Änderungen vorbehalten! Subject to modifications! Sous réserve de modifications techniques!

