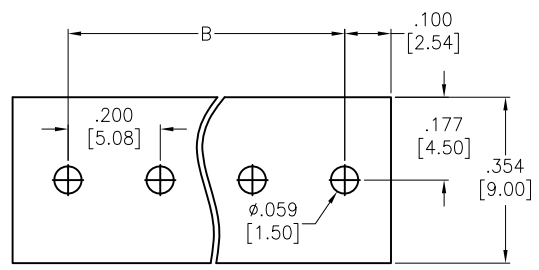
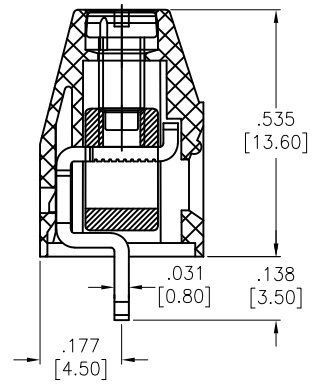
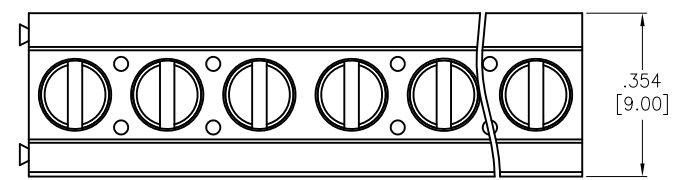


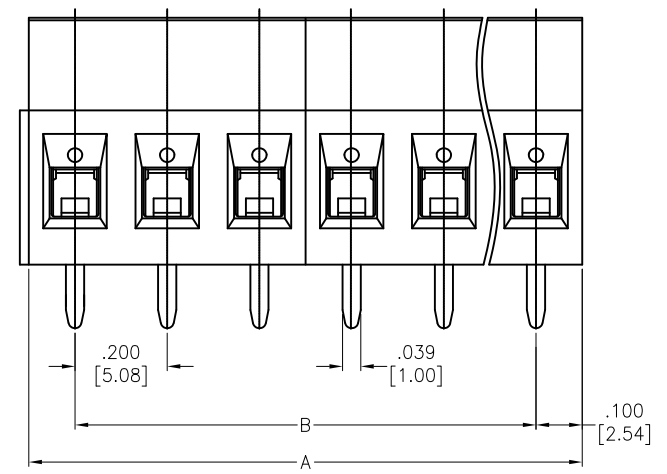
6	5	4	3	2	1		
APPROVED: _____			Rev	AWO #	Description	Date	Appr
DATE: _____ TITLE: _____			-		RELEASED	7/2/20	



RECOMMENDED PCB LAYOUT



SECTION A-A



SPECIFICATIONS:

Material:
 Insulator: PA66, rated UL 94V-0
 Insulator color: Green
 Contacts: Copper Alloy, Tin plated
 Screw: M2.5
 Electrical:
 Voltage rated: 300V
 Current rating: 16A
 Dielectric withstanding voltage: 1,600V for 1 minute
 Mechanical:
 Wire range: 22-12AWG
 Torque: 0.4Nm max
 Wire strip length: 6-7mm
 Temperature Rating:
 Operating temperature: -40°C to +105°C
 Environmental:
 Lead free, RoHS compliant.



Positions: 02 thru 24
 A = .200 [5.08] x No. of Positions
 B = .200 [5.08] x No. of Spaces

UNLESS OTHERWISE SPECIFIED ALL DIMENSIONS ARE INCHES [MM] TOLERANCES: EXCEPT AS NOTED		
INCHES		HOLES
.X ± .10	Ø.X ± .10	
.XX ± .020	Ø.XX ± .015	
.XXX ± .015	Ø.XXX ± .010	
APPROVALS		DATE
DRAWN	LH	7/2/20
CHECKED	BL	7/2/20
APPROVED		

ADAM TECH		909 Rahway Avenue, Union, NJ 07083 Phone: 908-687-5000 Fax: 908-687-5710	
INTERCONNECTS			
TITLE EURO BLOCK, .197 [5.08] PITCH			
SIZE X	PART NO. EBafa-XX-D	REV. -	
REF: S00067C	SCALE: NTS	SHEET 1 OF 1	