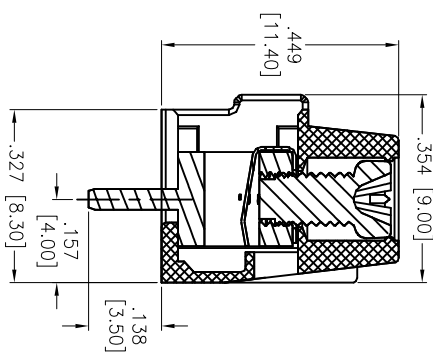
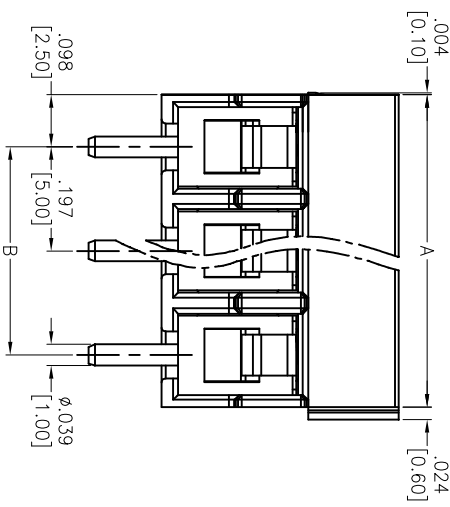
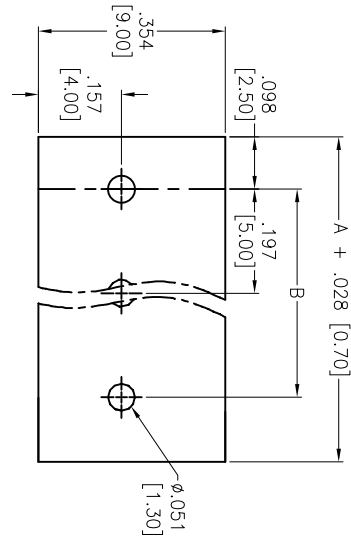
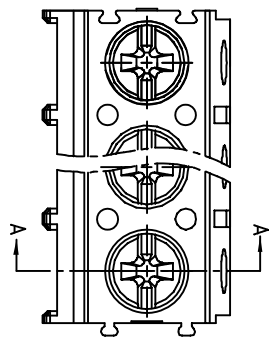


Rev	AWO #	Description	Date	Appr
-		RELEASED	05/10/12	

APPROVED: _____
 DATE: _____ TITLE: _____



Positions: 02 thru 24
 A = .197 [5.00] x No. of Positions
 B = .197 [5.00] x No. of Spaces

Dim	A	B
2-6P	±.006 [0.15]	±.004 [0.10]
7-12P	±.008 [0.20]	±.008 [0.20]
13-18P	±.012 [0.30]	±.010 [0.25]
19-24P	±.016 [0.40]	±.012 [0.30]

SPECIFICATIONS:
 Material: PA66, rated UL 94V-0
 Insulator color: Green
 Wire guard: Stainless Steel
 Contact: Brass, Tin plated
 Screw: Steel, M2.6/Zn Plated
 Electrical:
 Operation voltage: 300 VAC
 Current rating: 10 Amps
 Withstanding Voltage: 1.6KV
 Mechanical:
 Solid wire (AWG): 12-26
 Stranded wire (AWG): 12-26
 Torque(lb-in): 3.5
 Wire strip length (mm): 5-6
 Temperature Rating:
 Operating temperature: -40°C to +115°C
 Environmental:
 Lead free, RoHS compliant.

ADAM TECH

909 Rahway Avenue, Union, NJ 07083
 Phone: 908-687-5000 Fax: 908-687-5710

EURO BLOCK, .197 [5.00] PITCH
 VERTICAL

UNLESS OTHERWISE SPECIFIED ALL DIMENSIONS ARE INCHES [MM]	
TOLERANCES: EXCEPT AS NOTED	
INCHES	
.X ±.10	ØX ±.10
.XX ±.020	ØXX ±.015
.XXX ±.015	ØXXX ±.010
APPROVALS	DATE
DRAWN TW	05/10/12
CHECKED AY	05/10/12
APPROVED	

SIZE	PART NO.	REV.
X	EB133-XX-C	-
REF: S00007T	SCALE: NTS	SHEET 1 OF 1

