

MODEL: CEM-1205-IC | **DESCRIPTION:** MAGNETIC BUZZER INDICATOR

FEATURES

- internally driven
- 5.0 Vdc rating
- 2400 Hz rated frequency

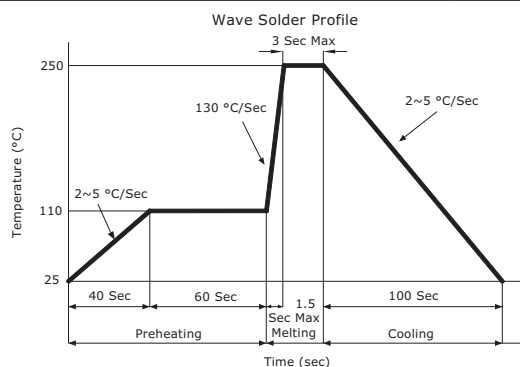

SPECIFICATIONS

parameter	conditions/description	min	typ	max	units
rated voltage			5.0		Vdc
operating voltage		3.0		6.0	Vdc
current consumption	at rated voltage			30	mA
rated frequency		2,250	2,400	2,550	Hz
sound pressure level	at 10 cm (A-weight), rated voltage	87	92		dBA
tone	continuous				
dimensions	Ø12.0 x 9.5				mm
weight			1.75		g
material	PBT (black)				
terminal	pins (gold plating)				
operating temperature		-40		80	°C
storage temperature		-40		80	°C
washable	yes				
RoHS	yes				

Notes: 1. All specifications measured at 5-35°C, humidity at 45-85%, under 86-106kPa pressure, unless otherwise noted.

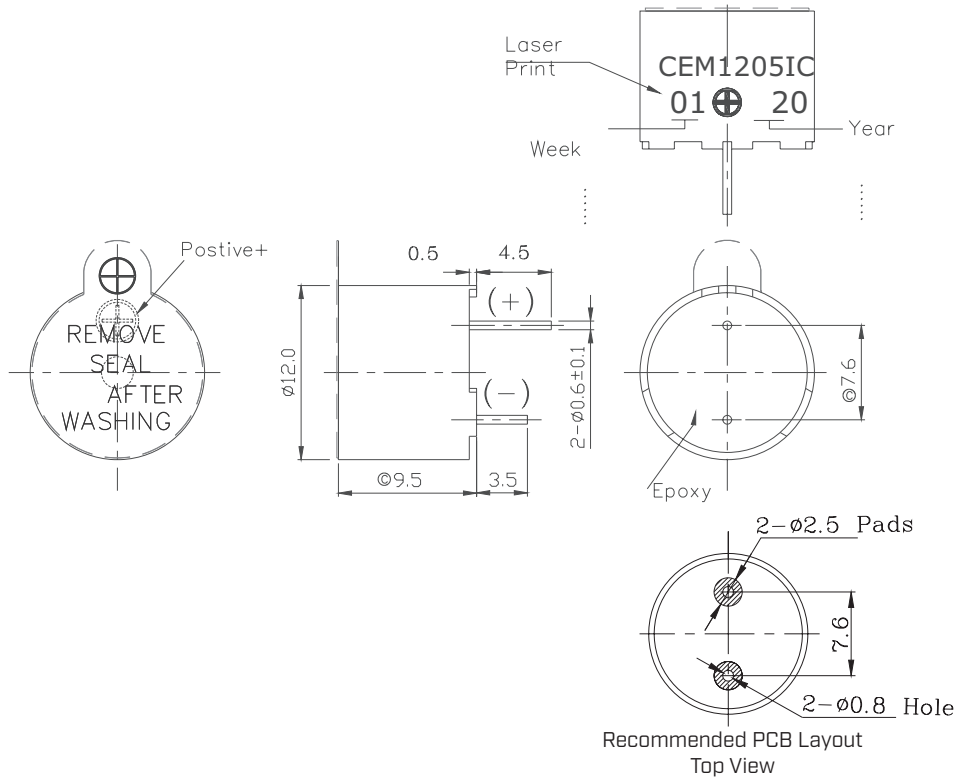
SOLDERABILITY

parameter	conditions/description	min	typ	max	units
hand soldering	for maximum 2 seconds	330		380	°C
wave soldering				250	°C



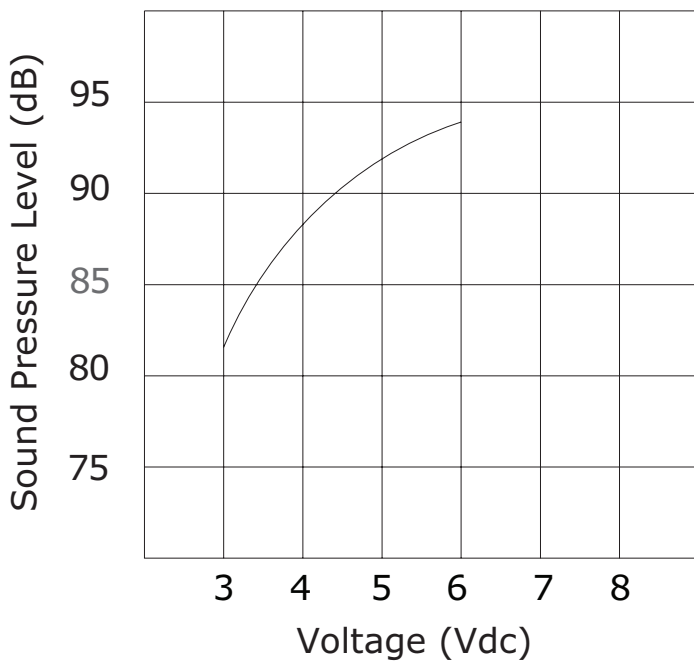
MECHANICAL DRAWING

units: mm
tolerance: ±0.5 mm

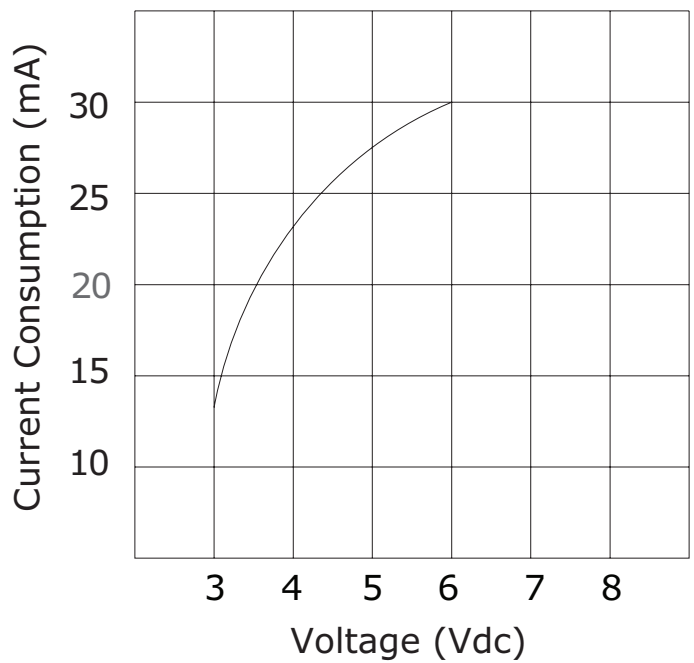


PERFORMANCE CURVES

Voltage vs. Sound Pressure Level
at 10 cm, 25°C



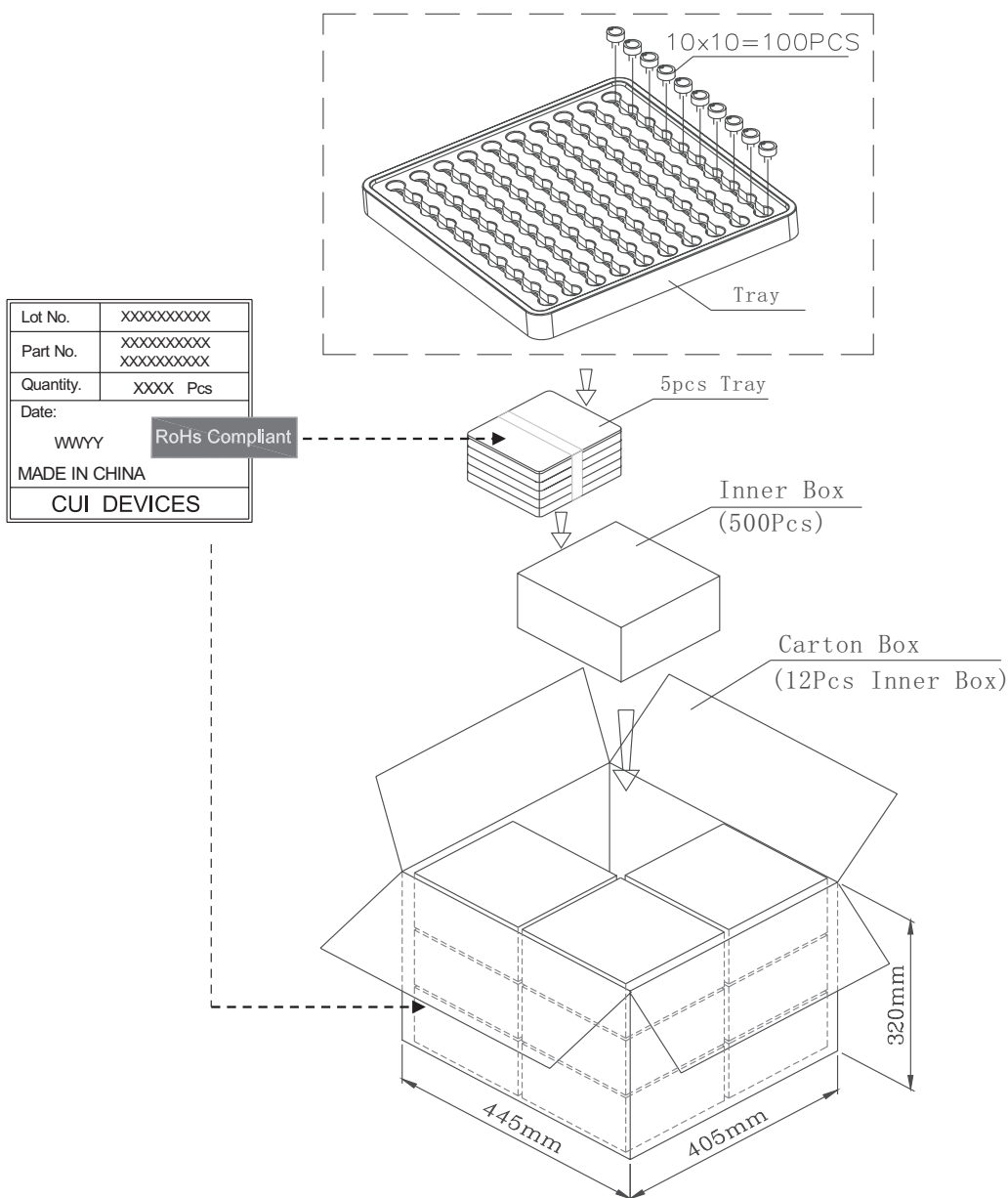
Voltage vs. Current Consumption
at 10 cm, 25°C



PACKAGING

units: mm

Tray Size: 184 x 180 x 23 mm
 Tray QTY: 100 pcs per tray
 Carton Size: 440 x 400 x 310 mm
 Carton QTY: 6,000 pcs per carton



REVISION HISTORY

rev.	description	date
1.0	initial release	04/23/2021
1.01	logo, datasheet style update	08/05/2022

The revision history provided is for informational purposes only and is believed to be accurate.



CUI Devices offers a one (1) year limited warranty. Complete warranty information is listed on our website.

CUI Devices reserves the right to make changes to the product at any time without notice. Information provided by CUI Devices is believed to be accurate and reliable. However, no responsibility is assumed by CUI Devices for its use, nor for any infringements of patents or other rights of third parties which may result from its use.

CUI Devices products are not authorized or warranted for use as critical components in equipment that requires an extremely high level of reliability. A critical component is any component of a life support device or system whose failure to perform can be reasonably expected to cause the failure of the life support device or system, or to affect its safety or effectiveness.

cuidevices.com