

March 1997

### Features

- Cascadable Up to 4 Units for 32-Bit by 32-Bit Multiply or  $64 \div 32$ -Bit Divide
- 8-Bit by 8-Bit Multiply or  $16 \div 8$ -Bit Divide in  $5.6\mu\text{s}$  at 5V or  $2.8\mu\text{s}$  at 10V
- Direct Interface to CDP1800-Series Microprocessors
- Easy Interface to Other 8-Bit Microprocessors
- Significantly Increases Throughput of Microprocessor Used for Arithmetic Calculations

### Ordering Information

PACKAGE	TEMP. RANGE	5V	10V	PKG. NO.
PDIP Burn-In	-40°C to +85°C	CDP1855CE	CDP1855E	E28.6
		CDP1855CEX	-	E28.6
SBDIP Burn-In	-40°C to +85°C	CDP1855CD	CDP1855D	D28.6
		CDP1855CDX	-	D28.6

### Description

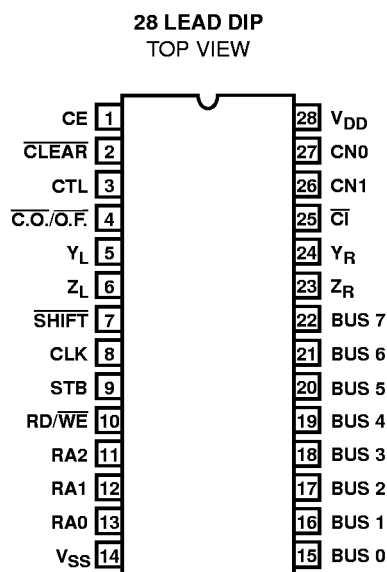
The CDP1855 and CDP1855C are CMOS 8-bit multiply/divide units which can be used to greatly increase the capabilities of 8-bit microprocessors. They perform multiply and divide operations on unsigned, binary operators. In general, microprocessors do not contain multiply or divide instructions and even efficiently coded multiply or divide subroutines require considerable memory and execution time. These multiply/divide units directly interface to the CDP1800-series microprocessors via the N-lines and can easily be configured to fit in either the memory or I/O space of other 8-bit microprocessors.

The multiple/divide unit is based on a method of multiplying by add and shift right operations and dividing by subtract and shift left operations. The device is structured to permit cascading identical units to handle operands up to 32 bits.

The CDP1855 and CDP1855C are functionally identical. They differ in that the CDP1855 has a recommended operating voltage range of 4V to 10.5V, and the CDP1855C, a recommended operating voltage range of 4V to 6.5V.

The CDP1855 and CDP1855C types are supplied in a 28 lead hermetic dual-in-line ceramic package (D suffix) and in a 28 lead dual-in-line plastic package (E suffix). The CDP1855C is also available in chip form (H suffix).

### Pinout



### Circuit Configuration

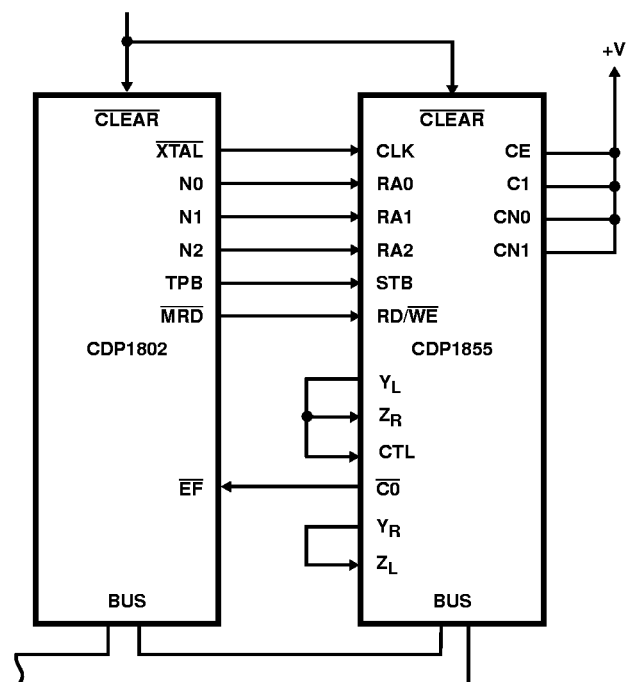


FIGURE 1. MDU ADDRESSED AS I/O DEVICE

## CDP1855, CDP1855C

### Absolute Maximum Ratings

DC Supply Voltage Range, ( $V_{DD}$ )  
 (All voltage values referenced to  $V_{SS}$  terminal)  
 CDP1855 ..... -0.5V to +11V  
 CDP1855C ..... -0.5V to +7V  
 Input Voltage Range, All Inputs ..... -0.5V to  $V_{DD} + 0.5V$   
 DC Input Current, Any One Input .....  $\pm 10mA$

### Thermal Information

Thermal Resistance (Typical)                       $\theta_{JA}$  ( $^{\circ}C/W$ )     $\theta_{JC}$  ( $^{\circ}C/W$ )  
 PDIP Package ..... 55                      N/A  
 SBDIP Package ..... 50                      12  
 Device Dissipation Per Output Transistor  
 For  $T_A$  = Full Package-Temperature Range  
 (All Package Types) ..... 100mW  
 Operating Temperature Range ( $T_A$ ) ..... -40 $^{\circ}C$  to +85 $^{\circ}C$   
 Storage Temperature Range ( $T_{STG}$ ) ..... -65 $^{\circ}C$  to +150 $^{\circ}C$   
 Lead Temperature (During Soldering)  
 At distance 1/16  $\pm$  1/32 In. (1.59  $\pm$  0.79mm)  
 from case for 10s max ..... +265 $^{\circ}C$

*CAUTION: Stresses above those listed in "Absolute Maximum Ratings" may cause permanent damage to the device. This is a stress only rating and operation of the device at these or any other conditions above those indicated in the operational sections of this specification is not implied.*

### Static Electrical Specifications At $T_A = -40$ to +85 $^{\circ}C$ , $V_{DD} \pm 10\%$ , Unless Otherwise Specified

PARAMETER		CONDITIONS			LIMITS						UNITS
		$V_O$ (V)	$V_{IN}$ (V)	$V_{DD}$ (V)	CDP1855			CDP1855C			
					MIN	(NOTE1) TYP	MAX	MIN	(NOTE1) TYP	MAX	
Quiescent Device Current	$I_{DD}$	-	0, 5	5	-	0.01	50	-	0.02	200	$\mu A$
		-	0, 10	10	-	1	200	-	-	-	$\mu A$
Output Low Drive (Sink) Current	$I_{OL}$	0.4	0, 5	5	1.6	3.2	-	1.6	3.2	-	mA
		0.5	0, 10	10	2.6	5.2	-	-	-	-	mA
Output High Drive (Source) Current	$I_{OH}$	4.6	0, 5	5	-1.15	-2.3	-	-1.15	-2.3	-	mA
		9.5	0, 10	10	-2.6	-5.2	-	-	-	-	mA
Output Voltage Low Level (Note 2)	$V_{OL}$	-	0, 5	5	-	0	0.1	-	0	0.1	V
		-	0, 10	10	-	0	0.1	-	-	-	V
Output Voltage High Level (Note 2)	$V_{OH}$	-	0, 5	5	4.9	5	-	4.9	5	-	V
		-	0, 10	10	9.9	10	-	-	-	-	V
Input Low Voltage	$V_{IL}$	0.5, 4.5	-	5	-	-	1.5	-	-	1.5	V
		0.5, 9.5	-	10	-	-	3	-	-	-	V
Input High Voltage	$V_{IH}$	0.5, 4.5	-	5	3.5	-	-	3.5	-	-	V
		0.5, 9.5	-	10	7	-	-	-	-	-	V
Input Leakage Current	$I_{IN}$	-	0, 5	5	-	-	$\pm 1$	-	-	$\pm 1$	$\mu A$
		-	0, 10	10	-	-	$\pm 1$	-	-	-	$\mu A$
Three-State Output Leakage Current	$I_{OUT}$	0, 5	0, 5	5	-	-	$\pm 1$	-	-	$\pm 1$	$\mu A$
		0, 10	0, 10	10	-	-	$\pm 10$	-	-	-	$\mu A$
Operating Current (Note 3)	$I_{DD1}$	-	0, 5	5	-	1.5	-	-	1.5	3	mA
		-	0, 10	10	-	6	12	-	-	-	mA
Input Capacitance	$C_{IN}$	-	-	-	-	5	7.5	-	5	7.5	pF
Output Capacitance	$C_{OUT}$	-	-	-	-	10	15	-	10	15	pF

**NOTES:**

1. Typical values are for  $T_A = +25^{\circ}C$  and nominal  $V_{DD}$ .
2.  $I_{OL} = I_{OH} = 1\mu A$
3. Operating current is measured at 3.2MHz with open outputs.

## CDP1855, CDP1855C

**Recommended Operating Conditions** At  $T_A$  = Full package temperature range. For maximum reliability, operating conditions should be selected so that operation is always within the following ranges:

PARAMETER	$V_{DD}$ (V)	LIMITS				UNITS
		CDP1855		CDP1855C		
		MIN	MAX	MIN	MAX	
DC Operating Voltage Range	-	4	10.5	4	6.5	V
Input Voltage Range	-	$V_{SS}$	$V_{DD}$	$V_{SS}$	$V_{DD}$	V
Maximum Clock Input Frequency	5	3.2	-	3.2	-	MHz
	10	6.4	-	-	-	MHz
Minimum 8 x 8 Multiply (16 ÷ 8 Divide) Time	5	-	5.6	-	5.6	$\mu$ s
	10	-	2.8	-	-	$\mu$ s

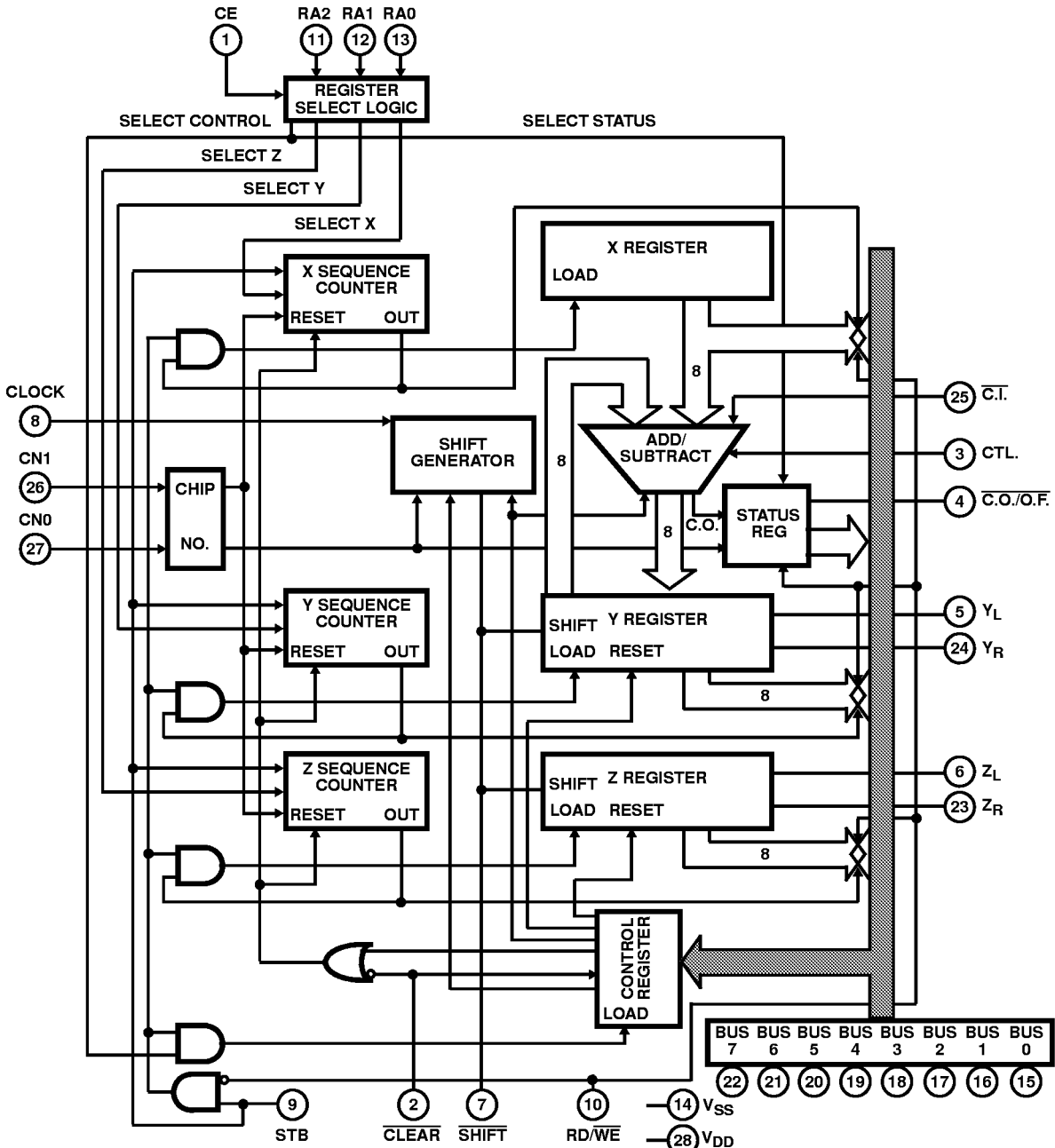


FIGURE 2. BLOCK DIAGRAM OF CDP1855 AND CDP1855C

## Functional Description

The CDP1855 is a multiply-divide unit (MDU) designed to be compatible with CDP1800 series microprocessor systems. It can, in fact, be interfaced to most 8-bit microprocessors (see Figure 5). The CDP1855 performs binary multiply or divide operations as directed by the microprocessor. It can do a 16N-bit by 8N-bit divide yielding a 8N-bit result plus an 8N-bit remainder. The multiply is an 8N-bit by 8N-bit operation with a 16N-bit result. The "N" represent the number of cascaded CDP1855's and can be 1, 2, 3 or 4. All operations require  $8N + 1$  shift pulses (See "DELAY NEEDED WITH AND WITHOUT PRESCALER").

The CDP1855 contains three registers, X, Y, and Z, which are loaded with the operands prior to an operation and contain the results at the completion. In addition, the control register must be loaded to initiate a multiply or divide. There is also a status register which contains an overflow flag as shown in the "CONTROL REGISTER BIT ASSIGNMENT TABLE". The register address lines (RA0-RA1) are used to select the appropriate register for loading or reading. The RD/WE and STB lines are used in conjunction with the RA lines to determine the exact MDU response (See "CONTROL TRUTH TABLE").

When multiple MDU's are cascaded, the loading of each register is done sequentially. For example, the first selection of register X for loading loads the most significant CDP1855, the second loads the next significant, and so on. Registers are also read out sequentially. This is accomplished by internal counters on each MDU which are decremented by STB during each register selection. When the counter matches the chip number (CN1, CN0 lines), the device is selected. These counters must be cleared with a clear on pin 2 or with bit 6 in the control word (See "CONTROL REGISTER BIT ASSIGNMENT TABLE") in order to start each sequence of accesses with the most significant device.

The CDP1855 has a built in clock prescaler which can be selected via bit 7 in the control register. The prescaler may be necessary in cascaded systems operating at high frequencies or in systems where a suitable clock frequency is not readily available. Without the prescaler select, the shift frequency is equal to the clock input frequency. With the prescaler selected, the rate depends on the number of MDU's as defined by bits 4 and 5 of the control word (See "CONTROL REGISTER BIT ASSIGNMENT TABLE").

1. For one MDU, the clock frequency is divided by 2.
2. For two MDU's the clock frequency is divided by 4.
3. For 3 or 4 MDU's, the clock frequency is divided by 8.

## Operation

### 1. Initialization and Controls

The CDP1855 must be cleared by a low on pin 2 during power-on which prevents bus contention problems at the  $Y_L$ ,  $Y_R$  and  $Z_L$ ,  $Z_R$  terminals and also resets the sequence counters and the shift pulse generator.

Prior to loading any other registers the control register must be loaded to specify the number of MDU's being used (See "CONTROL REGISTER BIT ASSIGNMENT TABLE").

Once the number of devices has been specified and the sequence counters cleared with a clear pulse or bit 6 of the control word, the X, Y, and Z registers can be loaded as defined in the "CONTROL TRUTH TABLE". All bytes of the X register can be loaded, then all bytes of the Y, and then all bytes of the Z, or they can be loaded randomly. Successive loads to a given register will always proceed sequentially from the most significant byte to the least significant byte, as previously described. Resetting the sequence counters select the most significant MDU. In a four MDU system, loading all MDU's results in the sequence counter pointing to the first MDU again. In all other configurations (1, 2, or 3 MDU's), the sequence counter must be reset prior to each series of register reads or writes.

### 2. Divide Operation

For the divide operation, the divisor is loaded in the X register. The dividend is loaded in the Y and Z registers with the more significant half in the Y register and the less significant half in the Z register. These registers may be loaded in any order, and after loading is completed, a control word is loaded to specify a divide operation and the number of MDU's and also to reset the sequence counters and Y or Z register and select the clock option if desired. Clearing the sequence counters with bit 6 will set the MDU's up for reading the results.

The X register will be unaltered by the operation. The quotient will be in the Z register while the remainder will be in the Y register. An overflow will be indicated by the  $\overline{C.O./O.F.}$  of the most significant MDU and can also be determined by reading the status byte.

While the CDP1855 is specified to perform 16 by 8-bit divides, if the quotient of a divide operation exceeds the size of the Z register(s) (8N-bits - where N is the number of cascaded CDP1855's) the overflow bit in the Status Register will be set. Neither the quotient in Z nor the remainder in Y will represent a valid answer. This will always be the result of a division performed when the divisor (X) is equal to or less than the most significant 8N-bits of the dividend (Y).

The MDU can still be used for such computations if the divide is done in two steps. The dividend is split into two parts-the more significant 8N-bits and the less significant 8N-bits-and a divide done on each part. Each step yields an 8N-bit result for a total quotient of 16N-bits.

The first step consists of dividing the more significant 8N-bits by the divisor. This is done by clearing the Y register(s), loading the Z register(s) with the more significant 8N-bits of the dividend, and loading the X register(s) with the divisor. A division is performed and the resultant value in Z represents the more significant 8N-bits of the final quotient. The Z register(s) value must be unloaded and saved by the processor.

A second division is performed using the remainder from the first division (in Y) as the more significant 8N-bits of the dividend and the less significant half of the original dividend loaded into the Z register. The divisor in X remains unaltered and is, by definition, larger than the remainder from the first division which is in Y. The resulting value in Z becomes the less significant 8N-bits of the final quotient and the value in Y is, as usual, the remainder.

Extending this technique to more steps allows division of any size number by an 8N-bit divisor.

Note that division by zero is never permitted and must be tested for and handled in software.

The following example illustrates the use of this algorithm.

**Example:**

Assume three MDU's capable of a by 24-bit division. The problem is to divide 00F273, 491C06H by 0003B4H.

Step 1:	000000	,	00F273	/	0003B4	=	000041	R=0001BF
	Y		Z(MS)		X		Z1	Y1
Step 2:	0001BF	,	491C06	/	0003B4	=	78C936	R=00000E
	Y1		Z(LS)		X		Z2	Y2
Result:	000041	,	78C936		R=00000E			
	Z1		Z2		Y2			

The Z register can simply be reset using bit 2 of the control word and another divide can be done in order to further divide the remainder.

**3. Multiply Operation**

For a multiply operation the two numbers to be multiplied are loaded in the X and Z registers. The result is in the Y and Z register with Y being the more significant half and Z the less significant half. The X register will be unchanged after the operation is completed.

The original contents of the Y register are added to the product of X and Z. Bit 3 of the control word will reset register Y to 0 if desired.

**Functional Description of CDP1855 Terminals**

**CE - Chip Enable (Input):**

A high on this pin enables the CDP1855 MDU to respond to the select lines. All cascaded MDU's must be enabled together. CE also controls the three-state  $\overline{\text{C.O./O.F.}}$ , output of the most significant MDU.

**Clear (Input):**

The CDP1855 MDU(s) must be cleared upon power-on with a low-on this pin. The clear signal resets the sequence counters, the shift pulse generator, and bits 0 and 1 of the control register.

**CTL - Control (Input):**

This is an input pin. All CTL pins must be wired together and to the  $Y_L$  of the most significant CDP1855 MDU and to the

$Z_R$  of the least significant CDP1855 MDU. This signal is used to indicate whether the registers are to be operated on or only shifted.

**$\overline{\text{C.O./O.F.}}$  - Carry Out/Over Flow (Output):**

This is a three-state output pin. It is the CDP1855  $\overline{\text{Carry Out}}$  signal and is connected to  $\overline{\text{CI}}$  ( $\overline{\text{CARRY-IN}}$ ) of the next more significant CDP1855 MDU, except for on the most significant MDU. On that MDU it is an overflow indicator and is enabled when chip enables is true. A low on this pin indicates that an overflow has occurred. The overflow signal is latched each time the control register is loaded, but is only meaningful after a divide command.

**$Y_L, Y_R$  - Y-Left, Y-Right:**

These are three-state bi-directional pins for data transfer between the Y registers of cascaded CDP1855 MDU's. The  $Y_R$  pin is an output and  $Y_L$  is an input during a multiply and the reverse is true at all other times. The  $Y_L$  pin must be connected to the  $Y_R$  pin of the next more significant MDU. An exception is that the  $Y_L$  pin of the most significant CDP1855 MDU must be connected to the  $Z_R$  pin of the least significant MDU and to the CTL pins of all MDU's. Also the  $Y_R$  pin of the least significant MDU is tied to the  $Z_L$  pin of the most significant MDU.

**$Z_L, Z_R$  - Z-Left, Z-Right:**

These are three-state bi-directional pins for data transfers between the "Z" registers of cascaded MDU's. The  $Z_R$  pin is an output and  $Z_L$  is an input during a multiply and the reverse is true at all other times. The  $Z_L$  pin must be tied to the  $Y_R$  pin of the next more significant MDU. An exception is that the  $Z_L$  in of the most significant MDU must be connected to the  $Y_R$  pin of the least significant MDU. Also, the  $Z_R$  pin of the least significant MDU is tied to the  $Y_L$  of the most significant MDU.

**Shift - Shift Clock:**

This is a three-state bi-directional pin. It is an output on the most significant MDU. And an input on all other MDU's. It provides the MDU system timing pulses. All  $\overline{\text{SHIFT}}$  pins must be connected together for cascaded operation. A maximum of the  $8N + 1$  shifts are required for an operation where "N" equals the number of MDU devices that are cascaded.

**CLK - Clock (Input):**

This pin should be grounded on all but the most significant MDU. There is an optional reduction of clock frequency available on this pin if so desired, controlled by bit 7 of the control byte.

**STB - Strobe (Input):**

When RD/WE is low, data is latched from bus lines on the falling edge of this signal. It may be asynchronous to the clock. Strobe also increments the selected register's sequence counter during reads and writes. TPB would be used in CDP1800 systems.

## CDP1855, CDP1855C

### RD/WE - Read/Write Enable (Input):

This signal defines whether the selected register is to be read from or written to. In 1800 systems use  $\overline{\text{MRD}}$  if MDU's are addressed as I/O devices,  $\overline{\text{MWR}}$  is used if MDU's are addressed as memory devices.

### RA2, RA1, RA0 - Register Address (Input):

These input signals define which register is to be read from or written to. It can be seen in the "CONTROL TRUTH TABLE" that RA2 can be used as a chip enable. It is identical to the CE pin, except only CE controls the three-state C.O./O.F. on the most significant MDU. In 1800 systems use N lines if MDU's are used as I/O devices, use address lines or function of address lines if MDU's are used as memory devices.

### Bus 0 - Bus 7 - Bus Lines:

Three-state bi-directional bus for direct interface with CDP1800 series and other 8-bit microprocessors.

### Z<sub>R</sub> - Z-Right:

See Pin 6.

### Y<sub>R</sub> - Y-Right:

See Pin 5.

### CI- Carry In (Input):

This is an input for the carry from the next less significant MDU. On the least significant MDU it must be high ( $V_{DD}$ ) on all others it must be connected to the  $\overline{\text{CO}}$  pin of the next less significant MDU.

### CN1, CN0 - Chip Number (Input):

These two input pins are wired high or low to indicate the MDU position in the cascaded chain. Both are high for the most significant MDU regardless of how many CDP1855 MDU's are used. Then CN1 = high and CN0 = low for the next MDU and so forth.

### V<sub>SS</sub> - Ground:

Power supply line.

### V<sub>DD</sub> - V+:

Power supply line.

**CONTROL TRUTH TABLE**

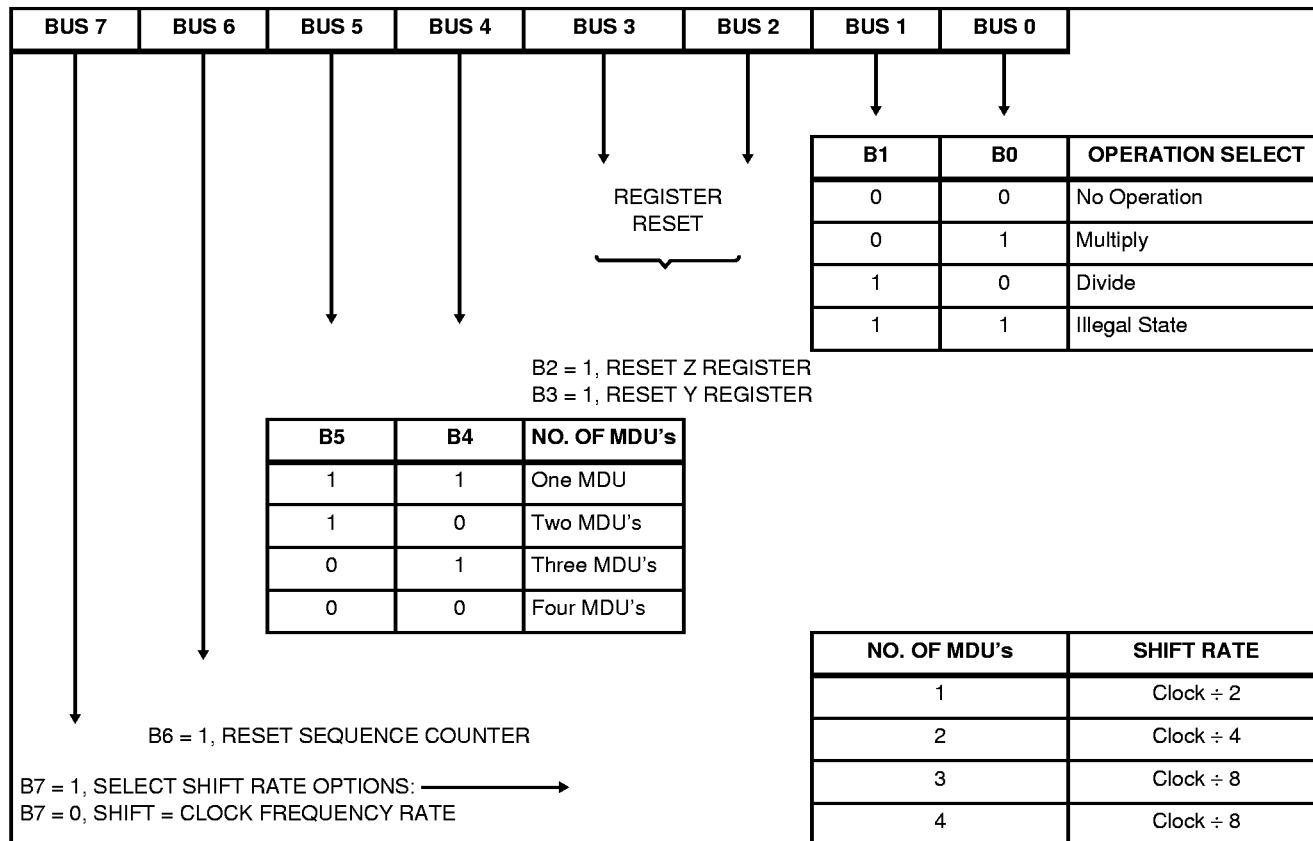
INPUTS (NOTE 1)						RESPONSE
CE	RA2 (N2)	RA1 (N1)	RA0 (N0)	RD/WE (MRD)	STB (TPB)	
0	X	X	X	X	X	No Action (Bus Floats)
X	0	X	X	X	X	No Action (Bus Floats)
1	1	0	0	1	X	X to Bus
1	1	0	1	1	X	Z to Bus
1	1	1	0	1	X	Y to Bus
1	1	1	1	1	X	Status to Bus
1	1	0	0	0	1	Load X from Bus
1	1	0	1	0	1	Load Z from Bus
1	1	1	0	0	1	Load Y from Bus
1	1	1	1	0	1	Load Control Register
1	1	X	X	0	0	No Action (Bus Floats)

NOTE:

1. ( ) = 1800 System Signals. 1 = High Level, 0 = Low Level, X = High or Low Level.

## CDP1855, CDP1855C

### CONTROL REGISTER BIT ASSIGNMENT TABLE



### STATUS REGISTER

	STATUS BYTE							
BIT	7	6	5	4	3	2	1	0
OUTPUT	0	0	0	0	0	0	0	O.F.

**NOTES:**

1. O.F. = 1 if overflow (only valid after a divide has been done)
2. Bits 1 - 7 are read as 0 always.

### DELAY NEEDED WITH AND WITHOUT PRESCALER

8N + 1 Shifts/Operation at 1 Clock Cycle/Shift

N = Number of MDU's, S = Shift Rate

NO. OF MDU's	WITHOUT PRESCALER		WITH PRESCALER		
	SHIFTS = 8N + 1 NEEDED	(NOTE 1) MACHINE CYCLES NEEDED	SHIFTS = S (8N + 1) NEEDED	(NOTE 1) MACHINE CYCLES NEEDED	SHIFT RATE
1	9	2 (1 NOP)	18	3 (1 NOP)	2
2	17	2 (1 NOP)	68	9 (3 NOPs)	4
3	25	3 (1 NOP)	200	25 (9 NOPs)	8
4	33	4 (2 NOPs)	264	33 (11 NOPs)	8

**NOTE:**

1. NOP instruction is shown for machine cycles needed (3/NOP). Other instructions may be used.

CDP1855 Interfacing Schemes

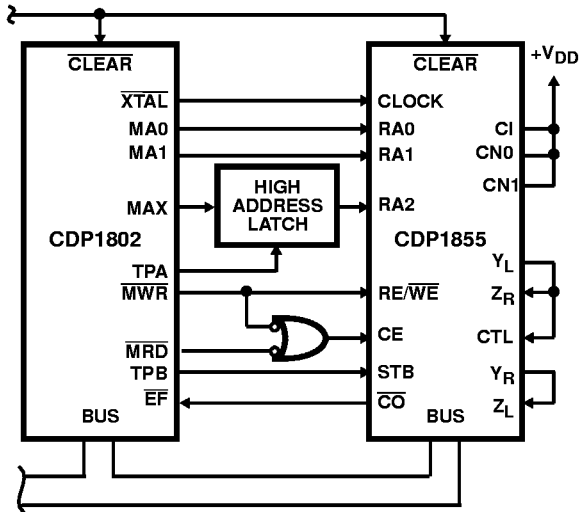


FIGURE 3. REQUIRED CONNECTION FOR MEMORY MAPPED ADDRESSING OF THE MDU

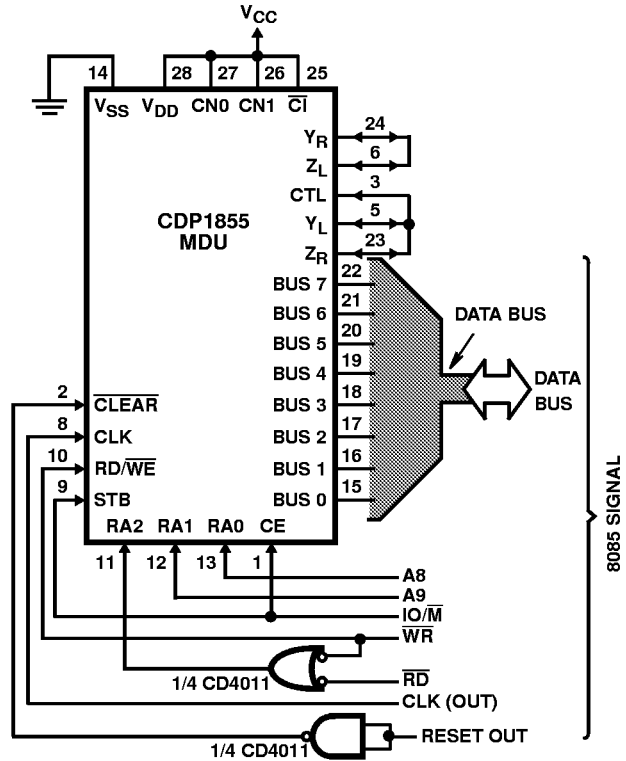


FIGURE 4. INTERFACING THE CDP1855 TO AN 8085 MICRO-PROCESSOR AS AN I/O DEVICE

Programming Example for Multiplication

For a 24-bit x 24-bit multiply using the system shown in Figure 5, the following is an assembly listing of a program to multiply 201F7C<sub>16</sub> by 723C09<sub>16</sub>:

MEMORY LOCATION	OP CODE	LINE NO.	ASSEMBLY LANGUAGE
0000	F830;	0001	LDI 030H
0002	A2;	0002	PLO R2 .. LOAD 30 INTO R2.0
0003	F800;	0003	LDI 00H
0005	B2;	0004	PHI R2 .. LOAD 00 INTO R2.1 (R2=0030)
0006	6758;	0005	OUT 7; DC 058H .. LOAD CONTROL REGISTERS
0008	;	0006	.. SPECIFYING THREE MDU's
0008	;	0007	.. RESET THE Y REGISTER AND
0008	;	0008	.. SEQUENCE COUNTER
0008	6420;	0009	OUT 4; DC 020H .. LOAD MSB OF X REGISTER
000A	;	0010	.. WITH 20
000A	641F;	0011	OUT 4; DC 01FH .. LOAD NEXT MSB OF X REG
000C	;	0012	.. WITH 1F
000C	647C;	0013	OUT 4; DC 07CH .. LOAD LSB OF X REGISTER
000E	;	0014	.. WITH 7C
000E	6572;	0015	OUT 5; DC 072H .. LOAD MSB OF Z REGISTER
0010	;	0016	.. WITH 72



**Programming Example for Multiplication**

For a 24-bit x 24-bit multiply using the system shown in Figure 5, the following is an assembly listing of a program to multiply  $201F7C_{16}$  by  $723C09_{16}$ : (Continued)

MEMORY LOCATION	OP CODE	LINE NO.	ASSEMBLY LANGUAGE
0010	653C;	0017	OUT 5; DC 030H .. LOAD NEXT MSB OF Z REG
0012	;	0018	.. WITH 3C
0012	6509;	0019	OUT 5; DC 09H .. LOAD LSB OF Z REGISTER
0014	;	0020	.. WITH 09
0014	6759;	0021	OUT 7; DC 059H .. LOAD CONTROL REGISTERS
0016	;	0022	.. RESETTING Y REGISTERS
0016	;	0023	.. AND SEQUENCE COUNTERS
0016	;	0024	.. AND STARTING MULTIPLY
0016	;	0025	.. OPERATION
DELAY FOR MULTIPLY TO FINISH			
0016	E2;	0026	SEX R2
0017	6E60;	0027	INP 6; IRX .. MSB OF RESULTS IS STORED
0019	;	0028	.. AT LOCATION 0030
0019	6E60;	0029	INP 6; IRX
001B	6E60;	0030	INP 6; IRX
001D	6D60;	0031	INP 5; IRX
001F	6D60;	0032	INP 5; IRX
0021	6D;	0033	INP 5 .. COMPLETE LOADING RESULT
0022	;	0034	.. INTO MEMORY LOCATIONS
0022	;	0035	.. 0030 TO 0035
0022	;	0036	.. RESULTS = 0E558DBA2B5C
0022	3022;	0037 STOP	BR STOP
0024	;	0038	END
0000			

The result of  $201F7C_{16} \times 723C09_{16}$  is  $0E558DBA2B5C_{16} = 15760612797276_{10}$ . It will be stored in memory as follows:

LOC	BYTE
0030	0E
31	55
32	8D
33	BA
34	2B
35	5C

**BEFORE MULTIPLY**

REGISTER X  
REGISTER Y  
REGISTER Z

MDU1	MDU2	MDU3
20	1F	7C
00	00	00
72	3C	09

**AFTER MULTIPLY**

REGISTER X  
REGISTER Y  
REGISTER Z

MDU1	MDU2	MDU3
20	1F	7C
0E	55	8D
BA	2B	5C

**CDP1855, CDP1855C**

**Programming Example for Division**

MEMORY LOCATION	OP CODE	LINE NO.	ASSEMBLY LANGUAGE
0000	;	0001	.. Program example for a 16-bit by 8-bit divide using 1 CDP1855 MDU
0000	;	0002	.. Gives a 16-bit answer with 8-bit remainder
0000	;	0003	
0000	68C22000;	0004	RLDI R2, 2000H .. Answer is stored at 2000 hex
0004	;	0005	.. Register 2 points to it
0004	68C33000;	0006	RLDI R3, 3000H .. Dividend is stored at 3000 hex
0008	;	0007	.. Register 3 points to it
0008	68C44000;	0008	RLDI R4, 4000H .. Divisor is stored at 4000 hex
000C	;	0009	.. Register 4 points to it
000C	;	0010	
000C	E067F0;	0011	SEX R4; OUT 7; DC 0F0H .. Write to the control register to use
000F	;	0012	.. clock/2; 1MDU; reset sequence
000F	;	0013	.. counter; and no operation
000F	;	0014	
000F	E464;	0015	SEX R4; OUT 4 .. Load the divisor into the X register
0011	;	0016	
0011	E06600;	0017	SEX R0; OUT 6; DC 0 .. Load 0 into the Y register
0014	E365;	0018	SEX R3; OUT 5 .. Load the most significant 8 bits of
0016	;	0019	.. the dividend into the Z register
0016	;	0020	
0016	E067F2;	0021	SEX R0; OUT 7; DC 0F2H .. Do the first divide, also resets the
0019	;	0022	.. sequence counter
0019	;	0023	
0019	E26D60;	0024	SEX R2; INP 5; IRX .. Read and store the most significant
001C	;	0025	.. 8 bits of the answer at 2000 hex
001C	;	0026	
001C	E067F0;	0027	SEX R0; OUT 7; DC 0F0H .. Reset the sequence counter
001F	;	0028	
001F	E365;	0029	SEX R3; OUT 5 .. Load the 8 least significant 8 bits
0021	;	0030	.. of the original dividend into the Z
0021	;	0031	.. register
0021	;	0032	
0021	E067F2;	0033	SEX R0; OUT 7; DC 0F2H .. Do the second division
0024	;	0034	
0024	E26D60;	0035	SEX R2; INP 5; IRX .. Read and store the least significant
0027	;	0036	.. 8 bits of the answer at 2001 hex
0027	6E;	0037	INP 6 .. Read and store the remainder at 2002
0028	;	0038	.. hex
0000			

For the divide operation (Figure 5), the formula is:

# CDP1855, CDP1855C

$$\frac{Y_3 Y_2 Y_1 Z_3 Z_2 Z_1}{X_3 X_2 X_1} = Z_3 Z_2 Z_1 + \frac{Y_3 Y_2 Y_1}{X_3 X_2 X_1}$$

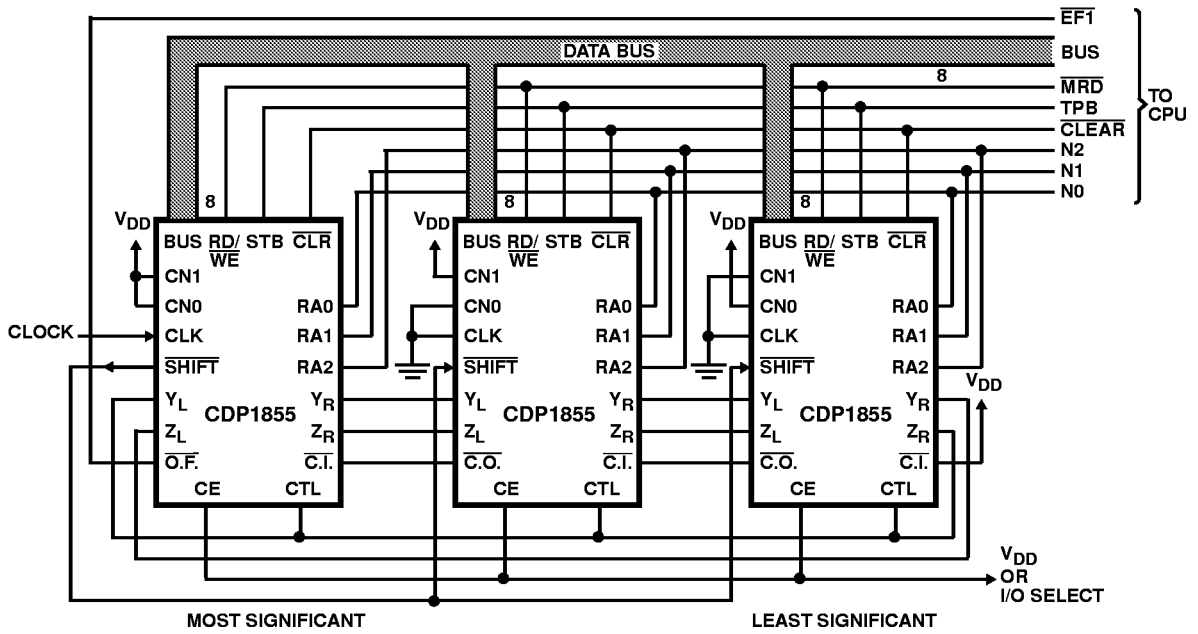


FIGURE 5. CASCADING THREE MDU's (CDP1855) IN AN 1800 SYSTEM WITH MDU's BEING ACCESSED AS I/O PORTS IN PROGRAMMING EXAMPLE

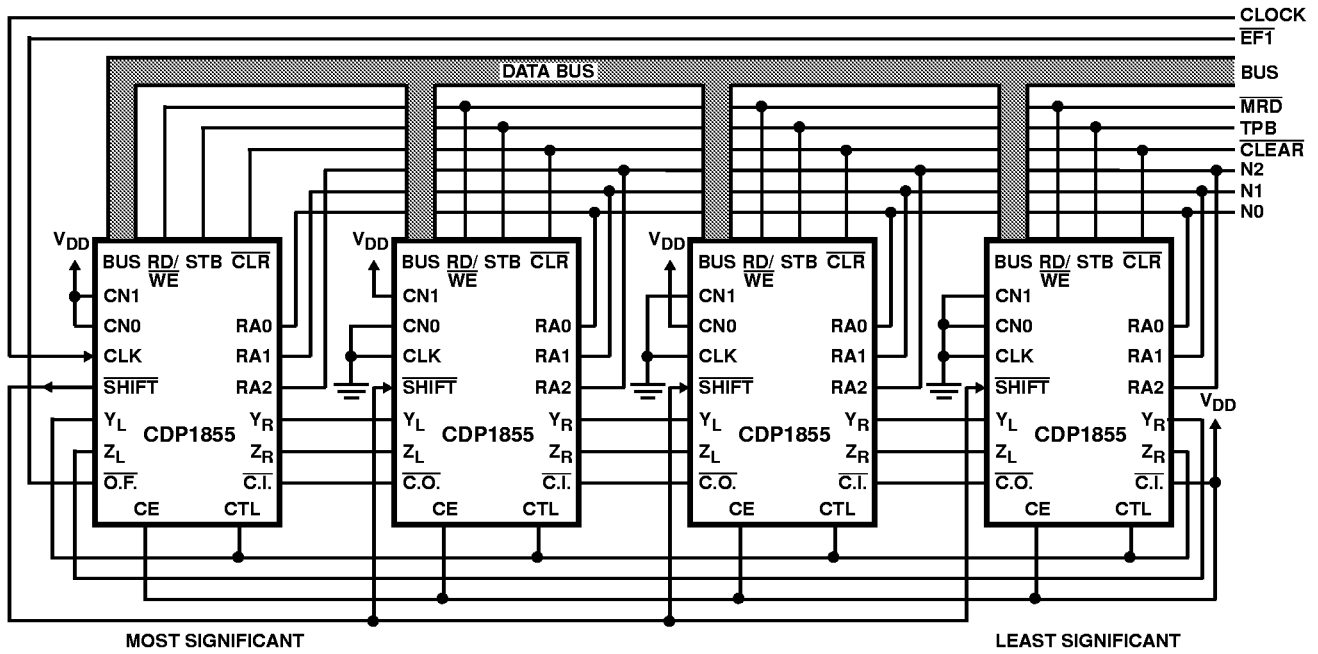


FIGURE 6. CASCADING FOUR MDU's (CDP1855)

## CDP1855, CDP1855C

**Dynamic Electrical Specifications** At  $T_A = -40$  to  $+85^\circ\text{C}$ ,  $V_{DD} \pm 5\%$ ,  $t_R, t_F = 20\text{ns}$ ,  $V_{IH} = 0.7V_{DD}$ ,  $V_{IL} = 0.3V_{DD}$ ,  $C_L = 100\text{pF}$  (See Figure 7)

(NOTE 1) PARAMETER	$V_{DD}$ (V)	LIMITS						UNITS	
		CDP1855			CDP1855C				
		MIN	(NOTE 2) TYP	MAX	MIN	(NOTE 2) TYP	MAX		
<b>OPERATION TIMING</b>									
Maximum Clock Frequency (Note 3)		5	3.2	4	-	3.2	4	-	MHz
		10	6.4	8	-	-	-	-	MHz
Maximum Shift Frequency (1 Device) (Note 4)		5	1.6	2	-	1.6	2	-	MHz
		10	3.2	4	-	-	-	-	MHz
Minimum Clock Width	$t_{CLK0}$	5	-	100	150	-	100	150	ns
	$t_{CLK1}$	10	-	50	75	-	-	-	ns
Minimum Clock Period	$t_{CLK}$	5	-	250	312	-	250	312	ns
		10	-	125	156	-	-	-	ns
Clock to Shift Propagation Delay	$t_{CSH}$	5	-	200	300	-	200	300	ns
		10	-	100	150	-	-	-	ns
Minimum C.I. to Shift Setup	$t_{SU}$	5	-	50	67	-	50	67	ns
		10	-	25	33	-	-	-	ns
C.O. from Shift Propagation Delay	$t_{PLH}$	5	-	450	600	-	450	600	ns
	$t_{PHL}$	10	-	225	300	-	-	-	ns
Minimum C.I. from Shift Hold	$t_H$	5	-	50	75	-	50	75	ns
		10	-	25	40	-	-	-	ns
Minimum Register Input Setup	$t_{SU}$	5	-	-20	10	-	-20	10	ns
		10	-	-10	10	-	-	-	ns
Register after Shift Delay	$t_{PLH}$	5	-	400	600	-	400	600	ns
	$t_{PHL}$	10	-	200	300	-	-	-	ns
Minimum Register after Shift Hold	$t_H$	5	-	50	100	-	50	100	ns
		10	-	25	50	-	-	-	ns
C.O. from C.I. Propagation Delay	$t_{PLH}$	5	-	100	150	-	100	150	ns
	$t_{PHL}$	10	-	50	75	-	-	-	ns
Register from C.I. Propagation Delay	$t_{PLH}$	5	-	80	120	-	80	120	ns
	$t_{PHL}$	10	-	40	60	-	-	-	ns

**NOTES:**

1. Maximum limits of minimum characteristics are the values above which all devices function.
2. Typical values are for  $T_A = 25^\circ\text{C}$  and nominal voltages.
3. Clock frequency and pulse width are given for systems using the internal clock option of the CDP1855. Clock frequency equals shift frequency for systems not using the internal clock option.
4. Shift period for cascading of devices is increased by an amount equal to the  $\overline{C.I.}$  to  $\overline{C.O.}$  Propagation Delay for each device added.

## CDP1855, CDP1855C

**Dynamic Electrical Specifications** At  $T_A = -40$  to  $+85^\circ\text{C}$ ,  $V_{DD} \pm 5\%$ ,  $t_R, t_F = 20\text{ns}$ ,  $V_{IH} = 0.7V_{DD}$ ,  $V_{IL} = 0.3V_{DD}$ ,  $C_L = 100\text{pF}$  (See Figure 8)

(NOTE 1) PARAMETER	$V_{DD}$ (V)	LIMITS						UNITS	
		CDP1855			CDP1855C				
		MIN	(NOTE 2) TYP	MAX	MIN	(NOTE 2) TYP	MAX		
<b>WRITE CYCLE</b>									
Minimum Clear Pulse Width	$t_{CLR}$	5	-	50	75	-	50	75	ns
		10	-	25	40	-	-	-	ns
Minimum Write Pulse Width	$t_{WW}$	5	-	150	225	-	150	225	ns
		10	-	75	115	-	-	-	ns
Minimum Data-In-Setup	$t_{DSU}$	5	-	-75	0	-	-75	0	ns
		10	-	-40	0	-	-	-	ns
Minimum Data-In-Hold	$t_{DH}$	5	-	50	75	-	50	75	ns
		10	-	25	40	-	-	-	ns
Minimum Address to Write Setup	$t_{ASU}$	5	-	50	75	-	50	75	ns
		10	-	25	40	-	-	-	ns
Minimum Address after Write Hold	$t_{AH}$	5	-	50	75	-	50	75	ns
		10	-	25	40	-	-	-	ns

NOTES:

- Maximum limits of minimum characteristics are the values above which all devices function.
- Typical values are for  $T_A = 25^\circ\text{C}$  and nominal voltages.

**Dynamic Electrical Specifications** At  $T_A = -40$  to  $+85^\circ\text{C}$ ,  $V_{DD} \pm 5\%$ ,  $t_R, t_F = 20\text{ns}$ ,  $V_{IH} = 0.7V_{DD}$ ,  $V_{IL} = 0.3V_{DD}$ ,  $C_L = 100\text{pF}$  (See Figure 9)

(NOTE 1) PARAMETER	$V_{DD}$ (V)	LIMITS						UNITS	
		CDP1855			CDP1855C				
		MIN	(NOTE 2) TYP	MAX	MIN	(NOTE 2) TYP	MAX		
<b>READ CYCLE</b>									
CE to Data Out Active	$t_{CDO}$	5	-	200	300	-	200	300	ns
		10	-	100	150	-	-	-	ns
CE to Data Access	$t_{CA}$	5	-	300	450	-	300	450	ns
		10	-	150	225	-	-	-	ns
Address to Data Access	$t_{AA}$	5	-	300	450	-	300	450	ns
		10	-	150	225	-	-	-	ns
Data Out Hold after CE	$t_{DOH}$	5	50	150	225	50	150	225	ns
		10	25	75	115	-	-	-	ns
Data Out Hold after Read	$t_{DOH}$	5	50	150	225	50	150	225	ns
		10	25	75	115	-	-	-	ns
Read to Data Out Active	$t_{RDO}$	5	-	200	300	-	200	300	ns
		10	-	100	150	-	-	-	ns
Read to Data Access	$t_{RA}$	5	-	200	300	-	200	300	ns
		10	-	100	150	-	-	-	ns

## CDP1855, CDP1855C

**Dynamic Electrical Specifications** At  $T_A = -40$  to  $+85^\circ\text{C}$ ,  $V_{DD} \pm 5\%$ ,  $t_R, t_F = 20\text{ns}$ ,  $V_{IH} = 0.7V_{DD}$ ,  $V_{IL} = 0.3V_{DD}$ ,  $C_L = 100\text{pF}$  (See Figure 9) (Continued)

(NOTE 1) PARAMETER		$V_{DD}$ (V)	LIMITS						UNITS
			CDP1855			CDP1855C			
			MIN	(NOTE 2) TYP	MAX	MIN	(NOTE 2) TYP	MAX	
Strobe to Data Access	$t_{SA}$	5	50	200	300	50	200	300	ns
		10	25	100	150	-	-	-	ns
Minimum Strobe Width	$t_{SW}$	5	-	150	225	-	150	225	ns
		10	-	75	115	-	-	-	ns

**NOTES:**

1. Maximum limits of minimum characteristics are the values above which all devices function.
2. Typical values are for  $T_A = 25^\circ\text{C}$  and nominal voltages.

### Timing Diagrams

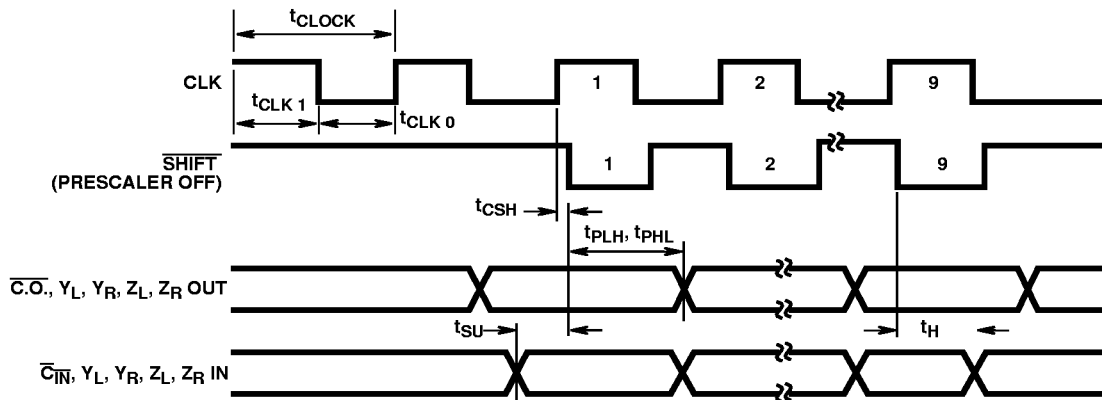


FIGURE 7. OPERATION TIMING DIAGRAM

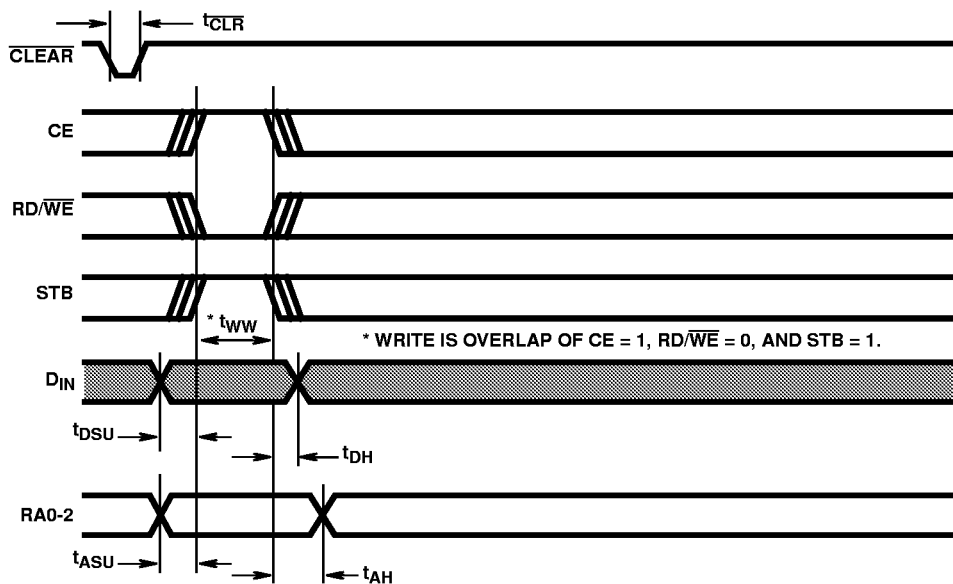


FIGURE 8. WRITE TIMING DIAGRAM

Timing Diagrams (Continued)

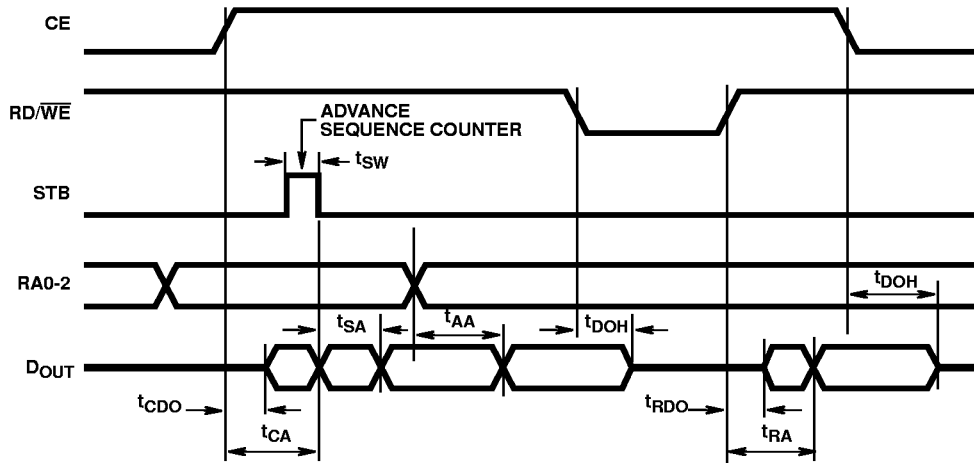


FIGURE 9. READ TIMING DIAGRAM