

MODEL: CPT-308-28-85T | **DESCRIPTION:** PIEZO BUZZER TRANSDUCER

FEATURES

- 12 Vdc rated
- 70 dB
- continuous tone
- feedback pin


SPECIFICATIONS

parameter	conditions/description	min	typ	max	units
rated voltage			12		Vdc
operating voltage		5		28	Vdc
current consumption	at rated voltage			12	mA
rated frequency		700	1,200	1,700	Hz
sound pressure level	at 30 cm, rated voltage	70			dB
tone	continuous				
electrostatic capacitance	at 120 Hz, 1 V	35,000	50,000	65,000	pF
dimensions	∅30.0 x 7.48				mm
weight				3.0	g
material	PBT+30% UL94V-0 (black)				
terminal	pin (tin plating)				
operating temperature		-30		85	°C
storage temperature		-30		85	°C
washable	no				
RoHS	yes				

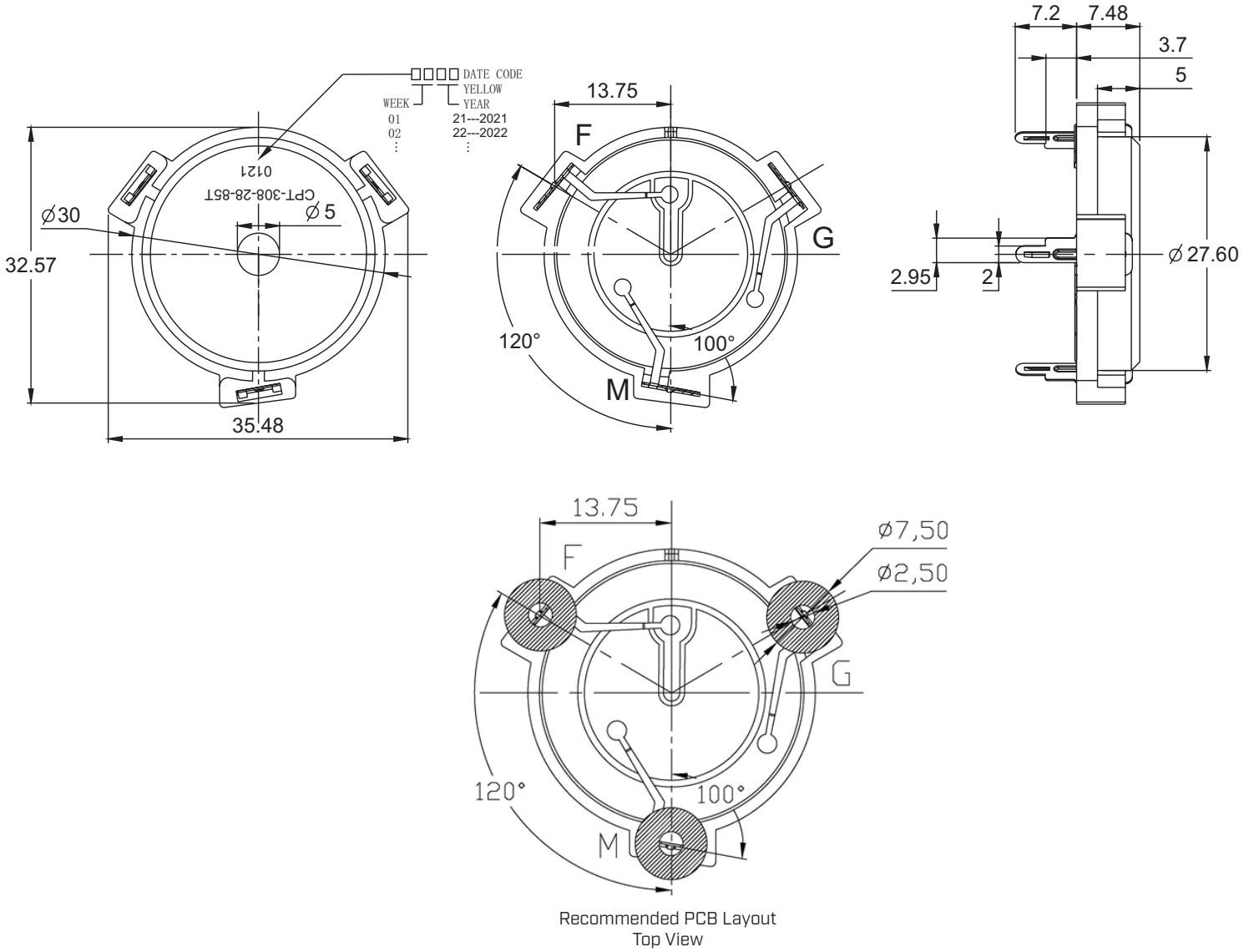
Notes: 1. All specifications measured at 5-35°C, humidity at 45-85%, under 86-106kPa pressure, unless otherwise noted.

SOLDERABILITY

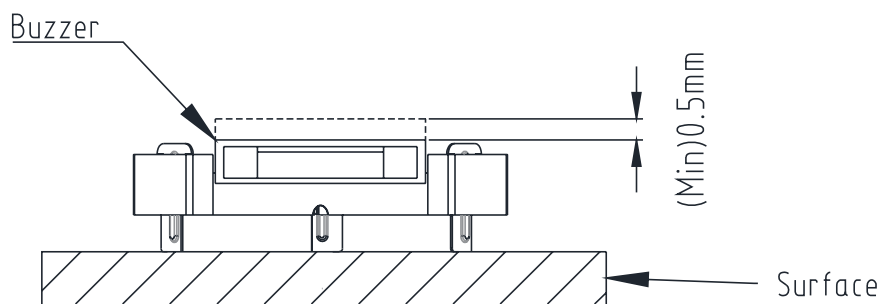
parameter	conditions/description	min	typ	max	units
hand soldering	for maximum 5 seconds	270		280	°C

MECHANICAL DRAWING

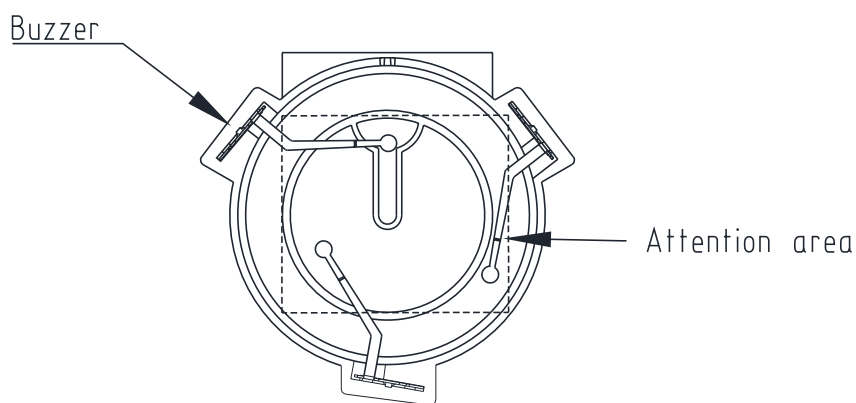
units: mm
tolerance: ±0.5 mm



INSTALLATION GUIDELINES



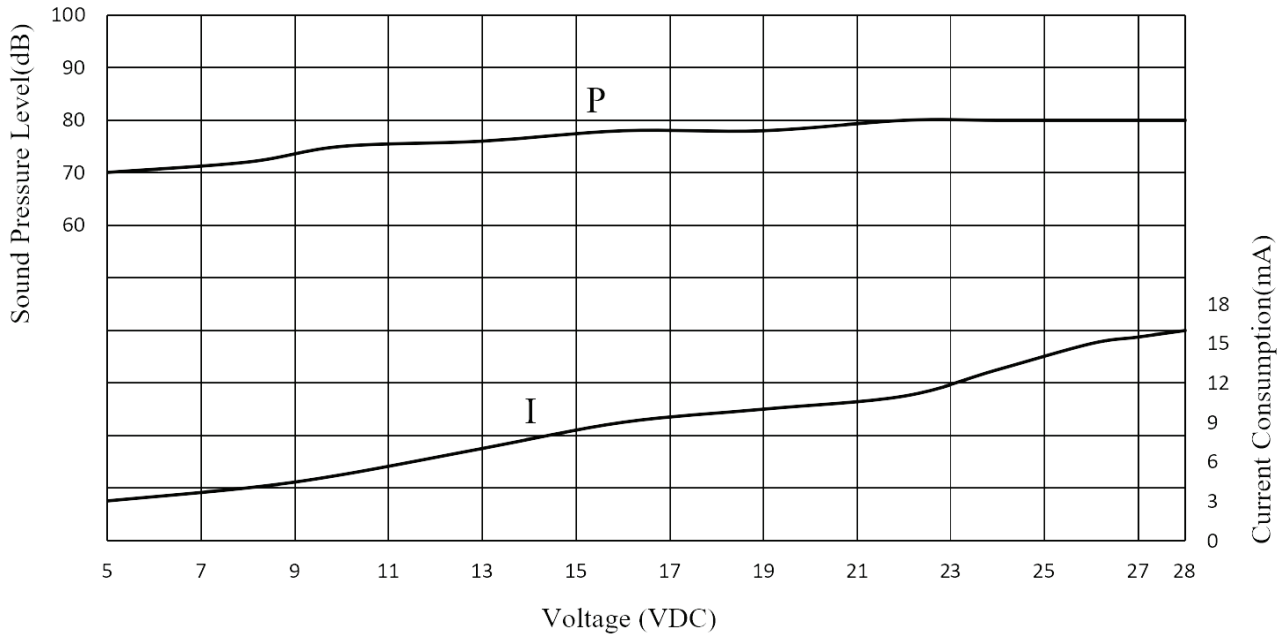
It's recommended reserve at least 0.5mm between the product and the surface. And the surface must not have any protrusions.



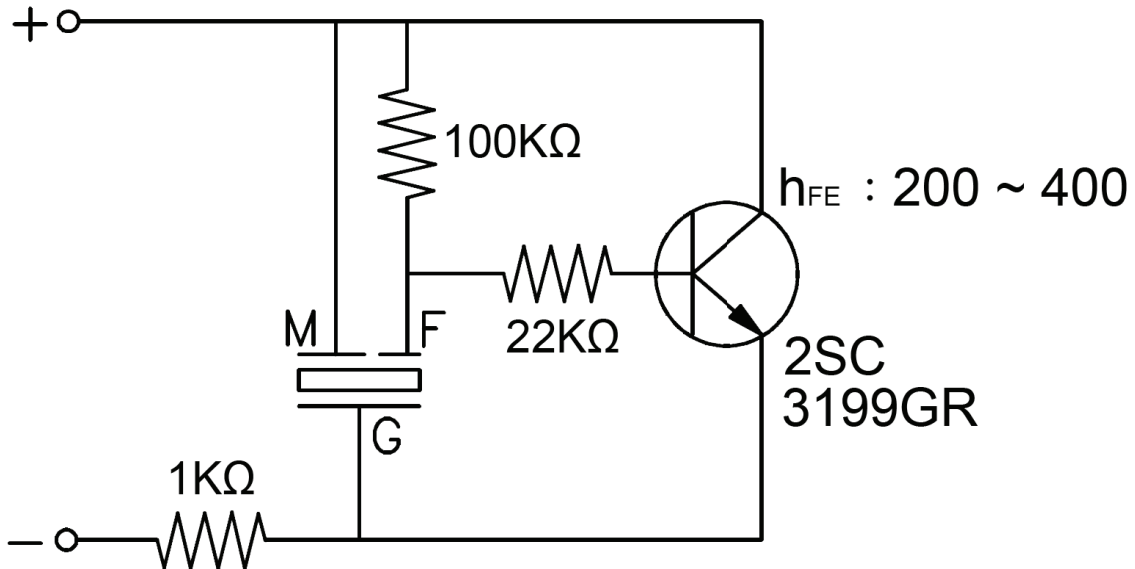
If buzzer's piezo side close to any potentially conductive surface, it is recommended that the product body surface (not piezo side) should add insulating tape to prevent short circuit conditions.

PERFORMANCE CURVES

P: Voltage vs. Sound Pressure Level
 I: Voltage vs. Current Consumption
 at 30 cm



DRIVING CIRCUIT



Notes: 1. The current consumption and the sound pressure level are measured by using the recommend driving circuit shown above.

PACKAGING

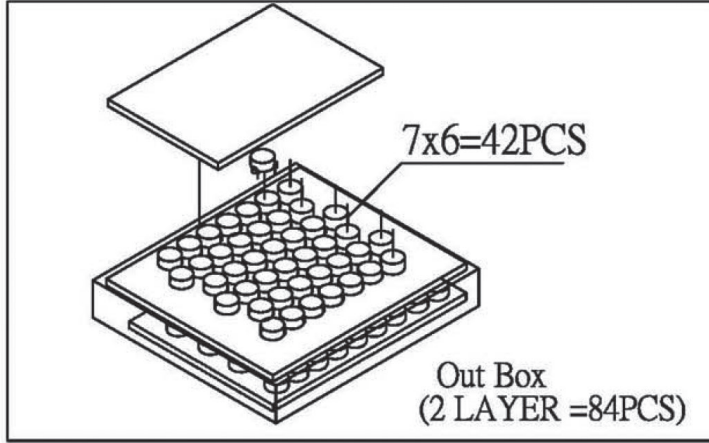
units: mm

Inner Box Size: 310 x 248 x 49 mm

Carton Size: 550 x 330 x 290 mm

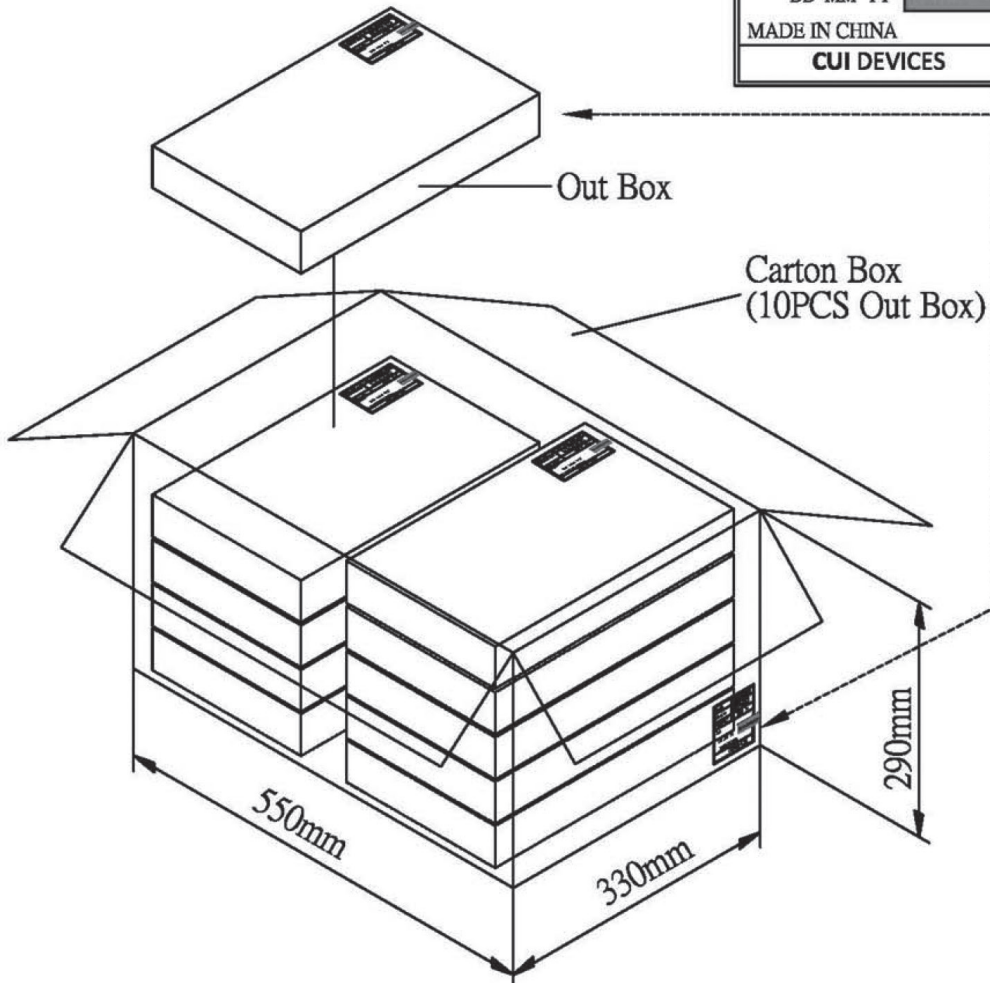
Inner Box QTY: 84 pcs per box

Carton QTY: 840 pcs per carton



Lot No.	XXXXXXXXXX
Model No.	XXXXXXXXXX XXXXXXXXXX
Quantity.	XXXX Pcs
Date:	
	DD MM YY
	MADE IN CHINA
	CUI DEVICES

RoHs Compliant



REVISION HISTORY

rev.	description	date
1.0	initial release	11/24/2021
1.01	logo, datasheet style update	08/05/2022

The revision history provided is for informational purposes only and is believed to be accurate.



CUI Devices offers a one (1) year limited warranty. Complete warranty information is listed on our website.

CUI Devices reserves the right to make changes to the product at any time without notice. Information provided by CUI Devices is believed to be accurate and reliable. However, no responsibility is assumed by CUI Devices for its use, nor for any infringements of patents or other rights of third parties which may result from its use.

CUI Devices products are not authorized or warranted for use as critical components in equipment that requires an extremely high level of reliability. A critical component is any component of a life support device or system whose failure to perform can be reasonably expected to cause the failure of the life support device or system, or to affect its safety or effectiveness.

cuidevices.com