

CABLINE® -CA II

Fully-shielded with mechanical lock, high-data-rate transfer, 0.4 mm pitch, horizontal mating type micro-coaxial connector



Product Specifications:

Mating type	Horizontal	
Board Pitch (mm)	0.4	
Wiping Length (mm)	0.54	
Mated size (mm)	Height	1.1 max. with cover
	Width	Formula: 6.95 + (0.4*?p)
	Depth	6.2
Pin Counts	Range	Up to 60
	Available	20, 30, 40, 50

Applicable Cable Size:

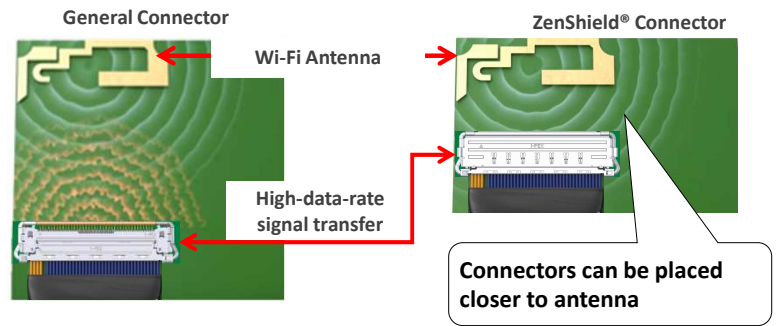
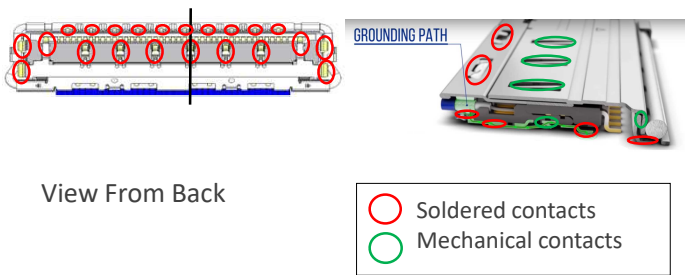
Maximum O.D. (mm)	0.4
Micro-Coaxial for Signal (AWG)	45 ohm: #38 or smaller 50 ohm: #40 or smaller
Twinax (AWG)	#40, #42
Discrete (AWG)	#34 or smaller

Applicable Standards (Reference Only):

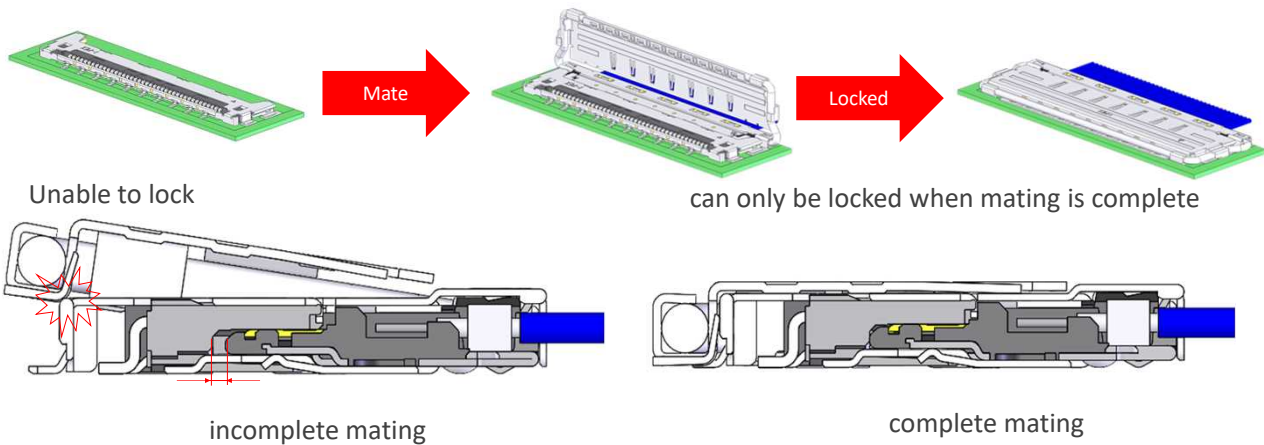
USB4/Thunderbolt 4 (20 Gbps/lane), PCIe® Gen 4 (16 GT/s), eDP HBR 3 (8.1 Gbps)

* Please inquire for pin counts not listed or outside of the pin count range.
* 60p is also available with CABLINE®-CA II PLUS (wider space type).

▶ ZenShield® fully-shielded with multi-point grounds to prevent EMI leakage



▶ Mechanical locking cover prevents incomplete mating and back-out/un-mating

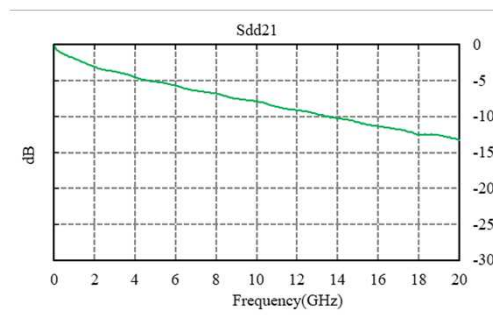


▶ Excellent differential SI performance

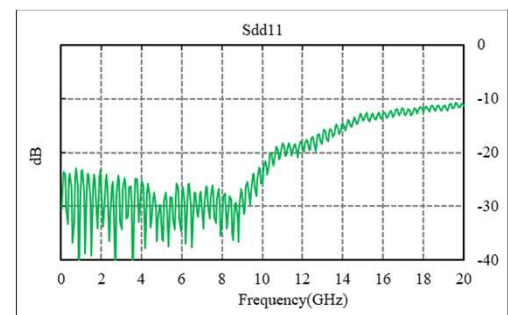
Test material:
CABLINE-CA II harness (GND finger type)

Cable: Micro-coaxial AWG #38 45Ω

Cable Length: 320mm



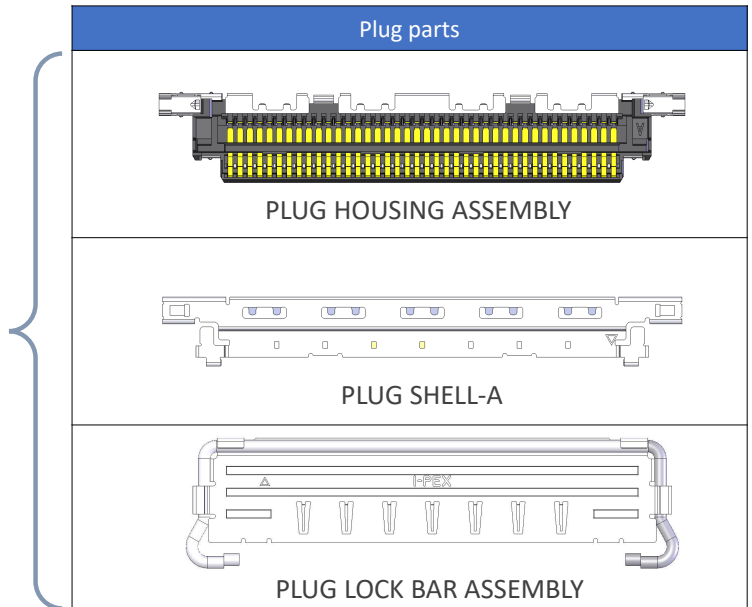
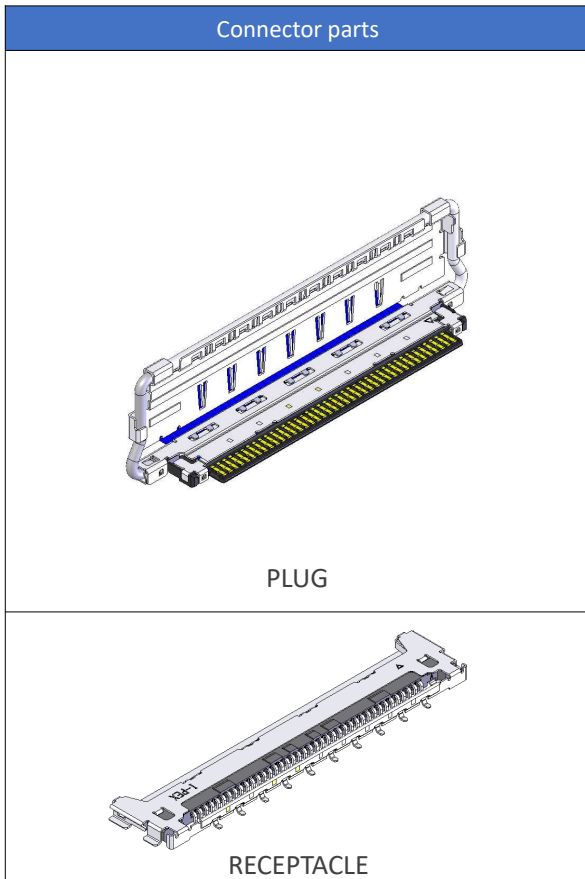
Insertion Loss



Return Loss

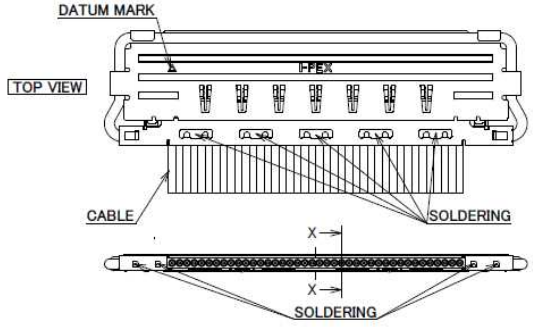
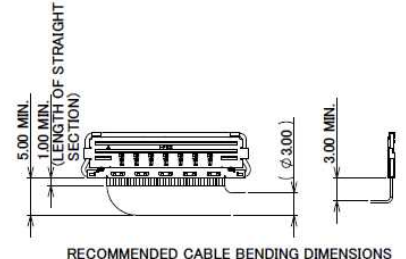
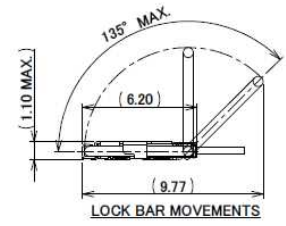
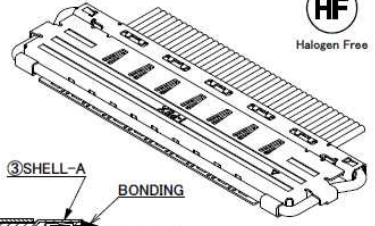
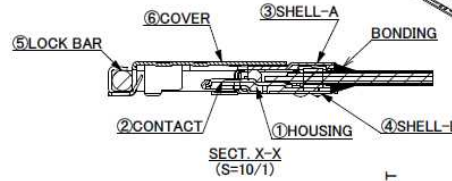
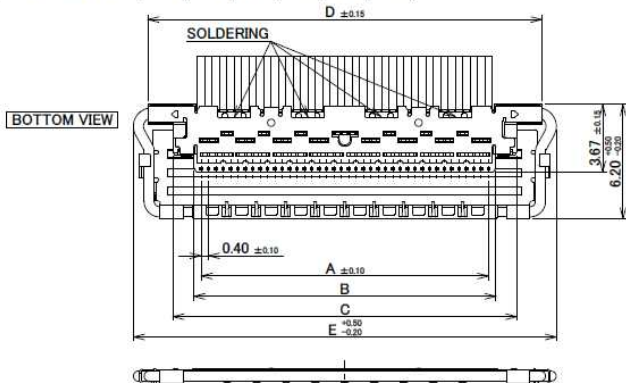
Component Parts Details

Component Parts



Plug for Cable Assembly

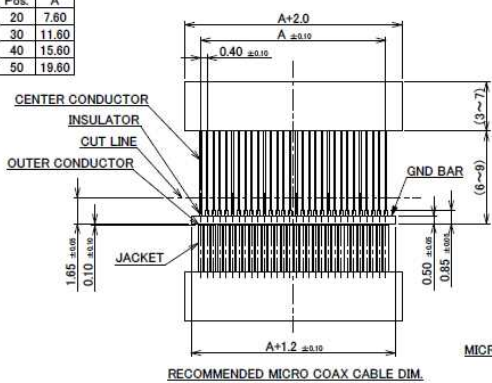
Recommended P/N		20679-0**T-01				
PART NO.	Pos.	A	B	C	D	E
20679-020T-01	20	7.60	8.40	10.66	13.40	14.95
20679-030T-01	30	11.60	12.40	14.66	17.40	18.95
20679-040T-01	40	15.60	16.40	18.66	21.40	22.95
20679-050T-01	50	19.60	20.40	22.66	25.40	26.95



NO.	DISCRIPTION	MATERIAL	FINISH, REMARKS
6	COVER	PHOSPHOR BRONZE	ALL OVER Ni 1.00 μm MIN.
5	LOCK BAR	SUS	-
4	SHELL-B	PHOSPHOR BRONZE	PARTIAL Au 0.003 μm MIN. OVER Ni 1.00 μm MIN.
3	SHELL-A	PHOSPHOR BRONZE	PARTIAL Au 0.003 μm MIN. OVER Ni 1.00 μm MIN.
2	CONTACT	PHOSPHOR BRONZE	ALL OVER Ni 1.00 μm MIN. CONTACT & SOLDERING AREA : Au 0.03 μm MIN.
1	HOUSING	LCP	UL94V-0_BLACK

Rev.8

PART NO.	Pos.	A
20679-020T-01	20	7.60
20679-030T-01	30	11.60
20679-040T-01	40	15.60
20679-050T-01	50	19.60



CHARACTERISTIC IMPEDANCE MATCHING MICRO COAX CABLE

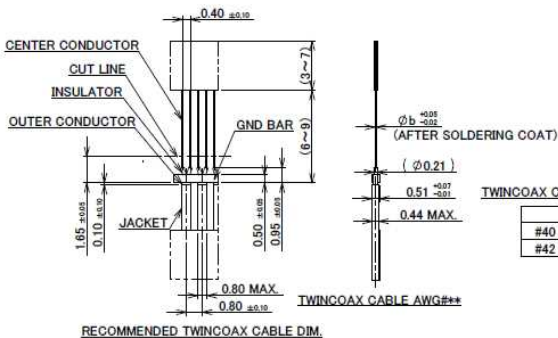
#	a
#38	0.12
#40	0.09
#42	0.075
#44	0.063

CHARACTERISTIC IMPEDANCE UN-MATCHING MICRO COAX CABLE

#	a
#36	0.15

MICRO COAX CABLE #36 : NOT RECOMMENDED FOR HIGH SPEED SIGNAL TRANSFER

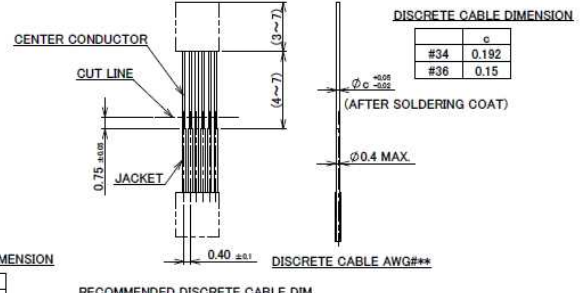
MICRO COAX CABLE AWG#**



TWINCOAX CABLE DIMENSION

#	b
#40	0.09
#42	0.075

RECOMMENDED TWINCOAX CABLE DIM.



DISCRETE CABLE DIMENSION

#	c
#34	0.192
#36	0.15

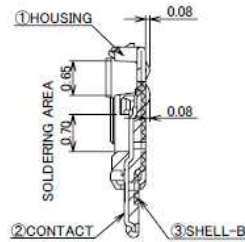
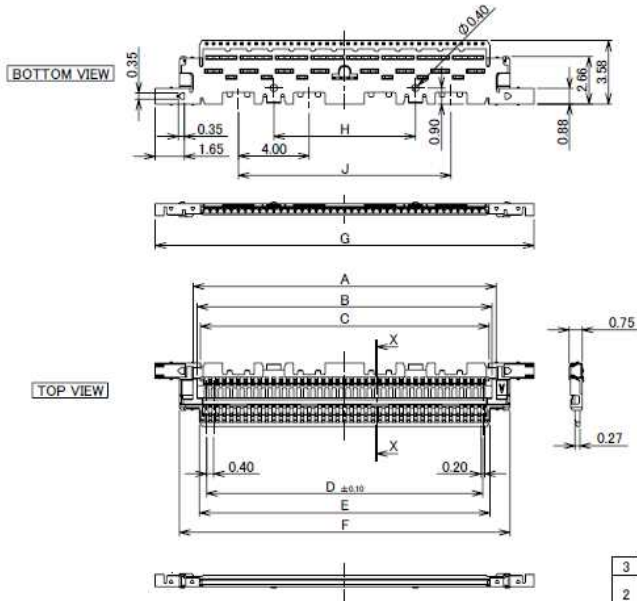
RECOMMENDED DISCRETE CABLE DIM.

Rev.8

Plug Housing Assembly

Recommended P/N 20680-0**T-01

PART NO.	Pos.	A	B	C	D	E	F	G	H	J
20680-020T-01	20	9.10	8.65	8.30	7.60	8.40	10.66	13.40	-	5.00
20680-030T-01	30	13.10	12.65	12.30	11.60	12.40	14.66	17.40	4.00	8.00
20680-040T-01	40	17.10	16.65	16.30	15.60	16.40	18.66	21.40	8.00	12.00
20680-050T-01	50	21.10	20.65	20.30	19.60	20.40	22.66	25.40	12.00	16.00
20680-060T-01	60	25.10	24.65	24.30	23.60	24.40	26.66	29.40	16.00	20.00



- NOTES.**
- THIS PART IS ASSEMBLED WITH SHELL A(P/N 3204-0**1) AND LOCK BAR ASS'Y(P/N 20681-0**T-01) AFTER SOLDERED THE CABLE, AND IT BECOMES P/N 20679-0**T-01
 - THIS PART IS ASSEMBLED WITH SHELL A(P/N 3204-0**1) AND LOCK BAR ASS'Y(P/N 20789-0**T-01) AFTER SOLDERED THE CABLE, AND IT BECOMES P/N 20788-0**T-01

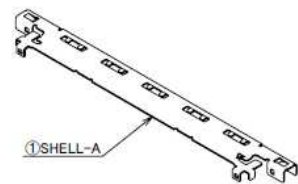
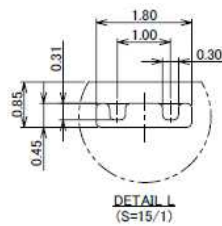
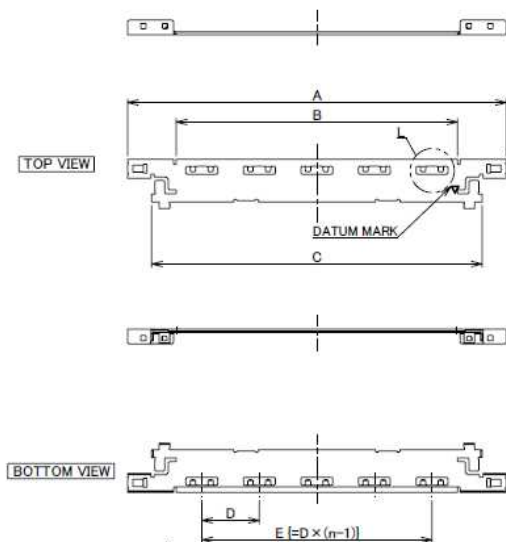
NO.	DISCRIPTION	MATERIAL	FINISH , REMARKS
3	SHELL-B	PHOSPHOR BRONZE	PARTIAL Au 0.003 μm MIN. OVER Ni 1.00 μm MIN.
2	CONTACT	PHOSPHOR BRONZE	ALL OVER Ni 1.00 μm MIN. CONTACT & SOLDERING AREA : Au 0.03 μm MIN.
1	HOUSING	LCP	UL94V-0 BLACK

Rev.7

Plug Shell-A

Recommended P/N 3204-0**1

PART NO.	Pos.	A	B	C	D	E
3204-0201	20	13.40	7.88	10.66	2.50	5.00
3204-0301	30	17.40	11.88	14.66	3.00	9.00
3204-0401	40	21.40	15.88	18.66	3.25	13.00
3204-0501	50	25.40	19.88	22.66	3.40	17.00
3204-0601	60	29.40	23.88	26.66	4.00	20.00

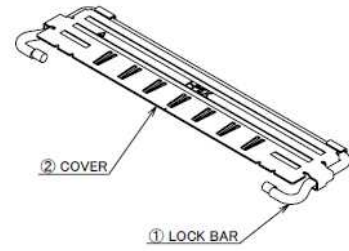
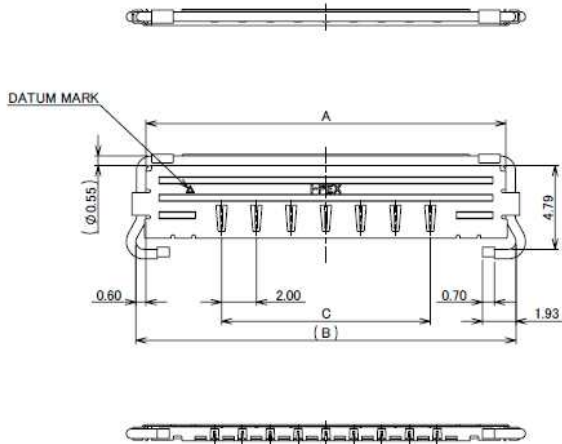


NO.	DISCRIPTION	MATERIAL	FINISH , REMARKS
1	SHELL-A	PHOSPHOR BRONZE	PARTIAL Au 0.003 μm MIN. OVER Ni 1.00 μm MIN.

Rev.7

Lock Bar Assembly

Recommended P/N		20681-0**T-01		
PART NO.	Pos.	A	B	C
20681-020T-01	20	12.65	13.85	4.00
20681-030T-01	30	16.65	17.85	8.00
20681-040T-01	40	20.65	21.85	12.00
20681-050T-01	50	24.65	25.85	16.00



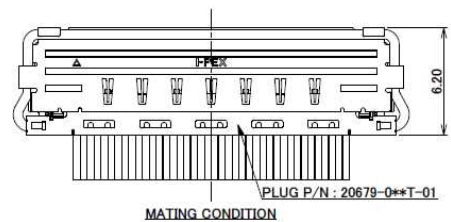
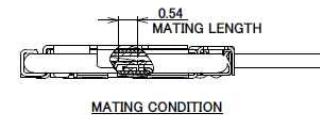
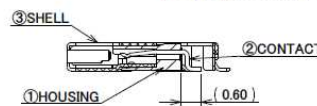
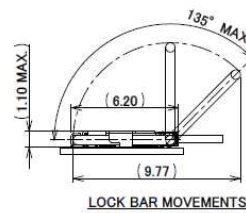
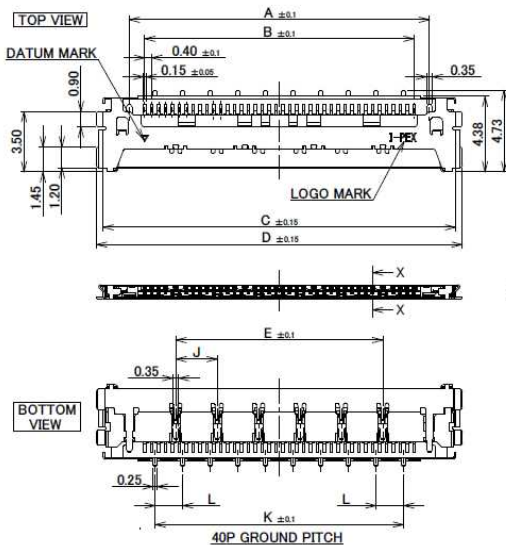
NO.	DISCRIPTION	MATERIAL	FINISH , REMARKS
2	COVER	PHOSPHOR BRONZE	ALL OVER Ni 1.00 μm MIN.
1	LOCK BAR	SUS φ0.55	-

Rev.5

Receptacle Assembly

Recommended P/N		20682-0**E-02							
PART NO.	Pos.	A	B	C	D	E	J	K	L
20682-020E-02	20	9.40	7.60	12.43	13.20	4.80	2.40	5.60	2.00
20682-030E-02	30	13.40	11.60	16.43	17.20	9.60	2.40	12.00	1.60
20682-040E-02	40	17.40	15.60	20.43	21.20	12.00	2.40	14.40	1.60
20682-050E-02	50	21.40	19.60	24.43	25.20	16.80	2.80	18.40	1.60

P/N : 20682-0**E-02
Pos.

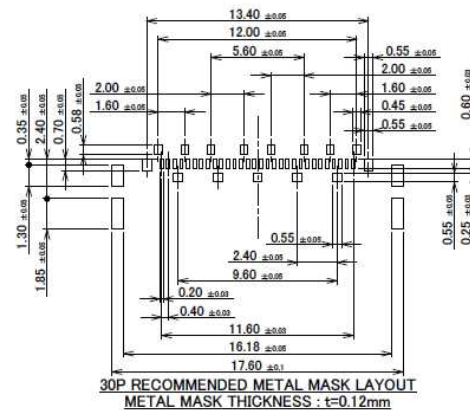
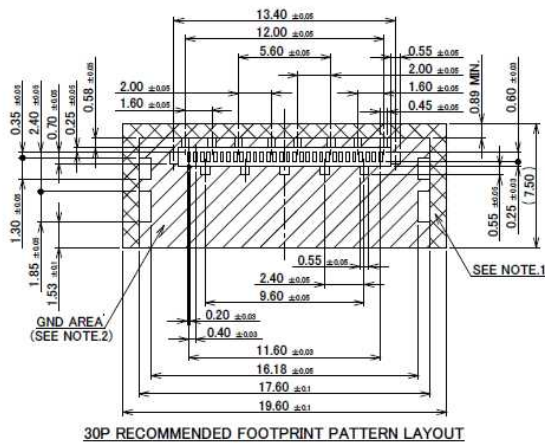
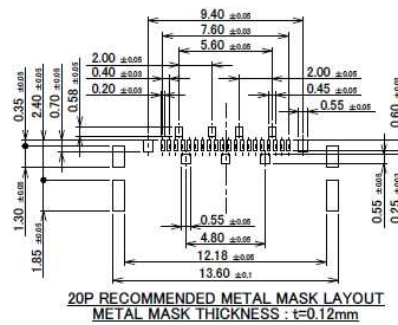
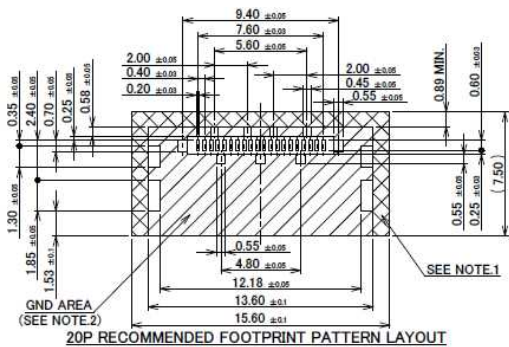
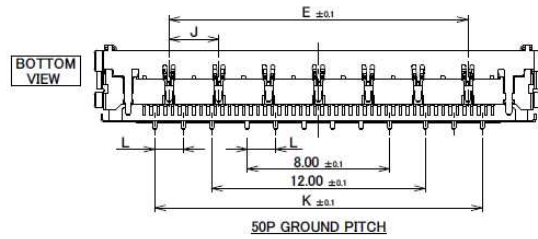
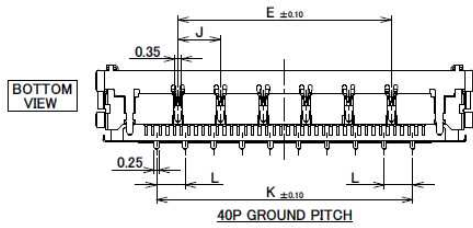
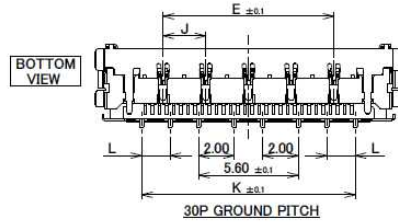
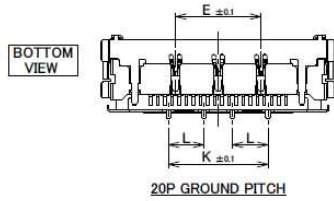


NO.	DISCRIPTION	MATERIAL	FINISH , REMARKS
3	SHELL	PHOSPHOR BRONZE	ALL OVER Ni 1.00 μm MIN. SOLDERING AREA : Au 0.03 μm MIN.
2	CONTACT	PHOSPHOR BRONZE	ALL OVER Ni 1.00 μm MIN. CONTACT & SOLDERING AREA : Au 0.03 μm MIN.
1	HOUSING	LCP	UL94V-0 BLACK

Rev.12

Receptacle Assembly

PART NO.	Pos.	E	J	K	L
20682-020E-02	20	4.80	2.40	5.60	2.00
20682-030E-02	30	9.60	2.40	12.00	1.60
20682-040E-02	40	12.00	2.40	14.40	1.60
20682-050E-02	50	16.80	2.80	18.40	1.60

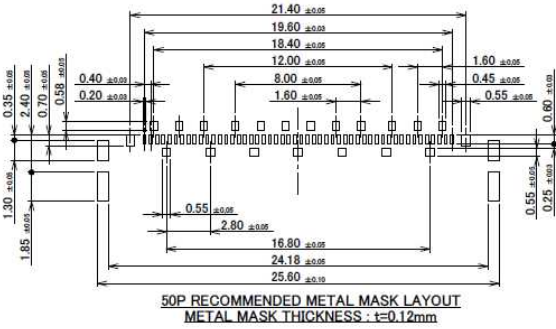
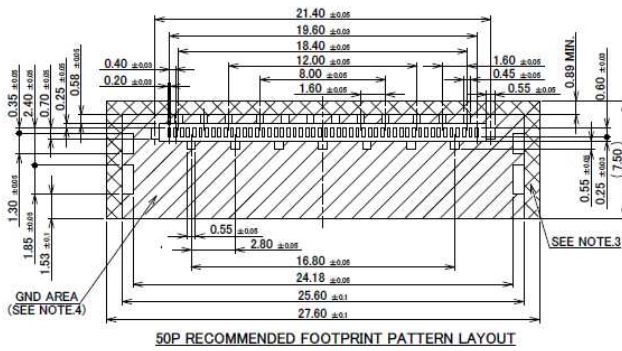
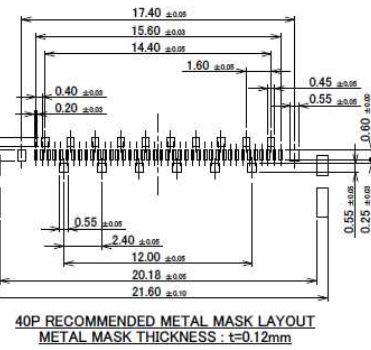
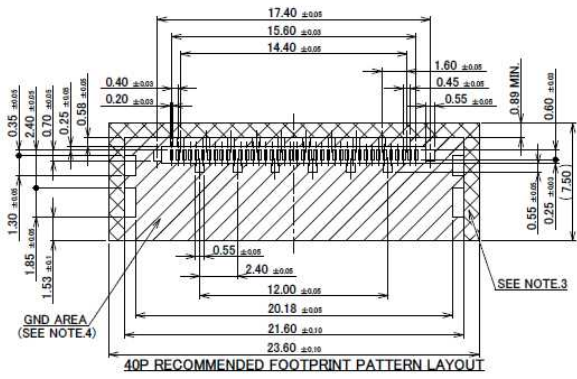


- NOTES.
1. THIS AREA CANNOT MOUNT ANOTHER COMPONENTS.
 2. SOLDER RESIST SHALL BE APPLIED TO PREVENT SHORT CIRCUITS WHEN PLACING SIGNAL LINES ON GROUND AREA.

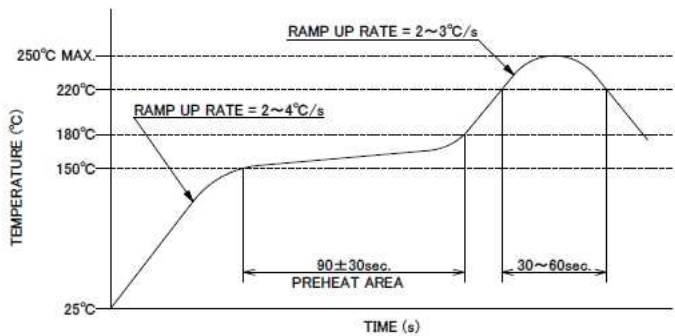
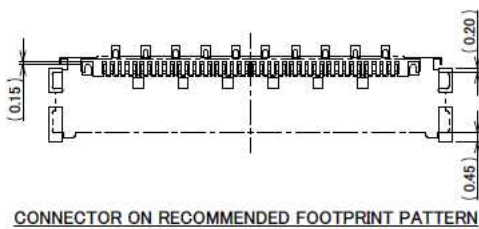
Rev.12

Rev.12

Receptacle Assembly



- NOTES:
- 3. THIS AREA CANNOT MOUNT ANOTHER COMPONENTS.
 - 4. SOLDER RESIST SHALL BE APPLIED TO PREVENT SHORT CIRCUITS WHEN PLACING SIGNAL LINES ON GROUND AREA.



SENJU METAL INDUSTRY CO., LTD. : M705-SHF(Sn96.5 Ag3.0 Cu0.5)

Rev.12

Rev.12

ITEMS	SPECIFICATION
APPLICABLE CABLE	MICRO COAX : AWG# 44 , 42 , 40 , 38 , 36 DISCRETE : AWG# 36 , 34 TWINCOAX : AWG# 40 , 42
RATING VOLTAGE	100V AC (PER CONTACT)
RATING AMPERAGE (FOR CONTACT)	0.1A AC/DC [AWG#44] PER CONTACT/UP TO 50 CONTACTS 0.24A AC/DC [AWG#42] PER CONTACT/UP TO 50 CONTACTS 0.3A AC/DC [AWG#40] PER CONTACT/UP TO 50 CONTACTS 0.5A AC/DC [AWG#38] PER CONTACT/UP TO 18 CONTACTS 0.8A AC/DC [AWG#36] PER CONTACT/UP TO 6 CONTACTS 1.0A AC/DC [AWG#34] PER CONTACT/UP TO 6 CONTACTS ※TESTING BY A REAL MACHINE IS RECOMMENDED BECAUSE TEMPERATURE RISE MAY AFFECTED BY ACTUAL SITUATION.
OPERATING TEMPERATURE	233~378K(-40°C~105°C)
OPERATING HUMIDITY	85% MAX.(NON-CONDENDING)
CONTACT RESISTANCE	INITIAL : 180mohm MAX.(AWG#34) / AFTER TEST : 140mohm MAX. 275mohm MAX.(AWG#38) 360mohm MAX.(AWG#38) 600mohm MAX.(AWG#40) 700mohm MAX.(AWG#42) 1080mohm MAX.(AWG#44)
GROUND SHELL RESISTANCE	INITIAL : 50mohm MAX. / AFTER TEST : 140mohm MAX.
INSULATION RESISTANCE	INITIAL : 1000Mohm MIN. / AFTER TEST : 500Mohm MIN.
DIELECTRIC WITHSTANDING VOLTAGE	AC250V 1min
DURABILITY	30 CYCLES
MATING FORCE (INITIAL / AFTER 30 CYCLES)	20P : 9.70N MAX. 30P : 14.55N MAX. 40P : 19.40N MAX. 50P : 24.25N MAX.
UN-MATING FORCE (INITIAL / AFTER 30 CYCLES)	20P : 2.0N MIN. 30P : 3.0N MIN. 40P : 4.0N MIN. 50P : 5.0N MIN.
CABLE RETENTION FORCE	20P : 9.70N MIN. 30P : 14.55N MIN. 40P : 19.40N MIN. 50P : 24.25N MIN.
COPLANARITY	0.10 MAX.
PRODUCT SPECIFICATION	PRS-2163
TEST REPORT	TR-15103
INSTRUCTION MANUAL	HBM-15033
PACKING STANDARD	PST-15027
APPEARANCE CRITERIA No.	QLS-A***

Rev.12

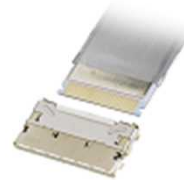
Board to Board



High-Density



Autolocking FPC/FFC



High-Density



FPC/FFC



Micro-Coaxial / Discrete Cable



High-Speed



RF



High-Frequency



Optical Module



High-Speed



Power



High-Power



I/O (Input/Output)



Quick charge



Effector



Custom Connectors Available

Inquiry



I-PEX, MHF, CABLINE, NOVASTACK, EVAFLEX, MINIFLEX, ISH, IARPB, IASLP, ESTORQ, ISFIT, i-Fit and ZenShield are registered trademarks of I-PEX Inc. Please note that the contents in the catalog might be changed without prior notification. I-PEX Inc. assumes no responsibility for any inaccuracies or obligation to update information on these documents. Please be sure to read and understand the latest "Precautions for Use" and "Instruction Manual" before you use our products. We shall not be responsible for any defects, damages or troubles in case you use our products without following the precautions for use. Please feel free to contact our sales representatives when you use our products for any applications that require very high reliability and safety, or that relate to human life (ex. nuclear power control, aerospace, transportation, medical equipment, safety equipment etc.).

Contact your sales representative or more detailed information.

www.i-pex.com



I-PEX

© I-PEX Inc. 2022 All rights reserved.