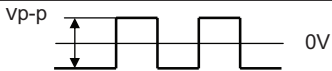


MODEL: CPT-5828-108L170 | **DESCRIPTION:** PIEZO BUZZER TRANSDUCER

FEATURES

- high SPL
- operating voltage 3-85 V
- screw holes


SPECIFICATIONS

parameter	conditions/description	min	typ	max	units
rated voltage			85		Vp-p
operating voltage		3		85	Vp-p
current consumption	at rated voltage, 2,700 Hz, ½ duty square wave			90	mA
rated frequency			2,700		Hz
sound pressure level	at 30 cm, rated voltage, 2,700 Hz, ½ duty square wave	103	108		dB
electrostatic capacitance	at 120 Hz/1 V	24,500	35,000	45,500	pF
dimensions	58.5 x 52.8 x 28.3				mm
weight				26	g
material	ABS				
terminal	wire leads				
operating temperature		-20		70	°C
storage temperature		-30		85	°C
washable	no				
RoHS	yes				

Notes: 1. All specifications measured at 5-35°C, humidity at 45-85%, under 86-106 kPa pressure, unless otherwise noted.

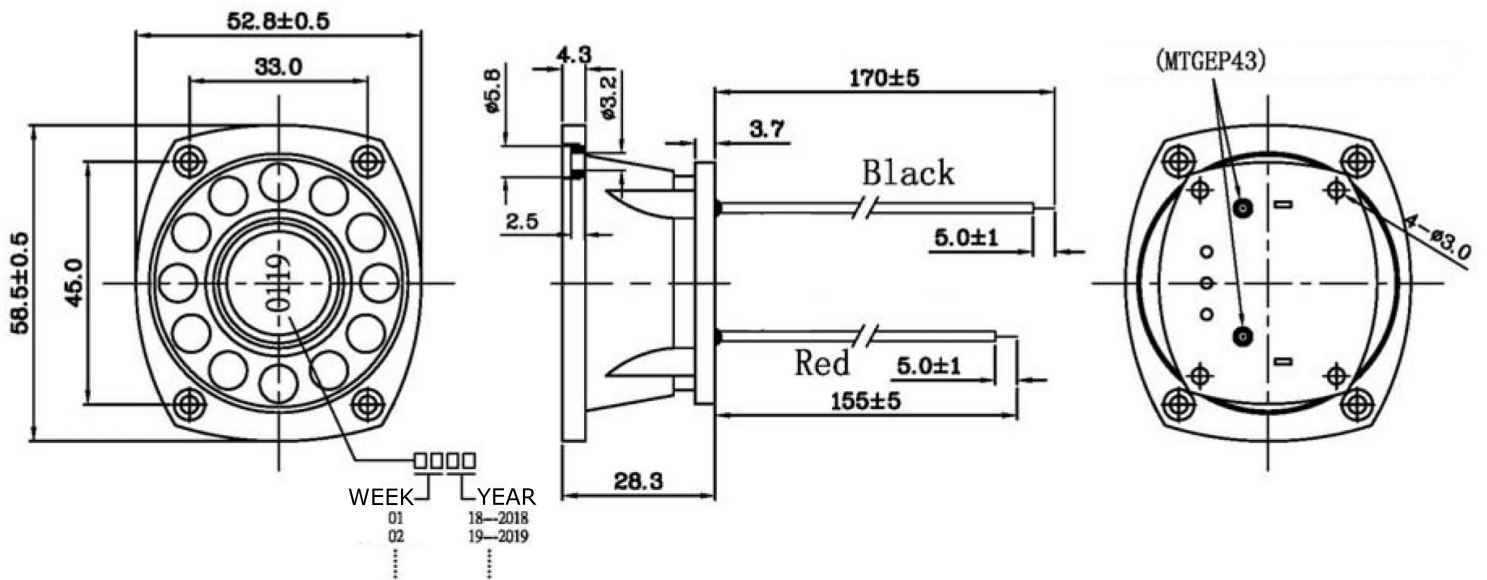
SOLDERABILITY

parameter	conditions/description	min	typ	max	units
hand soldering	for maximum 3 seconds			380	°C

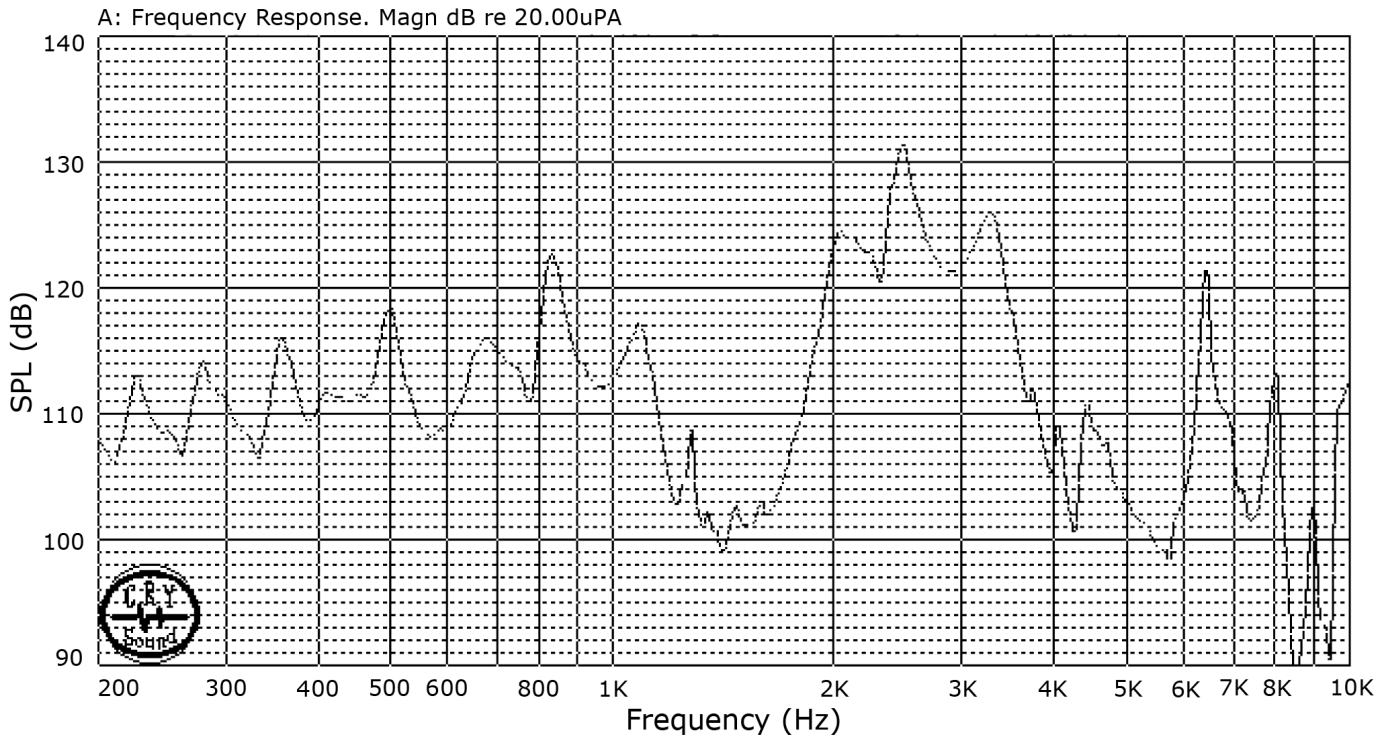
MECHANICAL DRAWING

units: mm
tolerance: ± 0.5 mm

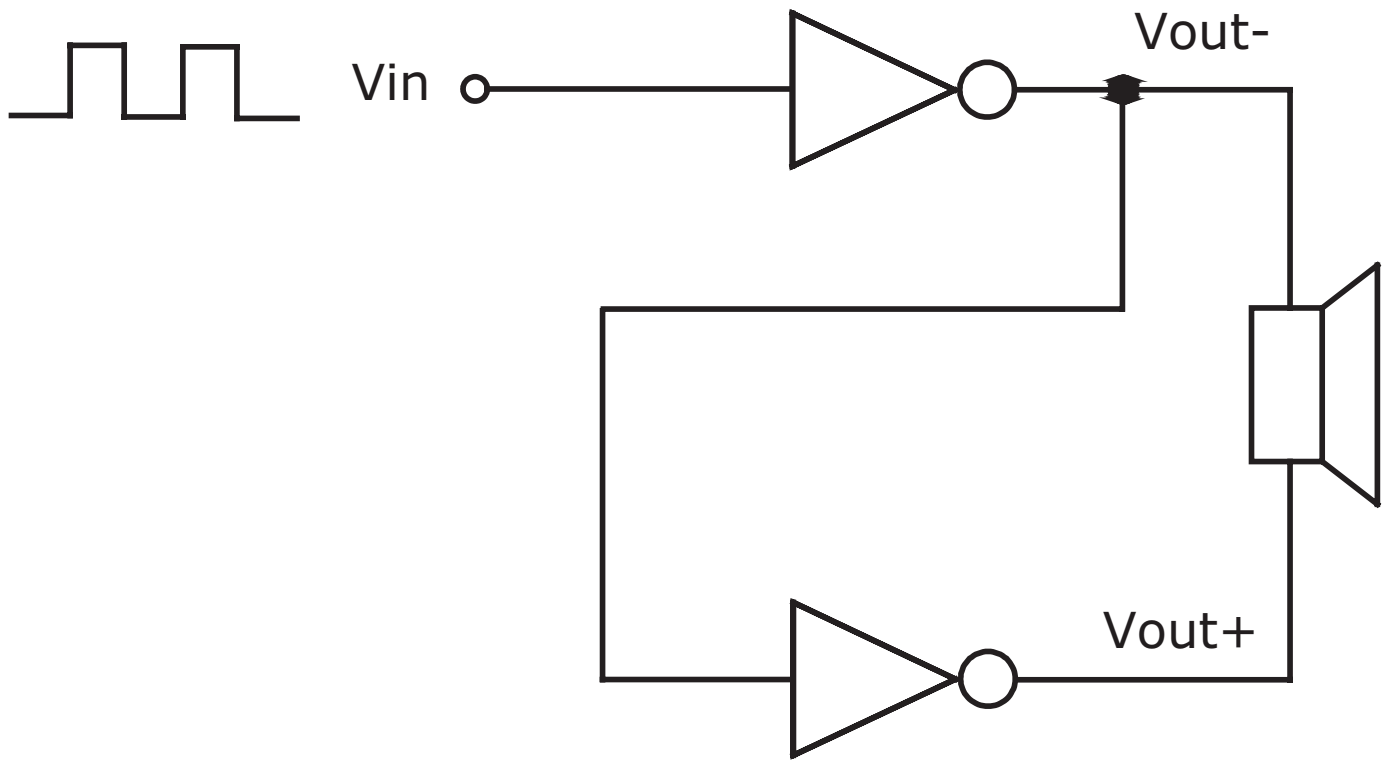
wire: UL1007 24AWG



FREQUENCY RESPONSE CURVE



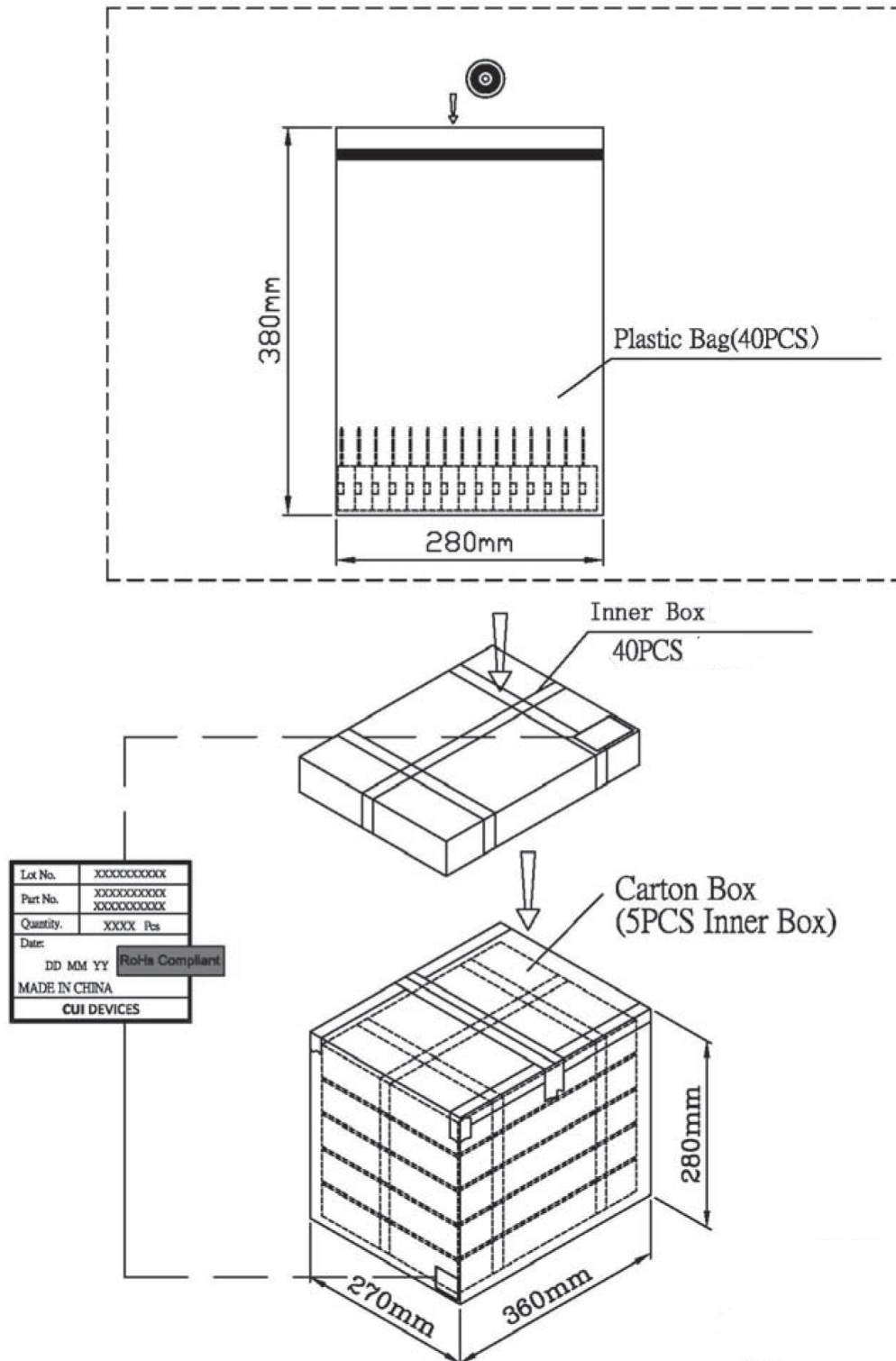
APPLICATION CIRCUIT



PACKAGING

units: mm

Carton Size: 360 x 270 x 280 mm
 Carton QTY: 200 pcs per carton



REVISION HISTORY

rev.	description	date
1.0	initial release	12/11/2019
1.01	logo, datasheet style update	08/05/2022

The revision history provided is for informational purposes only and is believed to be accurate.



CUI Devices offers a one (1) year limited warranty. Complete warranty information is listed on our website.

CUI Devices reserves the right to make changes to the product at any time without notice. Information provided by CUI Devices is believed to be accurate and reliable. However, no responsibility is assumed by CUI Devices for its use, nor for any infringements of patents or other rights of third parties which may result from its use.

CUI Devices products are not authorized or warranted for use as critical components in equipment that requires an extremely high level of reliability. A critical component is any component of a life support device or system whose failure to perform can be reasonably expected to cause the failure of the life support device or system, or to affect its safety or effectiveness.

cuidevices.com