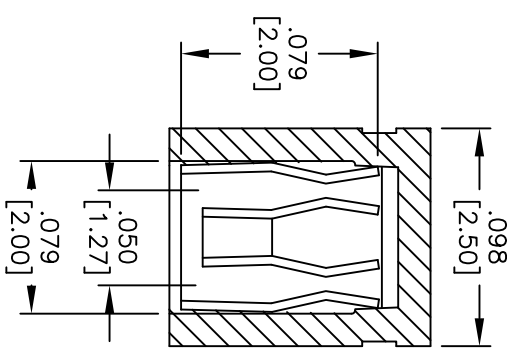
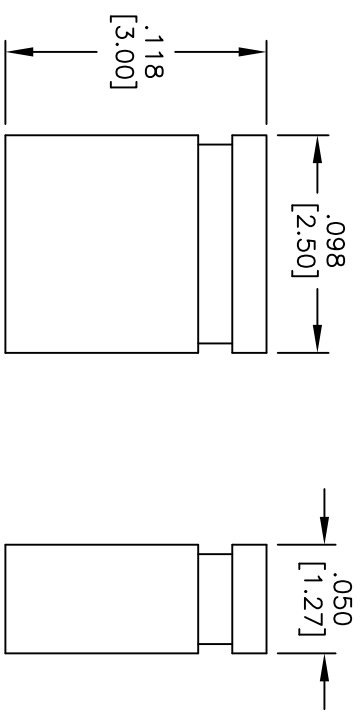


Rev	AWO #	Description	Date	Appr
-		RELEASED	4/08/09	

APPROVED: _____
 DATE: _____ TITLE: _____



PLATING	ADAM TECH P/N:
GOLD	HMSC-G
TIN	HMSC-T

SPECIFICATIONS:

Material: Nylon66, glass reinforced, rated UL 94V-0
 Insulator color: Black
 Contacts: Phosphor Bronze

Plating:
 G = Gold flash over Nickel underplate overall
 T = Tin over Copper underplate overall

Electrical:
 Current rating: 1 Amp max
 Contact resistance: 30 mohms max
 Insulation resistance: 1,000 Mohms min
 Dielectric withstanding voltage: 650 VAC for 1 minute
 Temperature Rating:
 Operating temperature: -55°C to +105°C

Environmental:
 Lead free, RoHS compliant



UNLESS OTHERWISE SPECIFIED ALL DIMENSIONS ARE INCHES [MM]	
TOLERANCES: EXCEPT AS NOTED	
INCHES	HOLEES
.X ± .10	Ø.X ± .10
.XX ± .020	Ø.XX ± .015
.XXX ± .015	Ø.XXX ± .010
APPROVALS	DATE
DRAWN	DY
CHECKED	
APPROVED	

ADAM TECH
 909 Railway Avenue, Union, NJ 07083
 Phone: 908-687-5000 Fax: 908-687-5710

TITLE: .050 [1.27] MINI SHUNT, CLOSED TOP
 .118 [3.00] HEIGHT, COLOR BLACK

SIZE	PART NO.	REV.
X	HMSC-X	-
REF: S00076T	SCALE: NTS	SHEET 1 OF 1