



Integrated Device Technology, Inc.

**FAST CMOS
OCTAL TRANSCEIVER/
REGISTER**

**PRELIMINARY
IDT 54/74FCT646/A
IDT 54/74FCT648/A**

T-52-31

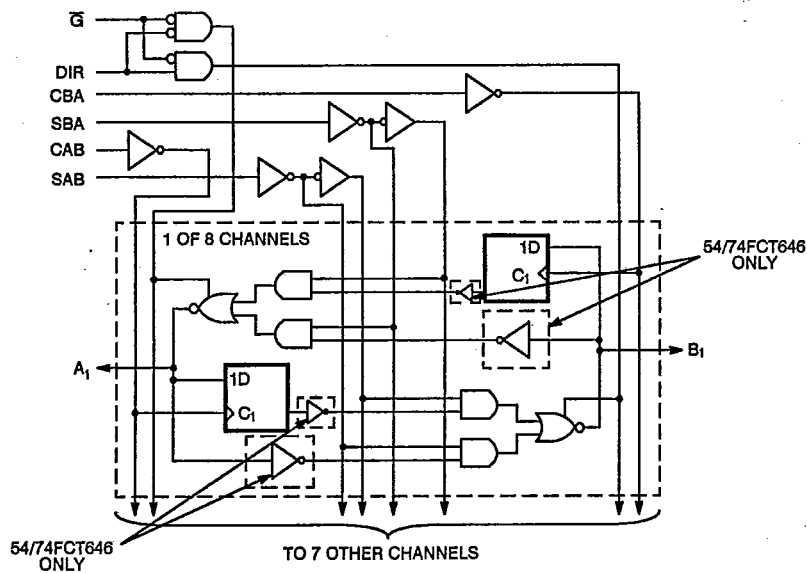
FEATURES:

- IDT54/74FCT646 and IDT54/74FCT648 equivalent to FAST™ speed;
- IDT54/74FCT646A and IDT54/74FCT648A are 30% faster than FAST
- Equivalent to FAST output drive over full temperature and voltage supply extremes
- Independent registers for A and B buses
- Multiplexed real-time and stored data
- Choice of true and inverting data paths
- 3-state outputs
- $I_{OL} = 64mA$ (commercial) and 48mA (military)
- CMOS power levels (5 μ W typ. static)
- TTL input and output level compatible
- CMOS output level compatible
- Available in 24-pin, 300 mil CERDIP, plastic DIP, SOIC, CER-PACK, 28-pin LCC and PLCC
- Product available in Radiation Tolerant and Enhanced versions
- Military product compliant to MIL-STD-883, Class B

DESCRIPTION:

The IDT54/74FCT646/A and IDT54/74FCT648/A consist of a bus transceiver circuit with 3-state D-type flip-flops and control circuitry arranged for multiplexed transmission of data directly from the input bus or from the internal registers. Data on the A or B bus will be clocked into the registers as the appropriate clock pin goes to a high logic level. Enable Control \bar{G} and direction pins are provided to control the transceiver function. In the transceiver mode, data present at the high impedance port may be stored in either the A or the B register, or in both. The select controls can multiplex stored and real-time (transparent mode) data. The direction control determines which bus will receive data when the enable control \bar{G} is Active LOW. In the isolation mode (Enable Control \bar{G} HIGH), A data may be stored in the B register and/or B data may be stored in the A register.

FUNCTIONAL BLOCK DIAGRAM



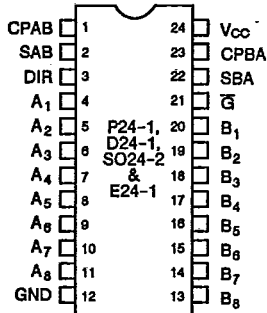
CEMOS is a registered trademark of Integrated Device Technology, Inc.
FAST is a trademark of Fairchild Semiconductor Co.

MILITARY AND COMMERCIAL TEMPERATURE RANGES

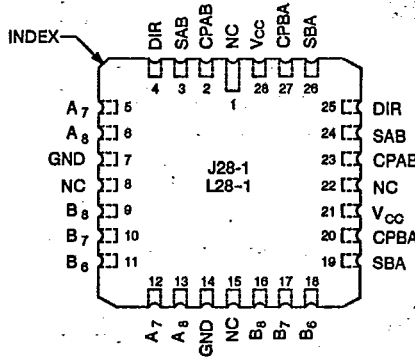
JANUARY 1989

PIN CONFIGURATIONS

T-52-31

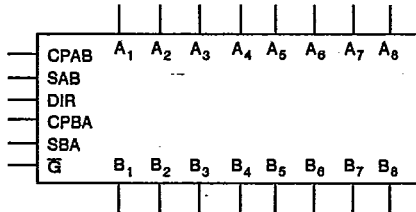


DIP/SOIC/CERPACK TOP VIEW



LCC/PLCC TOP VIEW

LOGIC SYMBOL



PIN DESCRIPTION

PIN NAMES	DESCRIPTION
A ₁ - A ₈	Data Register A Inputs Data Register B Outputs
B ₁ - B ₈	Data Register B Inputs Data Register A Outputs
CPAB, CPBA	Clock Pulse Inputs
SAB, SBA	Transmit/Receive Inputs
DIR, G	Output Enable Inputs



FUNCTION TABLE

INPUTS						DATA I/O ⁽¹⁾		OPERATION or FUNCTION	
G	DIR	CPAB	CPBA	SAB	SBA	A ₁ - A ₈	B ₁ - B ₈	FCT646/A	FCT648/A
H	X	H or L	H or L	X	X	Input	Input	Isolation Store A and B Data	Isolation Store A and B Data
L	L	X	X	X	L	Output	Input	Real Time B Data to A Bus Stored B Data to A Bus	Real Time B Data to A Bus Stored B Data to A Bus
L	H	X	X	L	X	Input	Output	Real Time A Data to B Bus Stored A Data to B Bus	Real Time A Data to B Bus Stored A Data to B Bus
L	H	H or L	X	H	X	Input	Output	Real Time B Data to A Bus Stored B Data to A Bus	Real Time B Data to A Bus Stored B Data to A Bus

- NOTES:
- The data output functions may be enabled or disabled by various signals at the G and DIR inputs. Data input functions are always enabled; i.e., data at the bus pins will be stored on every LOW-to-HIGH transition of the clock inputs.
 - H = HIGH
L = LOW
X = Don't Care
↑ = LOW-to-HIGH Transition

T-52-31

ABSOLUTE MAXIMUM RATINGS (1)

SYMBOL	RATING	COMMERCIAL	MILITARY	UNIT
V _{TERM} (2)	Terminal Voltage with Respect to GND	-0.5 to +7.0	-0.5 to +7.0	V
V _{TERM} (3)	Terminal Voltage with Respect to GND	-0.5 to V _{CC}	-0.5 to V _{CC}	V
T _A	Operating Temperature	0 to +70	-55 to +125	°C
T _{BIAS}	Temperature Under Bias	-55 to +125	-65 to +135	°C
T _{STG}	Storage Temperature	-55 to +125	-65 to +150	°C
P _T	Power Dissipation	0.5	0.5	W
I _{OUT}	DC Output Current	120	120	mA

CAPACITANCE (T_A = +25°C, f = 1.0MHz)

SYMBOL	PARAMETER(1)	CONDITIONS	TYP.	MAX.	UNIT
C _{IN}	Input Capacitance	V _{IN} = 0V	6	10	pF
C _{I/O}	I/O Capacitance	V _{OUT} = 0V	8	12	pF

NOTE:

1. This parameter is guaranteed by characterization and not tested.

NOTES:

- Stresses greater than those listed under ABSOLUTE MAXIMUM RATINGS may cause permanent damage to the device. This is a stress rating only and functional operation of the device at these or any other conditions above those indicated in the operational sections of this specification is not implied. Exposure to absolute maximum rating conditions for extended periods may affect reliability.
- Input and V_{CC} terminals only.
- Outputs and I/O terminals only.

DC ELECTRICAL CHARACTERISTICS OVER OPERATING RANGE

Following Conditions Apply Unless Otherwise Specified:

V_{LC} = 0.2V; V_{HC} = V_{CC} - 0.2V

Commercial: T_A = 0°C to +70°C; V_{CC} = 5.0V ± 5%

Military: T_A = -55°C to +125°C; V_{CC} = 5.0V ± 10%

SYMBOL	PARAMETER	TEST CONDITIONS (1)	MIN.	TYP.(2)	MAX.	UNIT	
V _{IH}	Input HIGH Level	Guaranteed Logio High Level	2.0	-	-	V	
V _{IL}	Input LOW Level	Guaranteed Logio Low Level	-	-	0.8	V	
I _{IH}	Input HIGH Current (Except I/O pins)	V _{CC} = Max., V _I = V _{CC} V _I = 2.7V	-	-	5	µA	
I _{IL}	Input LOW Current (Except I/O pins)		V _I = 0.5V V _I = GND	-	-		-5(4)
I _{IH}	Input HIGH Current (I/O pins only)	V _{CC} = Max., V _I = V _{CC} V _I = 2.7V	-	-	15	µA	
I _{IL}	Input LOW Current (I/O pins only)		V _I = 0.5V V _I = GND	-	-		-15(4)
V _{IK}	Clamp Diode Voltage	V _{CC} = Min., I _N = -18mA	-	-0.7	-1.2	V	
I _{OS}	Short Circuit Current	V _{CC} = Max(3), V _O = GND	-60	-120	-	mA	
V _{OH}	Output High Voltage	V _{CC} = 3V, V _{IN} = V _{LC} or V _{HC} , I _{OH} = -32µA	V _{HC}	V _{CC}	-	V	
		V _{CC} = Min. V _{IN} = V _{IH} or V _{IL}	I _{OH} = -300µA	V _{HC}	V _{CC}		-
			I _{OH} = -12mA MIL. I _{OH} = -15mA COM'L.	2.4	4.0		-
V _{OL}	Output Low Voltage	V _{CC} = 3V, V _{IN} = V _{LC} or V _{HC} , I _{OL} = 300µA	-	GND	V _{LC}	V	
		V _{CC} = Min. V _{IN} = V _{IH} or V _{IL}	I _{OL} = 300µA	-	GND		V _{LC}
			I _{OL} = 48mA MIL. I _{OL} = 64mA COM'L.	-	0.3		0.55

NOTES:

- For conditions shown as max. or min. use appropriate value specified under Electrical Characteristics for the applicable device type.
- Typical values are at V_{CC} = 5.0V, +25°C ambient and maximum loading.
- Not more than one output should be shorted at one time. Duration of the short circuit test should not exceed one second.
- These parameters are guaranteed but not tested:

T-52-31

POWER SUPPLY CHARACTERISTICS

$V_{LO} = 0.2V; V_{HC} = V_{CC} - 0.2V$

SYMBOL	PARAMETER	TEST CONDITIONS ⁽¹⁾		MIN.	TYP. ⁽²⁾	MAX.	UNIT
I_{CC}	Quiescent Power Supply Current	$V_{CC} = \text{Max.}$ $V_{IN} \geq V_{HC}; V_{IN} \leq V_{LO}$ $f_{CP} = f_I = 0$		-	0.001	1.5	mA
ΔI_{CC}	Quiescent Power Supply Current TTL Inputs HIGH	$V_{CC} = \text{Max.}$ $V_{IN} = 3.4V^{(3)}$		-	0.5	2.0	mA
I_{CCD}	Dynamic Power Supply Current ⁽⁴⁾	$V_{CC} = \text{Max.}$ Outputs Open $\bar{G} = \text{GND}$ DIR = GND One Input Toggling 50% Duty Cycle	$V_{IN} \geq V_{HC}$ $V_{IN} \leq V_{LO}$	-	0.15	0.25	mA/MHz
I_C	Total Power Supply Current ⁽⁶⁾	$V_{CC} = \text{Max.}$ Outputs Open $f_{CP} = 10\text{MHz}$ 50% Duty Cycle $\bar{G} = \text{GND}$ DIR = GND One Bit Toggling at $f_I = 5\text{MHz}$ 50% Duty Cycle	$V_{IN} \geq V_{HC}$ $V_{IN} \leq V_{LO}$ (FCT)	-	1.5	4.0	mA
			$V_{IN} = 3.4V$ or $V_{IN} = \text{GND}$	-	2.0	6.0	
		$V_{CC} = \text{Max.}$ Outputs Open $f_{CP} = 10\text{MHz}$ 50% Duty Cycle $\bar{G} = \text{GND}$ DIR = GND Eight Bits Toggling at $f_I = 5\text{MHz}$ 50% Duty Cycle	$V_{IN} \geq V_{HC}$ $V_{IN} \leq V_{LO}$ (FCT)	-	6.75	12.75 ⁽⁵⁾	
			$V_{IN} = 3.4V$ or $V_{IN} = \text{GND}$	-	9.75	21.75 ⁽⁵⁾	

NOTES:

- For conditions shown as max. or min., use appropriate value specified under Electrical Characteristics for the applicable device type.
- Typical values are at $V_{CC} = 5.0V, +25^\circ\text{C}$ ambient and maximum loading.
- Per TTL driven Input ($V_{IN} = 3.4V$); all other inputs at V_{CC} or GND.
- This parameter is not directly testable, but is derived for use in Total Power Supply calculations.
- Values for these conditions are examples of the I_{CC} formula. These limits are guaranteed but not tested.
- $I_C = I_{\text{QUIESCENT}} + I_{\text{INPUTS}} + I_{\text{DYNAMIC}}$
 $I_C = I_{CC} + \Delta I_{CC} D_H N_T + I_{CCD} (f_{CP}/2 + f_I N_I)$
 I_{CC} = Quiescent Current
 ΔI_{CC} = Power Supply Current for a TTL High Input ($V_{IN} = 3.4V$)
 D_H = Duty Cycle for TTL Inputs High
 N_T = Number of TTL Inputs at D_H
 I_{CCD} = Dynamic Current Caused by an Input Transition Pair (HLH or LHL)
 f_{CP} = Clock Frequency for Register Devices (Zero for Non-Register Devices)
 f_I = Input Frequency
 N_I = Number of Inputs at f_I
 All currents are in millamps and all frequencies are in megahertz.

10

T-52-31

SWITCHING CHARACTERISTICS OVER OPERATING RANGE

SYMBOL	PARAMETER	CONDITIONS ⁽¹⁾	IDT54/74FCT646				IDT54/74FCT646A ⁽⁴⁾				UNIT		
			TYP. ⁽³⁾	COM'L		MIL.		TYP. ⁽³⁾	COM'L			MIL.	
				MIN. ⁽²⁾	MAX.	MIN. ⁽²⁾	MAX.		MIN. ⁽²⁾	MAX.		MIN. ⁽²⁾	MAX.
t _{PLH} t _{PHL}	Propagation Delay Bus to Bus	C _L = 50pF R _L = 500Ω	8.0	2.0	9.0	2.0	11.0	-	2.0	6.3	2.0	7.7	ns
t _{PZH} t _{PZL}	Output Enable Time Enable to Bus & DIR to A or B		9.0	2.0	14.0	2.0	15.0	-	2.0	9.8	2.0	10.5	ns
t _{PHZ} t _{PLZ}	Output Disable Time Enable to Bus & Direction to Bus		9.0	2.0	9.0	2.0	11.0	-	2.0	6.3	2.0	7.7	ns
t _{PLH} t _{PHL}	Propagation Delay Clock to Bus		8.0	2.0	9.0	2.0	10.0	-	2.0	6.3	2.0	7.0	ns
t _{PLH} t _{PHL}	Propagation Delay SBA or SAB to A or B		10.0	2.0	11.0	2.0	12.0	-	2.0	7.7	2.0	8.4	ns
t _{SU}	Set-up time HIGH or LOW Bus to Clock		3.0	4.0	-	4.5	-	-	2.0	-	2.0	-	ns
t _H	Hold time HIGH or LOW Bus to Clock		1.0	2.0	-	2.0	-	-	1.5	-	1.5	-	ns
t _{PW}	Pulse Width, HIGH or LOW		4.0	6.0	-	6.0	-	-	5.0	-	5.0	-	ns

NOTES:

1. See test circuit and waveforms.
2. Minimum limits are guaranteed but not tested on Propagation Delays.
3. Typical values are at V_{CC} = 5.0V, +25°C ambient and maximum loading.
4. These are preliminary numbers only.

SWITCHING CHARACTERISTICS OVER OPERATING RANGE

SYMBOL	PARAMETER	CONDITIONS ⁽¹⁾	IDT54/74FCT648 ⁽⁴⁾				IDT54/74FCT648A ⁽⁴⁾				UNIT		
			TYP. ⁽³⁾	COM'L		MIL.		TYP. ⁽³⁾	COM'L			MIL.	
				MIN. ⁽²⁾	MAX.	MIN. ⁽²⁾	MAX.		MIN. ⁽²⁾	MAX.		MIN. ⁽²⁾	MAX.
t _{PLH} t _{PHL}	Propagation Delay Bus to Bus	C _L = 50pF R _L = 500Ω	7.0	2.0	8.0	2.0	9.0	-	2.0	5.6	2.0	6.3	ns
t _{PZH} t _{PZL}	Output Enable Time Enable to Bus & DIR to A or B		9.0	2.0	15.0	2.0	18.0	-	2.0	10.5	2.0	12.6	ns
t _{PHZ} t _{PLZ}	Output Disable Time Enable to Bus & Direction to Bus		9.0	2.0	9.0	2.0	11.0	-	2.0	6.3	2.0	7.7	ns
t _{PLH} t _{PHL}	Propagation Delay Clock to Bus		7.0	2.0	9.0	2.0	10.0	-	2.0	6.3	2.0	7.0	ns
t _{PLH} t _{PHL}	Propagation Delay SBA or SAB to A or B		10.0	2.0	11.0	2.0	12.0	-	2.0	7.7	2.0	8.4	ns
t _{SU}	Set-up time HIGH or LOW Bus to Clock		3.0	4.0	-	4.5	-	-	2.0	-	2.0	-	ns
t _H	Hold time HIGH or LOW Bus to Clock		1.0	2.0	-	2.0	-	-	1.5	-	1.5	-	ns
t _{PW}	Pulse Width, HIGH or LOW		4.0	6.0	-	6.0	-	-	5.0	-	5.0	-	ns

NOTES:

1. See test circuit and waveforms.
2. Minimum limits are guaranteed but not tested on Propagation Delays.
3. Typical values are at V_{CC} = 5.0V, +25°C ambient and maximum loading.
4. These are preliminary numbers only.

INTEGRATED DEVICE

14E D ■ 4825771 0004208 6 ■

IDT54/74FCT646/A AND IDT54/74FCT648/A
FAST CMOS OCTAL TRANSCIEVER/REGISTER

MILITARY AND COMMERCIAL TEMPERATURE RANGES

T-52-31

ORDERING INFORMATION

IDTXXFCT Temperature Range	XXXX Device Type	XX Package	X Process/ Temperature Range		
				Blank	Commercial
				B	MIL-STD-883, Class B
				P	Plastic DIP
				D	CERDIP
				SO	Small Outline IC
				L	Leadless Chip Carrier
				E	CERPACK
				646	Non-inverting Octal Transceiver/Register
				646A	Fast Non-inverting Fast Octal Transceiver/ Register
				648	Inverting Octal Transceiver/Register
				648A	Fast Inverting Fast Octal Transceiver/Register
				54	(-55°C to +125°C)
				74	(0°C to +70°C)

10