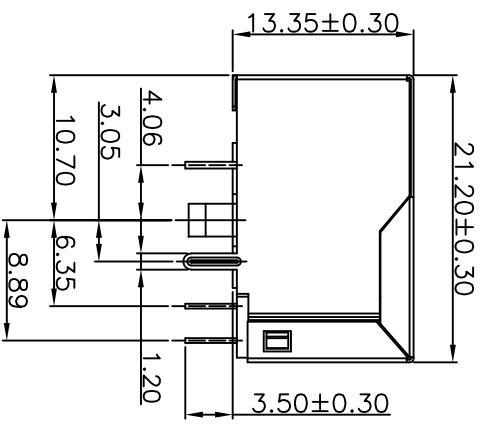
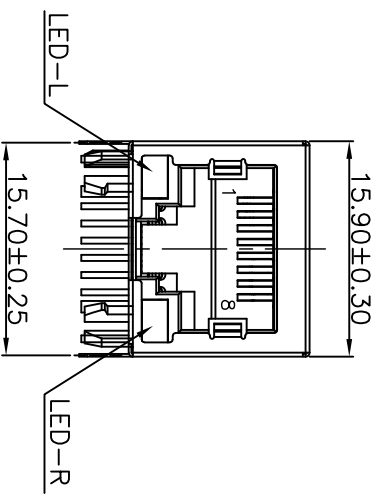


CATEGORY	DESCRIPTION	P/N #	REV.	ECN NO	DESCRIPTION	REVISED	DATE
CONNECTOR	RJ45 1*1 直通式带壳带灯	MJ1B-BX11-RPLXT099-1	A01		整理图面	Jsa	2023.09.18



MJ1B-BX11-RPLXT099-1

TABLE 1

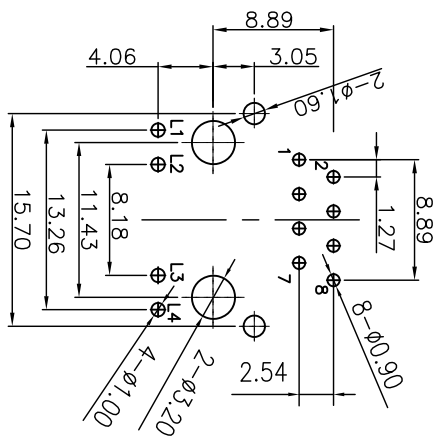
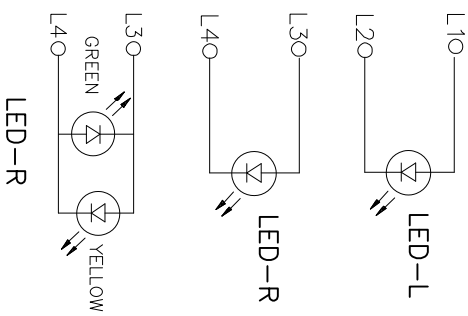
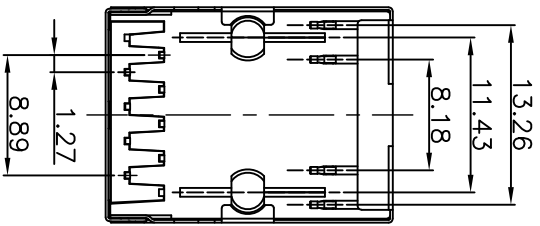
X	LED-L	LED-R
1	GREEN	YELLOW
2	YELLOW	GREEN
3	GREEN	Y/G

TABLE 2

X	Terminal Plating
0	Au 1u" Plating
1	Au 3u" Plating
2	Au 6u" Plating
3	Au 15u" Plating

SPECIFICATION

- CURRENT RATING: 1.5AMPS
- VOLTAGE RATING: 125V AC
- INSULATION RESISTANCE: 500MΩ MIN.
- WITHSTAND VOLTAGE: AC1000V RMS 50Hz or 60Hz MIN.
- CONTACT RESISTANCE:40mΩ MAX.
- DURABILITY: 750 MATING CYCLES
- OPERATING TEMPERATURE: -40~+80°



Recommend PCB Layout
(JACK Top View)
Tolerance: ±0.05mm
Recommend PCB Thickness: 1.6mm

P1 O	0.11
P2 O	0.12
P3 O	0.13
P4 O	0.14
P5 O	0.15
P6 O	0.16
P7 O	0.17
P8 O	0.18

G	LED-R	1	See Table1	Tin PALTING	
F	LED-L	1	See Table1	Tin PALTING	
E	SHELL	1	BRASS	NI PALTING	
D	SOLDER TERMINAL	8	BRASS	Tin PALTING	
C	CONTACT TERMINAL	8	PHOSPHOR BRONZE	See Table2	
B	COVER	1	PBT UL94V-0	BLACK	
A	HOUSING	1	PBT UL94V-0	BLACK	
NO.	PART NAME	Q'TY	MATERIAL	PLATING & COLOR	Remark

UNLESS OTHERWISE SPECIFIED TOLERANCES

DECIMALS:	ANGLES:
X :±0.5	X :±2°
XX :±0.3	XX :±1°
XXX :±0.2	

東莞市合陵電子有限公司
 Dongguan Heling Electronic Co.,LTD
 Connector:

SCALE:1/1 UNIT: mm
 SIZE: A3 PAGE:1 OF 1 REV:A01
 APPROVED BY: _____ CHECKED BY: _____ PREPARED BY: Jsa
 DICK: XSY

DWG.NO: _____

CUSTOMER COPY