

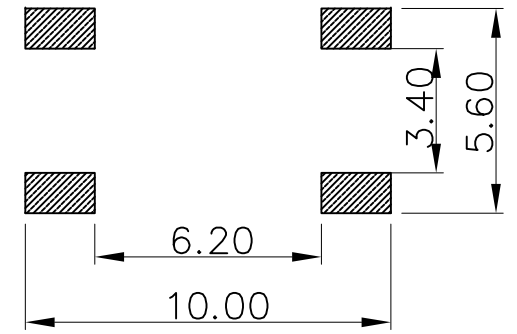
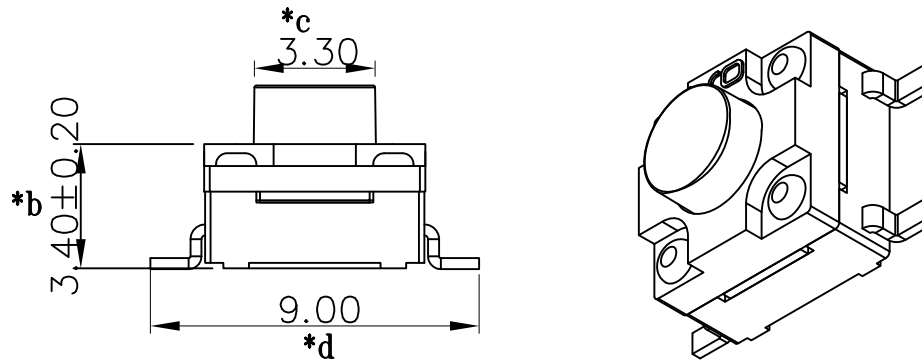
电路图

H	
4.3	4.5
5.0	5.5
6.0	6.5
7.0	7.5
8.0	8.5
9.0	9.5

SPECIFICATION

1. Rating : AC12V 50mA.
2. Contact resistance: ≤100mΩ.
3. Insulation resistance: ≥100MΩ (DC250V).
4. Withstanding voltage: 250VAC .
5. Operating Force: 160±50gf/250±80gf.
6. Travel: 0.3±0.1mm.
7. life test: 10,000 cycles.
8. Operation temperature range: -25℃~85℃.
9. Sign"* "is importance dimension.

Waterproof grade:IP67



PCB. 焊接图

					TOLERANCE UNLESS SPECIFIED								
6	TERMINAL	BRASS	2	Ag-Plated	<1.5: ±0.1mm >1.5~5.0: ±0.25mm >5.0: ±0.3mm	ANGULAR ±1°	1	NO	DATE	REVISIONS		BY	APPD
5	CASE	PPA	1	BLACK	TITLE: TACT SWITCH		UNIT : MM	ROHS COMPLIANT	DWN				
4	REED	SUS	1	Ag-Plated	MODEL: TC-06104FA-043E-R-03		SCALE: 1:1	CHK'D	APPD				
3	WATERPROOF PAD	RUBBER	1	BLACK	DONGGUANG HAOYU ELECTRONICS CO., LTD		PRO.AGL:		REV :A0				
2	COVER	PPA	1	BLACK	东莞市弘皓电子有限公司								
1	BUTTON	PPA	1	RED									
NO.	PART NAME	MATERIAL	QTY	FINISHING									