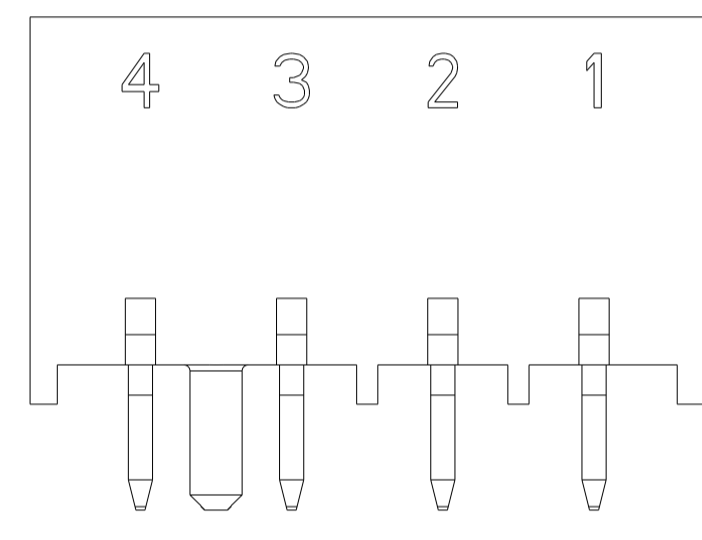
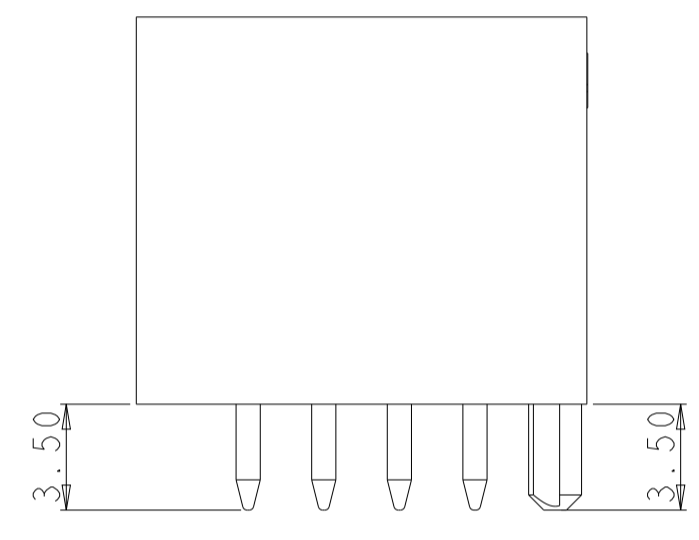
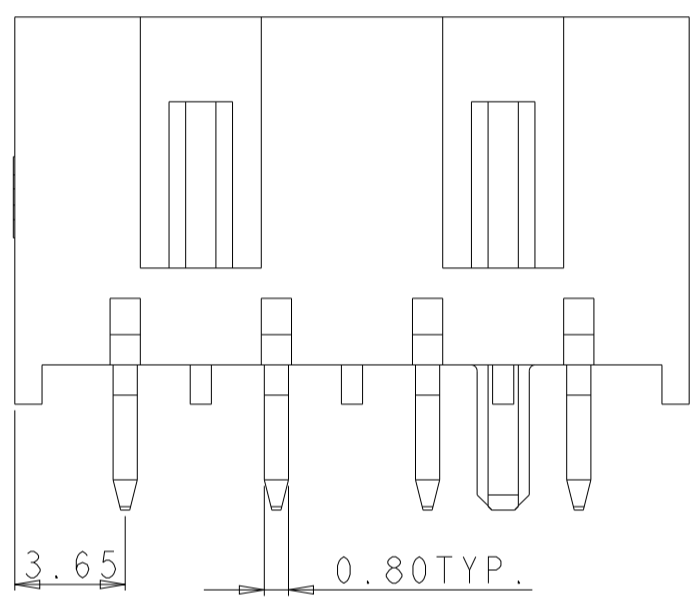
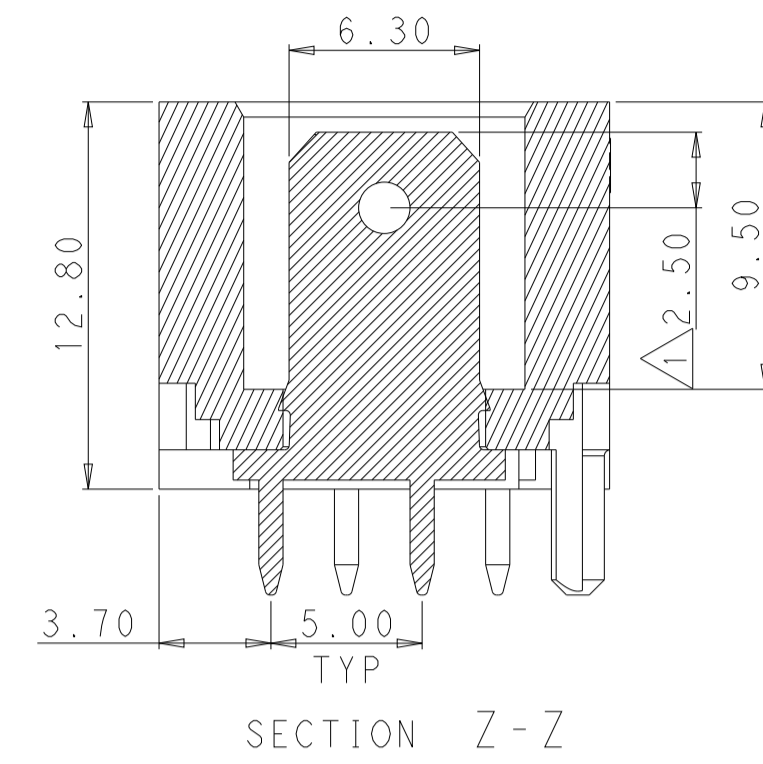
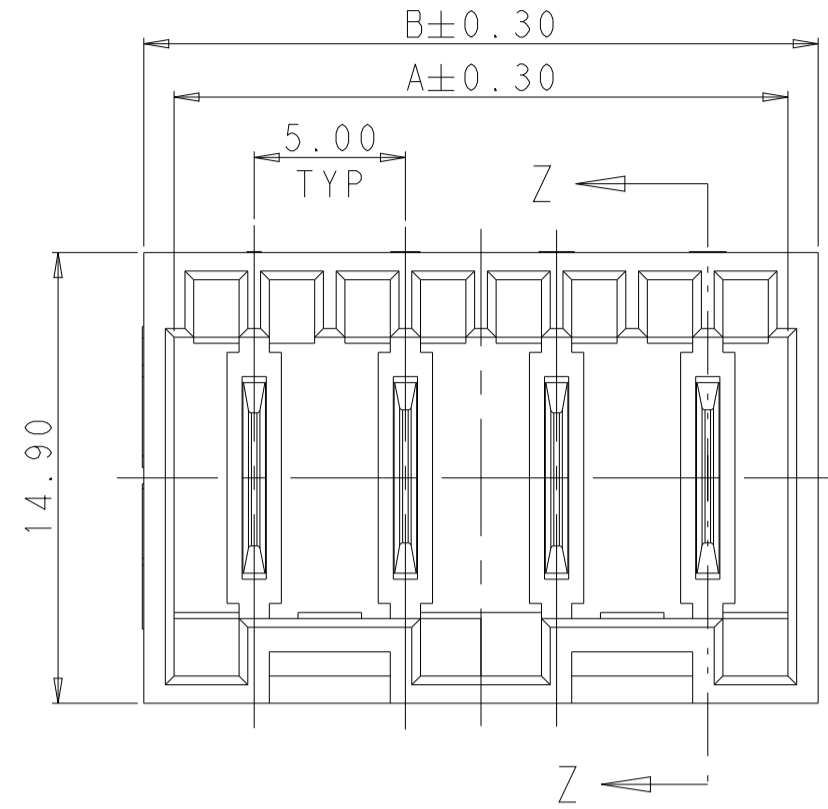
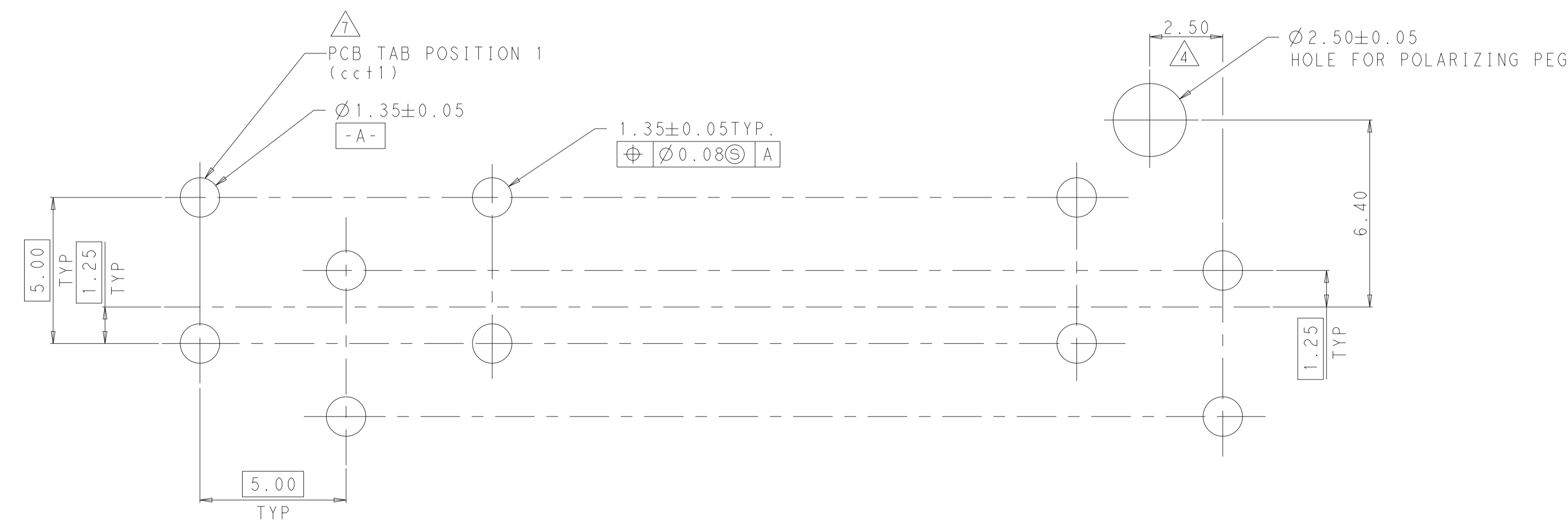
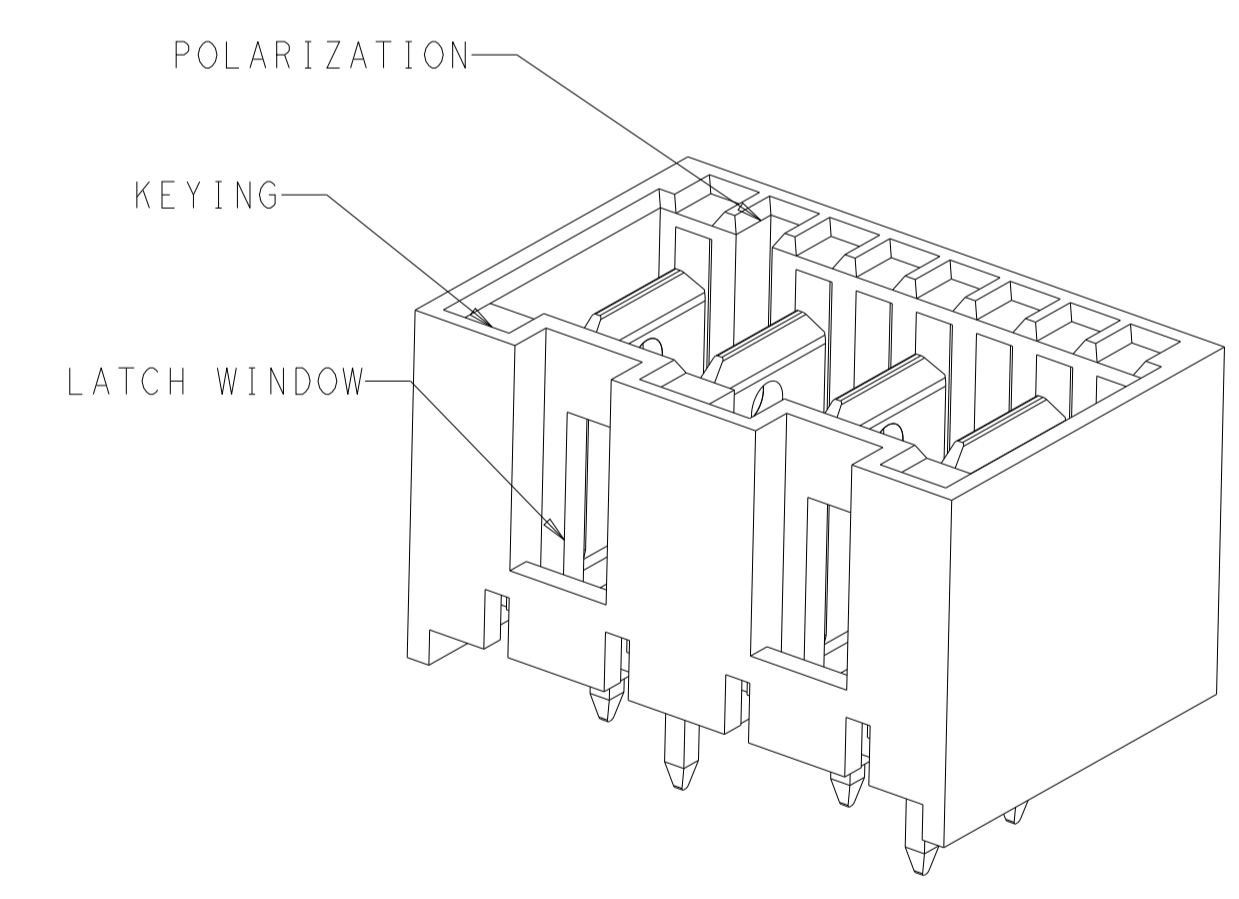


LOC		DIST		REVISIONS			
P	LTN	DESCRIPTION	DATE	DMN	APVD		
A4	ECR-16-016543		22NOV2016	WW	RR		
A5	ECR-19-009802		26JUN2019	KD	FL		
B	ECR-21-100880		17MAR2021	KD	FL		
B1	ECR-21-118862		05NOV2021	SM	FL		



1. HOUSING HAS RAST 5 COMPLIANT KEYING, LATCHING, AND POLARIZATION. TAB IS 6.3 x 0.8, HOWEVER, THE LOCATION OF THE TAB HOLE DOES NOT MEET DIN 46244.
  2. RECOMMENDED MATING CONNECTOR FAMILIES INCLUDE POSITIVE-LOCK RAST 5, STANDARD TIMER RAST 5, MULTIFITTING, MULTIFITTING MKII, AND MONO-SHAPE TAB CONNECTORS.
  3. SEE SHEET 2&3 FOR AVAILABLE CONFIGURATIONS.
  4. DIMENSION OFF OF LAST POSITION REGARDLESS OF EVEN OR ODD POSITION HEADER.
  5. MATERIAL: HOUSING, NYLON, UL 94V-0. CONTACT, BRASS, 0.8mm THICK.
  6. FINISH: CONTACTS, TIN PLATING OVER NICKEL UNDERPLATING SILVER PLATING OVER NICKEL UNDERPLATING.
  7. PCB TABS INSERTED IN A STAGGERED PATTERN BEGINNING WITH POSITION 1.
  8. THE PART NUMBERS SHOWN IN SHEET 2&3 ARE FOR NATURAL COLOR. THE PART NUMBERS FOR OTHER COLORS ARE BASED ON THE NATURAL ONE: FOR THE SAME CONFIGURATION, THE PREFIX AND POSTFIX OF THE P/N ARE THE SAME, ONLY THE BASE NUMBER IS DIFFERENT ACCORDING TO DIFFERENT COLOR. THE DETAILS SEE SHEET 4.
  9. PACKAGING: LOOSE PIECE OR TUBE. THE PART NUMBERS IN THIS DRAWING ARE WITH LOOSE PICE PACKAGING. PLEASE CONTACT TE SALES REPRESENTATIVES FOR TUBE PACKAGING REQUIREMENT.
  10. PRODUCT COMPLY WITH GLOW WIRE REQUIREMENTS FOR PARTS OF NON-METALLIC MATERIAL SUPPORTING A CURRENT-CARRYING CONNECTION DETAILED IN IEC 60335-1, SECTION 30 (GWT).
1. PRELIMINARY, NOT FOR PRODUCTION.  
 2. PART NUMBERS WITH TUBE PACKAGING.  
 3. TOOL MARK ON TERMINAL SURFACE IS ACCEPTABLE WHICH DOES NOT IMPACT FUNCTION



PCB LAYOUT-COMPONENT SIDE  
 PCB IS 1.50±0.20 THICK

42.3	40.3	8
37.3	35.3	7
32.3	30.3	6
27.3	25.3	5
22.3	20.3	4
17.3	15.3	3
12.3	10.3	2
B	A	NO. OF POS.

THIS DRAWING IS A CONTROLLED DOCUMENT.

DMN: DANIEL ZHANG 02AUG2013	CHK: DANIEL ZHANG 02AUG2013	APVD: YUHONG MAO 02AUG2013	NAME: ASSEMBLY, POSITIVE LOCK RAST 5, HEADER VERTICAL
DIMENSIONS: mm		TOLERANCES UNLESS OTHERWISE SPECIFIED:	PRODUCT SPEC: 108-106080
0 PLC ±	1 PLC ±	2 PLC ±0.25	APPLICATION SPEC:
3 PLC ±	4 PLC ±	ANGLES ±	FINISH ±
MATERIAL: NYLON	WEIGHT: -	SIZE: A1	CAGE CODE: 00779
Customer Drawing		SCALE: 8:1	SHEET 1 OF 4

4805 (3/11)

THIS DRAWING IS UNPUBLISHED. RELEASED FOR PUBLICATION 20  
 COPYRIGHT 20 BY - ALL RIGHTS RESERVED.

REVISONS		DATE	OWN	APVD
P	LTN	DESCRIPTION		
-	-	SEE SHEET 1	-	-

NATURAL	SILVER PLATED	1-2	1c, 2d	1a, 1b, 2a, 2b	2	6-2232560-2
		1-2	2d	1a, 1b	2	5-2232560-2
		1-2	-	2a, 2b	2	4-2232560-2
		1-2	1c, 2d	1a, 2b	2	3-2232560-2
		1-2	1c	2a	2	2-2232560-2
		1-2	-	1a, 1b, 2a, 2b	2	1-2232560-2
		1-2	-	-	2	2232560-2
COLOR	FINISH TAB POST	LATCH WINDOWS	KEYING	POLARIZATION	NO. OF POS.	PART NUMBER

NATURAL	SILVER PLATED	1-2, 7-8	2d, 4d, 5c, 6d, 8d	1a, 1b, 2b, 3b, 4a, 4b, 6a, 7a, 8b	8	3-2232559-8
		2-3, 7-8	2c, 3d, 7c	8b	8	2-2232559-8
		1-2, 3-4, 5-6, 7-8	3c, 6d	4a, 6b	8	1-2232559-8
		1-2, 7-8	2d, 3c, 6d, 7c	-	8	2232559-8
		1-2, 5-6	2d, 7c	2b	6	6-2232559-7
		1-2, 5-6	3c, 4d, 7c	1a, 1b, 2a, 2b, 3a, 3b, 4a, 4b, 5a, 5b, 6a, 6b, 7a, 7b	5	5-2232559-7
		1-2, 3-4, 5-6	1c, 2d, 4d, 7d	2a, 4b	7	4-2232559-7
		1-2, 5-6	3d, 7d	3a, 4a	7	3-2232559-7
		1-2, 5-6	3c, 4d, 7c	1a, 6b	7	2-2232559-7
		1-2, 4-5, 6-7	3c, 5d, 6c, 7d	1a, 2a, 4a, 4b, 5b, 6a, 6b, 7b	7	1-2232559-7
		1-2, 6-7	3d, 7d	5b	7	2232559-7
		4-5	1c, 1d, 2c, 3d, 5d, 6c, 6d	1b, 2a, 2b, 3a, 3b, 6a	6	8-2232559-6
		1-2, 3-4, 5-6	1c, 3c, 6d	1b, 2a, 3a, 4b, 5a, 5b, 6b	6	7-2232559-6
		1-2, 3-4, 5-6	1c, 5c, 6d	1a, 2b, 4a, 5b, 6b	6	6-2232559-6
		1-2, 3-4, 5-6	2d, 3c, 4d, 5c	1a, 2b, 4a, 5b, 6b	6	5-2232559-6
		1-2, 5-6	2d, 4c, 6d	1b, 2a, 2b, 3a, 6a, 6b	6	4-2232559-6
		1-2, 4-5	1c, 5d, 6c	1a, 3b, 4b	6	3-2232559-6
		2-3, 5-6	1c, 6d	1b, 2a, 3a, 4b, 5a, 5b, 6b	6	2-2232559-6
		1-2, 5-6	4d	2b, 6b	6	1-2232559-6
		1-2, 4-5	3c, 6d	1b	6	2232559-6
		1-2, 4-5	3d	3b	5	8-2232559-5
		1-2, 4-5	3d	1a, 4a	5	7-2232559-5
		1-2, 4-5	1c, 2d, 3c, 5d	1a, 5b	5	6-2232559-5
		1-2, 4-5	1c, 2d, 4c	2a, 2b, 4a, 5b	5	5-2232559-5
		1-2, 3-4	1c, 2d, 4d	2a, 4b	5	4-2232559-5
		1-2, 3-4	1c, 2d, 3c, 5d	1a, 5b	5	3-2232559-5
		2-3	3d, 4c	1a, 5b	5	2-2232559-5
		1-2, 3-4	2d, 5d	2b	5	1-2232559-5
		1-2, 4-5	2d	2b	5	2232559-5
		1-2, 3-4	2d, 3c, 4d	1b, 2a, 4b	4	7-2232559-4
		1-2, 3-4	2d, 3c, 4d	1a, 2a, 3b, 4a	4	6-2232559-4
		1-2, 3-4	2d, 3c	1b, 2a, 2b, 3b, 4b	4	5-2232559-4
		1-2, 3-4	2d	2a, 4b	4	4-2232559-4
		1-2, 3-4	4d	1a, 3a	4	3-2232559-4
		1-2, 3-4	4d	1a, 4b	4	2-2232559-4
		1-2, 3-4	1c	1a, 4b	4	1-2232559-4
		1-2, 3-4	3c, 4d	1b	4	2232559-4
		1-2	1c, 3c	3b	3	7-2232559-3
		1-2	1c, 2d	1b, 2b	3	6-2232559-3
		1-2	1c	1a, 3a	3	5-2232559-3
		2-3	1c, 3d	3b	3	4-2232559-3
		2-3	1d, 3d	3b	3	3-2232559-3
		1-2	3c	1a	3	2-2232559-3
		2-3	1d, 2c	2b, 3b	3	1-2232559-3
		1-2	1c, 2d	1b	3	2232559-3
		1-2	2d	1b	2	9-2232559-2
		1-2	-	1a, 1b, 2a	2	8-2232559-2
		1-2	1c	1a, 2a	2	7-2232559-2
		1-2	1c, 2d	2b	2	6-2232559-2
		1-2	1c	1b, 2b	2	5-2232559-2
		1-2	2d	1b, 2a, 2b	2	4-2232559-2
		1-2	2d	1a, 2b	2	3-2232559-2
		1-2	1c, 2d	2a	2	2-2232559-2
		1-2	1c	1a, 2b	2	1-2232559-2
		1-2	1c, 2d	1b, 2a	2	2232559-2
COLOR	FINISH TAB POST	LATCH WINDOWS	KEYING	POLARIZATION	NO. OF POS.	PART NUMBER

NATURAL	TIN PLATED	1-2	1c, 2d	1a, 1b, 2a, 2b	2	6-2232557-2
		1-2	2d	1a, 1b	2	5-2232557-2
		1-2	-	2a, 2b	2	4-2232557-2
		1-2	1c, 2d	1a, 2b	2	3-2232557-2
		1-2	1c	2a	2	2-2232557-2
		1-2	-	1a, 1b, 2a, 2b	2	1-2232557-2
		1-2	-	-	2	2232557-2
COLOR	FINISH TAB POST	LATCH WINDOWS	KEYING	POLARIZATION	NO. OF POS.	PART NUMBER
		1-2, 7-8	2d, 4d, 5c, 6d, 8d	1a, 1b, 2b, 3b, 4a, 4b, 6a, 7a, 8b	8	3-2232532-8
		2-3, 7-8	2c, 3d, 7c	8b	8	2-2232532-8
		1-2, 3-4, 5-6, 7-8	3c, 6d	4a, 6b	8	1-2232532-8
		1-2, 7-8	2d, 3c, 6d, 7c	-	8	2232532-8
		1-2, 5-6	2d, 7c	2b	6	6-2232532-7
		1-2, 5-6	3c, 4d, 7c	1a, 1b, 2a, 2b, 3a, 3b, 4a, 4b, 5a, 5b, 6a, 6b, 7a, 7b	5	5-2232532-7
		1-2, 3-4, 5-6	1c, 2d, 4d, 7d	2a, 4b	7	4-2232532-7
		1-2, 5-6	3d, 7d	3a, 4a	7	3-2232532-7
		1-2, 5-6	3c, 4d, 7c	1a, 6b	7	2-2232532-7
		1-2, 4-5, 6-7	3c, 5d, 6c, 7d	1a, 2a, 4a, 4b, 5b, 6a, 6b, 7b	7	1-2232532-7
		1-2, 6-7	3d, 7d	5b	7	2232532-7
		4-5	1c, 1d, 2c, 3d, 5d, 6c, 6d	1b, 2a, 2b, 3a, 3b, 6a	6	8-2232532-6
		1-2, 3-4, 5-6	1c, 3c, 6d	1b, 2a, 3a, 4b, 5a, 5b, 6b	6	7-2232532-6
		1-2, 3-4, 5-6	1c, 5c, 6d	1a, 2b, 4a, 5b, 6b	6	6-2232532-6
		1-2, 3-4, 5-6	2d, 3c, 4d, 5c	1a, 2b, 4a, 5b, 6b	6	5-2232532-6
		1-2, 5-6	2d, 4c, 6d	1b, 2a, 2b, 3a, 6a, 6b	6	4-2232532-6
		1-2, 4-5	1c, 5d, 6c	1a, 3b, 4b	6	3-2232532-6
		2-3, 5-6	1c, 6d	1b, 2a, 3a, 4b, 5a, 5b, 6b	6	2-2232532-6
		1-2, 5-6	4d	2b, 6b	6	1-2232532-6
		1-2, 4-5	3c, 6d	1b	6	2232532-6
		1-2, 4-5	3d	3b	5	8-2232532-5
		1-2, 4-5	3d	1a, 4a	5	7-2232532-5
		1-2, 4-5	1c, 2d, 3c, 5d	1a, 5b	5	6-2232532-5
		1-2, 4-5	1c, 2d, 4c	2a, 2b, 4a, 5b	5	5-2232532-5
		1-2, 3-4	1c, 2d, 4d	2a, 4b	5	4-2232532-5
		1-2, 3-4	1c, 2d, 3c, 5d	1a, 5b	5	3-2232532-5
		2-3	3d, 4c	1a, 5b	5	2-2232532-5
		1-2, 3-4	2d, 5d	2b	5	1-2232532-5
		1-2, 3-4	2d	2b	5	2232532-5
		1-2, 3-4	3c, 4d	1b	4	8-2232532-4
		1-2, 3-4	2d, 3c, 4d	1b, 2a, 4b	4	7-2232532-4
		1-2, 3-4	2d, 3c, 4d	1a, 2a, 3b, 4a	4	6-2232532-4
		1-2, 3-4	2d, 3c	1b, 2a, 2b, 3b, 4b	4	5-2232532-4
		1-2, 3-4	2d	2a, 4b	4	4-2232532-4
		1-2, 3-4	4d	1a, 3a	4	3-2232532-4
		1-2, 3-4	4d	1a, 4b	4	2-2232532-4
		1-2, 3-4	1c	1a, 4b	4	1-2232532-4
		1-2, 3-4	3c, 4d	1b	4	2232532-4
		2-3	1c, 3d	3b	3	9-2232532-3
		1-2	1c, 2d	1b	3	8-2232532-3
		1-2	1c, 3c	3b	3	7-2232532-3
		1-2	1c, 2d	1b, 2b	3	6-2232532-3
		1-2	1c	1a, 3a	3	5-2232532-3
		2-3	1c, 3d	3b	3	4-2232532-3
		2-3	1d, 3d	3b	3	3-2232532-3
		1-2	3c	1a	3	2-2232532-3
		2-3	1d, 2c	2b, 3b	3	1-2232532-3
		1-2	1c, 2d	1b	3	2232532-3
		1-2	2d	1b	2	9-2232532-2
		1-2	-	1a, 1b, 2a	2	8-2232532-2
		1-2	1c	1a, 2a	2	7-2232532-2
		1-2	1c, 2d	2b	2	6-2232532-2
		1-2	1c	1b, 2b	2	5-2232532-2
		1-2	2d	1b, 2a, 2b	2	4-2232532-2
		1-2	2d	1a, 2b	2	3-2232532-2
		1-2	1c, 2d	2a	2	2-2232532-2
		1-2	1c	1a, 2b	2	1-2232532-2
		1-2	1c, 2d	1b, 2a	2	2232532-2
COLOR	FINISH TAB POST	LATCH WINDOWS	KEYING	POLARIZATION	NO. OF POS.	PART NUMBER

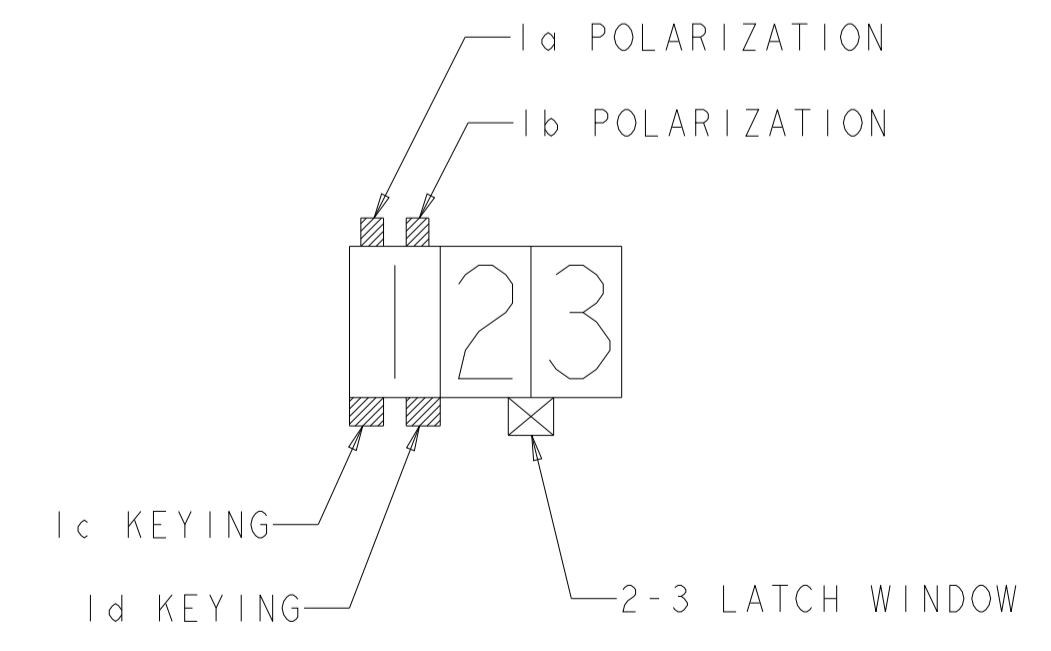
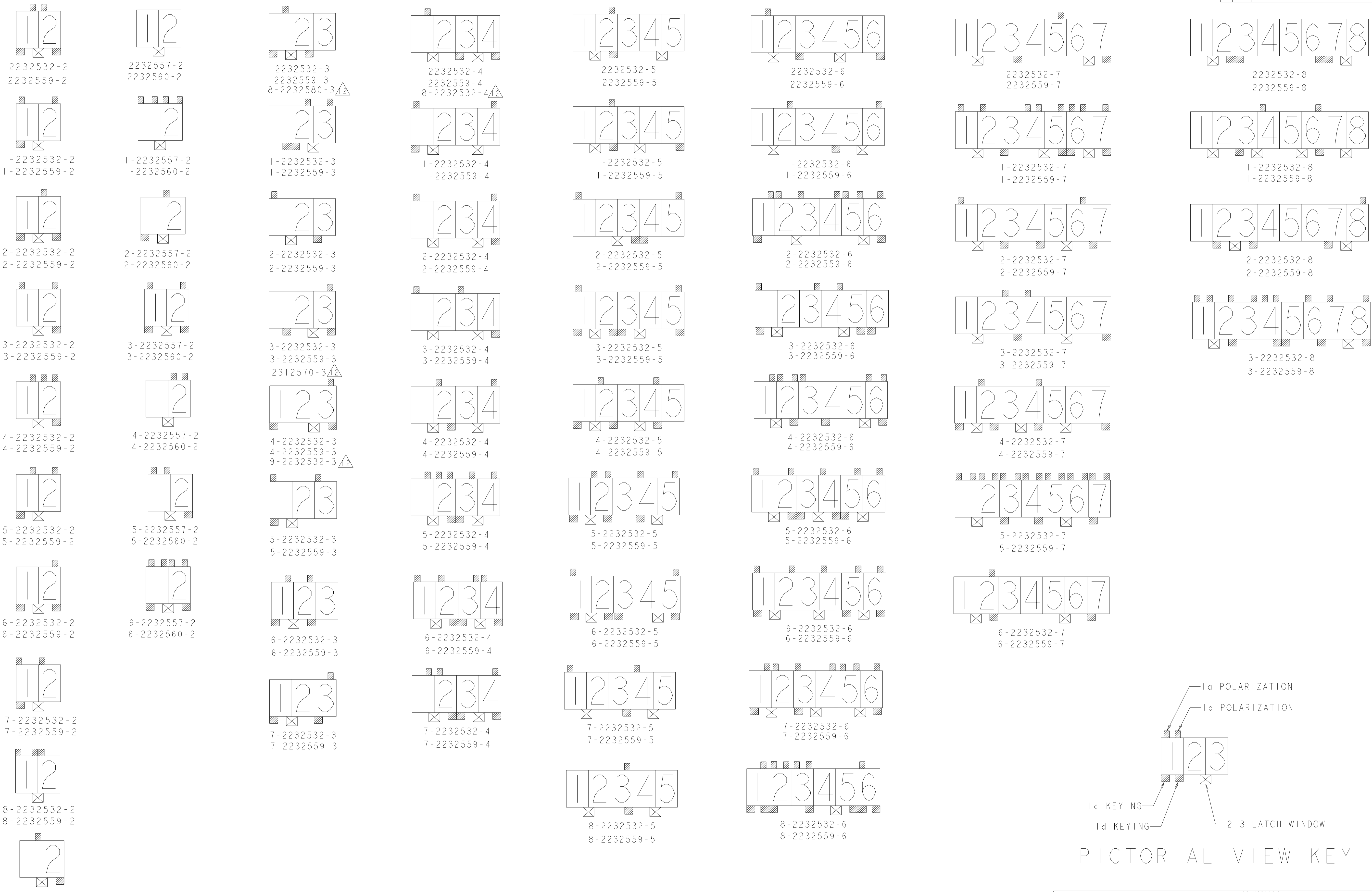
THIS DRAWING IS A CONTROLLED DOCUMENT. **DANIEL ZHANG** 02AUG2013  
 CHK **DANIEL ZHANG** 02AUG2013  
 APVD **YUHONG MAO** 02AUG2013

**STE** TE Connectivity

ASSEMBLY, POSITIVE LOCK  
 RAST 5, HEADER  
 VERTICAL

SIZE: A1 00779 C=2232532  
 SCALE: 8:1 SHEET 2 OF 4 REV B1

LOC	DIST	REV	DATE	BY	APPR
-	-	-	-	-	-
SEE SHEET 1					



PICTORIAL VIEW KEY

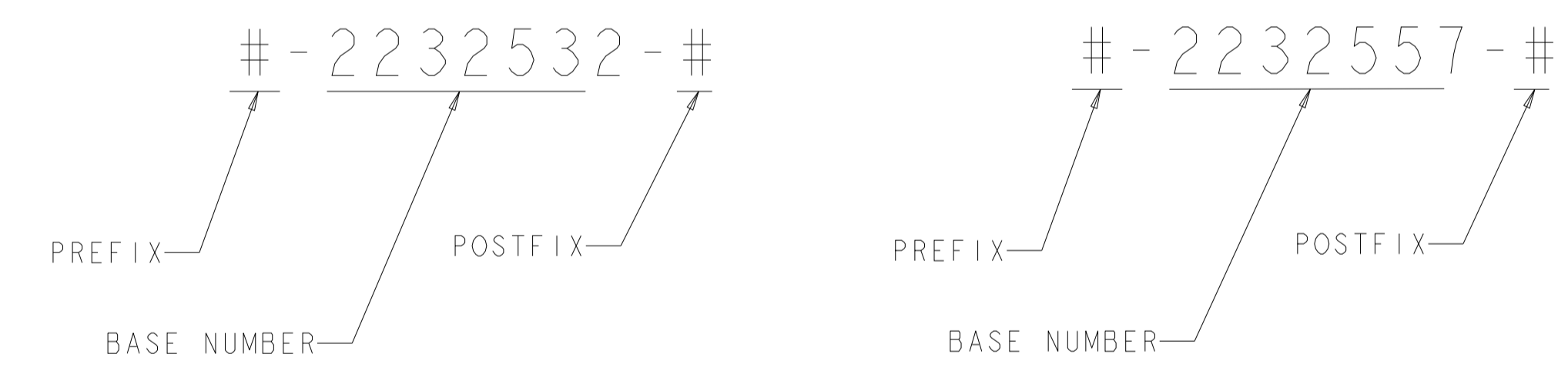
THIS DRAWING IS A CONTROLLED DOCUMENT.		OWN DANIEL ZHANG 02AUG2013	TE Connectivity
DIMENSIONS: mm		CHK DANIEL ZHANG 02AUG2013	
TOLERANCES UNLESS OTHERWISE SPECIFIED:		APVD YUHONG MAO 02AUG2013	NAME ASSEMBLY, POSITIVE LOCK RAST 5, HEADER VERTICAL
0 PLC ± 1 PLC ± 2 PLC ± 3 PLC ± 4 PLC ± ANGLES ± FINISH ±		PRODUCT SPEC	SIZE CAGE CODE DRAWING NO
MATERIAL		APPLICATION SPEC	A100779C=2232532
		WEIGHT	RESTRICTED TO
		Customer Drawing	SCALE 8:1 SHEET 3 OF 4 REV B1

LOC		DIST		REVISIONS			
P	LTN	DESCRIPTION	DATE	DMN	APVD		
-	-	SEE SHEET 1	-	-	-		

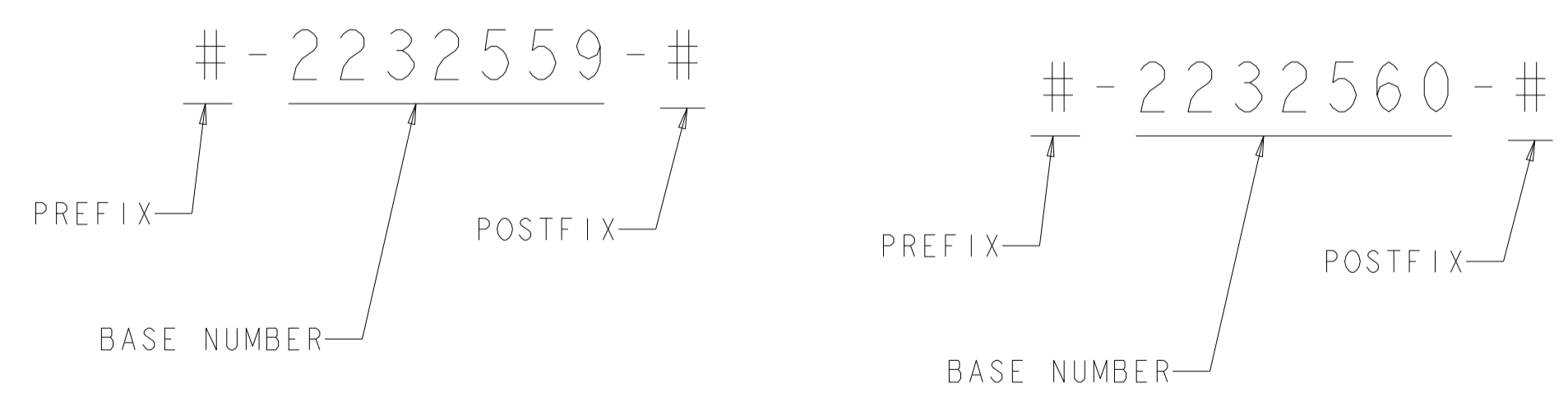
NOTES:  
 1. FOR TAB HEADER COLOR CHOICE, THERE ARE EIGHT COLORS AVAILABLE. BESIDES THE NATURAL COLOR, THERE ARE OTHER SEVEN COLORS. INCLUDE: YELLOW, BLUE, GREY, PURPLE, RED, GREEN, BLACK. THE P/N OF THE COLOR TAB HEADER ARE BASED ON THE NATURAL TAB HEADER, THE PREFIX AND POSTFIX ARE THE SAME.  
 2. MORE INFORMATION SEE COMMENTS IN RIGHT COLUMN OF BELOW CHART.

COLOR	PART NUMBER OF THE HOUSING		PART NUMBER OF TAB HEADER				COMMENTS
			WITH TIN PLATED CONTACT		WITH SILVER PLATED CONTACT		
NATURAL	*-1971849-*	*-1971893-*	#-2232532-#	#-2232557-#	#-2232559-#	#-2232560-#	THE DETAILS OF CONFIGURATION SEE SHEET 5&6.
RED	*-1971942-*	*-1971944-*	#-2232562-#	#-2232563-#	#-2232565-#	#-2232566-#	IF THE PREFIX AND POSTFIX NUMBERS OF DIFFERENT COLOR HEADER ARE SAME AS THE ONES OF THE NATURAL TAB HEADER AND THEY ARE IN SAME COLUMN, SO THEY SHOULD HAVE THE SAME CONFIGURATION: SAME KEYING, POLARIZATION AND LATCH WINDOW.
BLUE	*-1971950-*	*-1971952-*	#-2232568-#	#-2232569-#	#-2232571-#	#-2232572-#	
YELLOW	*-2232012-*	*-2232014-*	#-2232574-#	#-2232575-#	#-2232577-#	#-2232578-#	FOR DIFFERENT BASE NUMBER OF SAME COLOR HEADER, ONLY DIFFERENCE IS CONFIGURATION (KEYING, POLARIZATION AND LATCH WINDOW).
BLACK	*-2232004-*	*-2232006-*	#-2232580-#	#-2232581-#	#-2232583-#	#-2232584-#	
GREY	*-2232020-*	*-2232022-*	#-2232586-#	#-2232587-#	#-2232589-#	#-2232590-#	THE RELATED HOUSING PART NUMBERS OF DIFFERENT COLOR TAB HEADER ARE ALSO BASED ON NATURAL HOUSING, ONLY THE BASE NUMBER IS DIFFERENT, THE DETAILS SEE BOM IN SHEET 2, 3&4.
GREEN	*-1971958-*	*-1971960-*	#-2232592-#	#-2232593-#	#-2232595-#	#-2232596-#	
PURPLE	*-2232028-*	*-2232030-*	#-2232598-#	#-2232599-#	#-2232601-#	#-2232602-#	THE "*" AND "#" CAN BE THE NUMBER FROM 0 TO 9.
WHITE	*-2232293-*	*-2232295-*	#-2232604-#	#-2232605-#	#-2232607-#	#-2232608-#	

\*\*PART NUMBERS OF NATURAL COLOR TAB HEADER WITH TIN PLATED:



\*\*PART NUMBERS OF NATURAL COLOR TAB HEADER WITH SILVER PLATED:



THIS DRAWING IS A CONTROLLED DOCUMENT.		DMN: DANIEL ZHANG 02AUG2013	
DIMENSIONS: mm		CHK: DANIEL ZHANG 02AUG2013	
		TOLERANCES UNLESS OTHERWISE SPECIFIED:	NAME: ASSEMBLY, POSITIVE LOCK RAST 5, HEADER VERTICAL
MATERIAL: -		APVD: YUHONG MAO 02AUG2013	PRODUCT SPEC: -
WEIGHT: -		APPLICATION SPEC: -	RESTRICTED TO: -
SCALE: 8:1		SIZE: A1	CAGE CODE: 00779
SHEET: 4 OF 4		DRAWING NO: C=2232532	REV: B1
Customer Drawing			