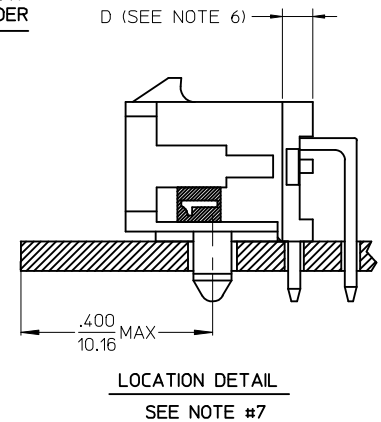


| CKTS | A | B | C |
|------|----------------|----------------|----------------|
| 02 | .262 6.65 | NA | NA |
| 04 | .380 9.65 | .118 3.00 | NA |
| 06 | .498 12.65 | .236 6.00 | NA |
| 08 | .616 15.65 | .354 9.00 | .185 4.70 |
| 10 | .734 18.65 | .472 12.00 | .303 7.70 |
| 12 | .852 21.65 | .591 15.00 | .421 10.70 |
| 14 | .970 24.65 | .709 18.00 | .539 13.70 |
| 16 | 1.088 27.65 | .827 21.00 | .657 16.70 |
| 18 | 1.206 30.65 | .945 24.00 | .776 19.70 |
| 20 | 1.325 33.65 | 1.063 27.00 | .894 22.70 |
| 22 | 1.443 36.65 | 1.181 30.00 | 1.012 25.70 |
| 24 | 1.561 39.65 | 1.299 33.00 | 1.130 28.70 |

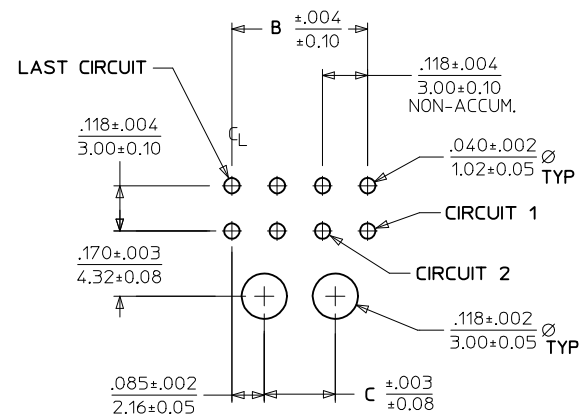
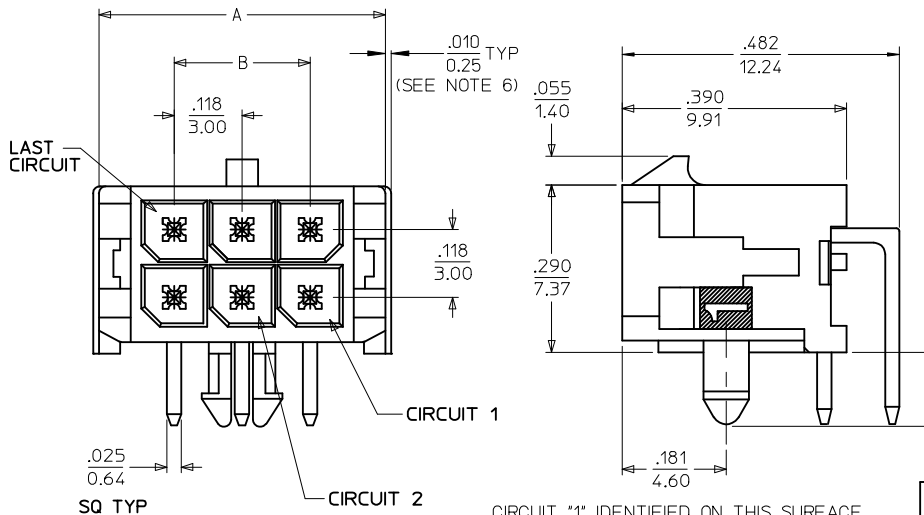
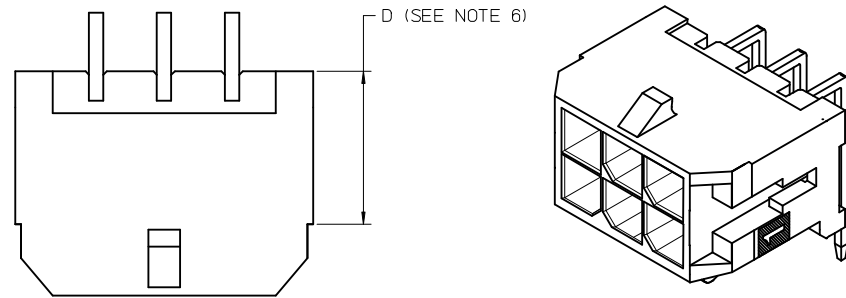
NOTES:

- HOUSING MATERIAL: GLASS FILLED LIQUID CRYSTAL POLYMER, UL94V-0. COLOR: BLACK
TERMINAL MATERIAL: BRASS ALLOY
- FINISH: A = .000060/(0.00152) MIN. REFLOWED MATTE TIN OVER
.000050/(0.00127) MIN. NICKEL PLATE.
(FINISH IS BRIGHT IN APPEARANCE. THICKNESS AS APPLIED PRIOR TO REFLOW)
B = .00015/(0.00038) MIN. SELECT GOLD IN CONTACT AREA;
.000100/(0.00254) MIN. SELECT MATTE TIN ON SOLDER TAILS,
BOTH OVER .000050/(0.00127) MIN. NICKEL PLATE.
C = .000030/(0.00076) MIN. SELECT GOLD IN CONTACT AREA;
.000100/(0.00254) MIN. SELECT MATTE TIN ON SOLDER TAILS,
BOTH OVER .000050/(0.00127) MIN. NICKEL PLATE.
D = .000100/(0.00254) MIN. MATTE TIN OVER
.000050/(0.00127) MIN. NICKEL OVERALL
- PRODUCT SPECIFICATION: PS-43045
- TRAY PACKAGED : SEE MOLEX DRAWING PK-70873-0313
- MATES WITH MICRO FIT (3.0) RECEPTACLE SERIES 43025
- CIRCUIT SIZES 2-6: 'D' IS .265/6.74 FOR .010/0.25 STEP.
CIRCUIT SIZES 8-24: 'D' IS .063/1.60 FOR .010/0.25 STEP.
- TO AVOID INTERFERENCE BETWEEN RECEPTACLE AND PCB, HEADER MUST BE PLACED WITHIN .400/(10.16) MAX. FROM EDGE OF PCB, AS SHOWN IN LOCATION DETAIL.
- THIS PART CONFORMS TO CLASS B REQUIREMENTS OF PRODUCT SPECIFICATION PS-45499-002.

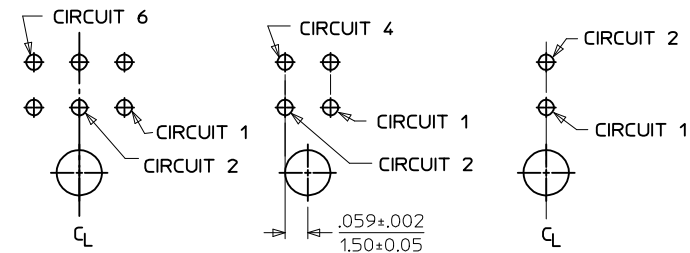
| | FINISH A | FINISH B | FINISH C | FINISH D |
|------|--------------|--------------|--------------|--------------|
| CKTS | MATERIAL NO: | MATERIAL NO: | MATERIAL NO: | MATERIAL NO: |
| 02 | 43045-0200 | 43045-0201 | 43045-0202 | 43045-0310 |
| 04 | 43045-0400 | 43045-0401 | 43045-0402 | 43045-0510 |
| 06 | 43045-0600 | 43045-0601 | 43045-0602 | 43045-0710 |
| 08 | 43045-0800 | 43045-0801 | 43045-0802 | 43045-0910 |
| 10 | 43045-1000 | 43045-1001 | 43045-1002 | 43045-1110 |
| 12 | 43045-1200 | 43045-1201 | 43045-1202 | 43045-1310 |
| 14 | 43045-1400 | 43045-1401 | 43045-1402 | 43045-1510 |
| 16 | 43045-1600 | 43045-1601 | 43045-1602 | 43045-1710 |
| 18 | 43045-1800 | 43045-1801 | 43045-1802 | 43045-1910 |
| 20 | 43045-2000 | 43045-2001 | 43045-2002 | 43045-2110 |
| 22 | 43045-2200 | 43045-2201 | 43045-2202 | 43045-2310 |
| 24 | 43045-2400 | 43045-2401 | 43045-2402 | 43045-2510 |



| | | | | | | |
|--------------------------------------------------------------------------------------------------------------------|--------------------------------------|-------------------------------------------------------------------------------------------------------------------------------|------------------------------------------------------------------------------------------------------------------------|----------------------------------------------------------------------------|---------------------------|------------------------------|
| FINISH A & D EC NO: UCP2016-4586 DRWIN:JDOFX 2015/12/10 CHKD:SSONSEK 2015/12/10 APPR:FSMITH 2016/08/23 | QUALITY SYMBOLS ▽=0 ▽=0 ▽=0 | GENERAL TOLERANCES (UNLESS SPECIFIED) | DIMENSION STYLE IN/MM | SCALE --- | DESIGN UNITS METRIC | THIRD ANGLE PROJECTION |
| | | 4 PLACES ± --- ± --- 3 PLACES ± --- ± .010 2 PLACES ± 0.25 ± .014 1 PLACE ± 0.36 ± --- 0 PLACE ± --- ± --- | DRAWN BY SAMIEC CHECKED BY MUELLER APPROVED BY FSMITH DATE 2000/03/15 2000/03/15 2016/08/23 | TITLE MICRO-FIT (3.0) DUAL ROW RIGHT ANGLE THRU HOLE HEADER ASS'Y | MATERIAL NO. SEE CHART | DOCUMENT NO. SD-43045-001 |
| DRAFT WHERE APPLICABLE MUST REMAIN WITHIN DIMENSIONS | | THIS DRAWING CONTAINS INFORMATION THAT IS PROPRIETARY TO MOLEX INCORPORATED AND SHOULD NOT BE USED WITHOUT WRITTEN PERMISSION | | | | |



PCB LAYOUT: COMPONENT SIDE
RECOMMEND PCB THICKNESS: .062/1.57



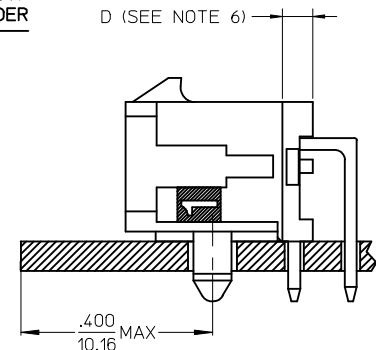
PCB LAYOUT: 6 CKT HEADER PCB LAYOUT: 4 CKT HEADER PCB LAYOUT: 2 CKT HEADER

| CKTS | A | B | C |
|------|----------------|----------------|----------------|
| 02 | .262 6.65 | NA | NA |
| 04 | .380 9.65 | .118 3.00 | NA |
| 06 | .498 12.65 | .236 6.00 | NA |
| 08 | .616 15.65 | .354 9.00 | .185 4.70 |
| 10 | .734 18.65 | .472 12.00 | .303 7.70 |
| 12 | .852 21.65 | .591 15.00 | .421 10.70 |
| 14 | .970 24.65 | .709 18.00 | .539 13.70 |
| 16 | 1.088 27.65 | .827 21.00 | .657 16.70 |
| 18 | 1.206 30.65 | .945 24.00 | .776 19.70 |
| 20 | 1.325 33.65 | 1.063 27.00 | .894 22.70 |
| 22 | 1.443 36.65 | 1.181 30.00 | 1.012 25.70 |
| 24 | 1.561 39.65 | 1.299 33.00 | 1.130 28.70 |

NOTES:

- HOUSING MATERIAL: GLASS FILLED LIQUID CRYSTAL POLYMER, UL94V-0, COLOR: BLACK
TERMINAL MATERIAL: BRASS ALLOY
- FINISH: A = .000060/(0.00152) MIN. REFLOWED MATTE TIN OVER
.000050/(0.00127) MIN. NICKEL PLATE.
(FINISH IS BRIGHT IN APPEARANCE. THICKNESS AS APPLIED PRIOR TO REFLOW)
B = .00015/(0.00038) MIN. SELECT GOLD IN CONTACT AREA;
.000100/(0.00254) MIN. SELECT MATTE TIN ON SOLDER TAILS,
BOTH OVER .000050/(0.00127) MIN. NICKEL PLATE.
C = .000030/(0.00076) MIN. SELECT GOLD IN CONTACT AREA;
.000100/(0.00254) MIN. SELECT MATTE TIN ON SOLDER TAILS;
BOTH OVER .000050/(0.00127) MIN. NICKEL PLATE.
D = .000100/(0.00254) MIN. MATTE TIN OVER
.000050/(0.00127) MIN. NICKEL OVERALL
- PRODUCT SPECIFICATION: PS-43045
- TRAY PACKAGED : SEE MOLEX DRAWING PK-70873-0313
- MATES WITH MICRO FIT (3.0) RECEPTACLE SERIES 43025
- CIRCUIT SIZES 2-6: 'D' IS .265/6.74 FOR .010/0.25 STEP.
CIRCUIT SIZES 8-24: 'D' IS .063/1.60 FOR .010/0.25 STEP.
- TO AVOID INTERFERENCE BETWEEN RECEPTACLE AND PCB, HEADER MUST BE PLACED WITHIN .400/(10.16) MAX. FROM EDGE OF PCB, AS SHOWN IN LOCATION DETAIL.
- THIS PART CONFORMS TO CLASS B REQUIREMENTS OF PRODUCT SPECIFICATION PS-45499-002.

| | FINISH A | FINISH B | FINISH C | FINISH D |
|------|--------------|--------------|--------------|--------------|
| CKTS | MATERIAL NO: | MATERIAL NO: | MATERIAL NO: | MATERIAL NO: |
| 02 | 43045-0200 | 43045-0201 | 43045-0202 | 43045-0310 |
| 04 | 43045-0400 | 43045-0401 | 43045-0402 | 43045-0510 |
| 06 | 43045-0600 | 43045-0601 | 43045-0602 | 43045-0710 |
| 08 | 43045-0800 | 43045-0801 | 43045-0802 | 43045-0910 |
| 10 | 43045-1000 | 43045-1001 | 43045-1002 | 43045-1110 |
| 12 | 43045-1200 | 43045-1201 | 43045-1202 | 43045-1310 |
| 14 | 43045-1400 | 43045-1401 | 43045-1402 | 43045-1510 |
| 16 | 43045-1600 | 43045-1601 | 43045-1602 | 43045-1710 |
| 18 | 43045-1800 | 43045-1801 | 43045-1802 | 43045-1910 |
| 20 | 43045-2000 | 43045-2001 | 43045-2002 | 43045-2110 |
| 22 | 43045-2200 | 43045-2201 | 43045-2202 | 43045-2310 |
| 24 | 43045-2400 | 43045-2401 | 43045-2402 | 43045-2510 |



LOCATION DETAIL
SEE NOTE #7

| FINISH A & D EC NO: UCP2016-4586 DRWIN:JDOFX 2015/12/10 CHKD:SSONSEK 2015/12/10 APPR:FSMITH 2016/08/23 (REV) | QUALITY SYMBOLS ▽=0 ▽=0 ▽=0 | GENERAL TOLERANCES (UNLESS SPECIFIED) <table border="1"> <tr> <th></th> <th>mm</th> <th>INCH</th> </tr> <tr> <td>4 PLACES</td> <td>± .10</td> <td>± .004</td> </tr> <tr> <td>3 PLACES</td> <td>± .15</td> <td>± .006</td> </tr> <tr> <td>2 PLACES</td> <td>± .25</td> <td>± .010</td> </tr> <tr> <td>1 PLACE</td> <td>± .36</td> <td>± .014</td> </tr> <tr> <td>0 PLACE</td> <td>± .50</td> <td>± .020</td> </tr> </table> | | mm | INCH | 4 PLACES | ± .10 | ± .004 | 3 PLACES | ± .15 | ± .006 | 2 PLACES | ± .25 | ± .010 | 1 PLACE | ± .36 | ± .014 | 0 PLACE | ± .50 | ± .020 | DIMENSION STYLE IN/MM | SCALE --- | DESIGN UNITS METRIC | THIRD ANGLE PROJECTION |
|----------------------------------------------------------------------------------------------------------------------------------------|--------------------------------------|-------------------------------------------------------------------------------------------------------------------------------------------------------------------------------------------------------------------------------------------------------------------------------------------------------------------------------------------------------------------------------------------------------------------------------|-----------------------|--------------------|-------------------------------------------------------------------------------------|----------|-------|--------|----------|-------|--------|----------|-------|--------|---------|-------|--------|---------|-------|--------|---------------------------------|--------------|-------------------------------|------------------------|
| | | mm | INCH | | | | | | | | | | | | | | | | | | | | | |
| | 4 PLACES | ± .10 | ± .004 | | | | | | | | | | | | | | | | | | | | | |
| | 3 PLACES | ± .15 | ± .006 | | | | | | | | | | | | | | | | | | | | | |
| 2 PLACES | ± .25 | ± .010 | | | | | | | | | | | | | | | | | | | | | | |
| 1 PLACE | ± .36 | ± .014 | | | | | | | | | | | | | | | | | | | | | | |
| 0 PLACE | ± .50 | ± .020 | | | | | | | | | | | | | | | | | | | | | | |
| DRAFT WHERE APPLICABLE MUST REMAIN WITHIN DIMENSIONS | | MATERIAL NO. SEE CHART | DRAWN BY SAMIEC | DATE 2000/03/15 | TITLE MICRO-FIT (3.0) DUAL ROW RIGHT ANGLE THRU HOLE HEADER ASS'Y | | | | | | | | | | | | | | | | | | | |
| ANGULAR ±1/2° | | DOCUMENT NO. SD-43045-001 | CHECKED BY MUELLER | DATE 2000/03/15 | molex | | | | | | | | | | | | | | | | | | | |
| SHEET NO. 1 OF 1 | | THIS DRAWING CONTAINS INFORMATION THAT IS PROPRIETARY TO MOLEX INCORPORATED AND SHOULD NOT BE USED WITHOUT WRITTEN PERMISSION | | | | | | | | | | | | | | | | | | | | | | |