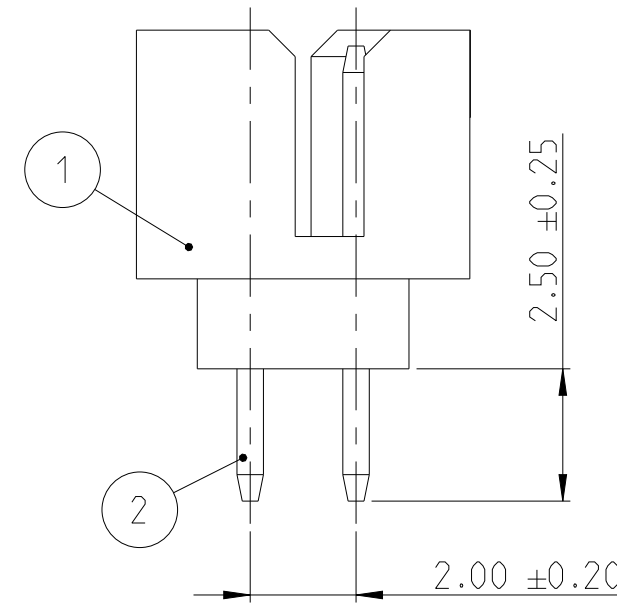
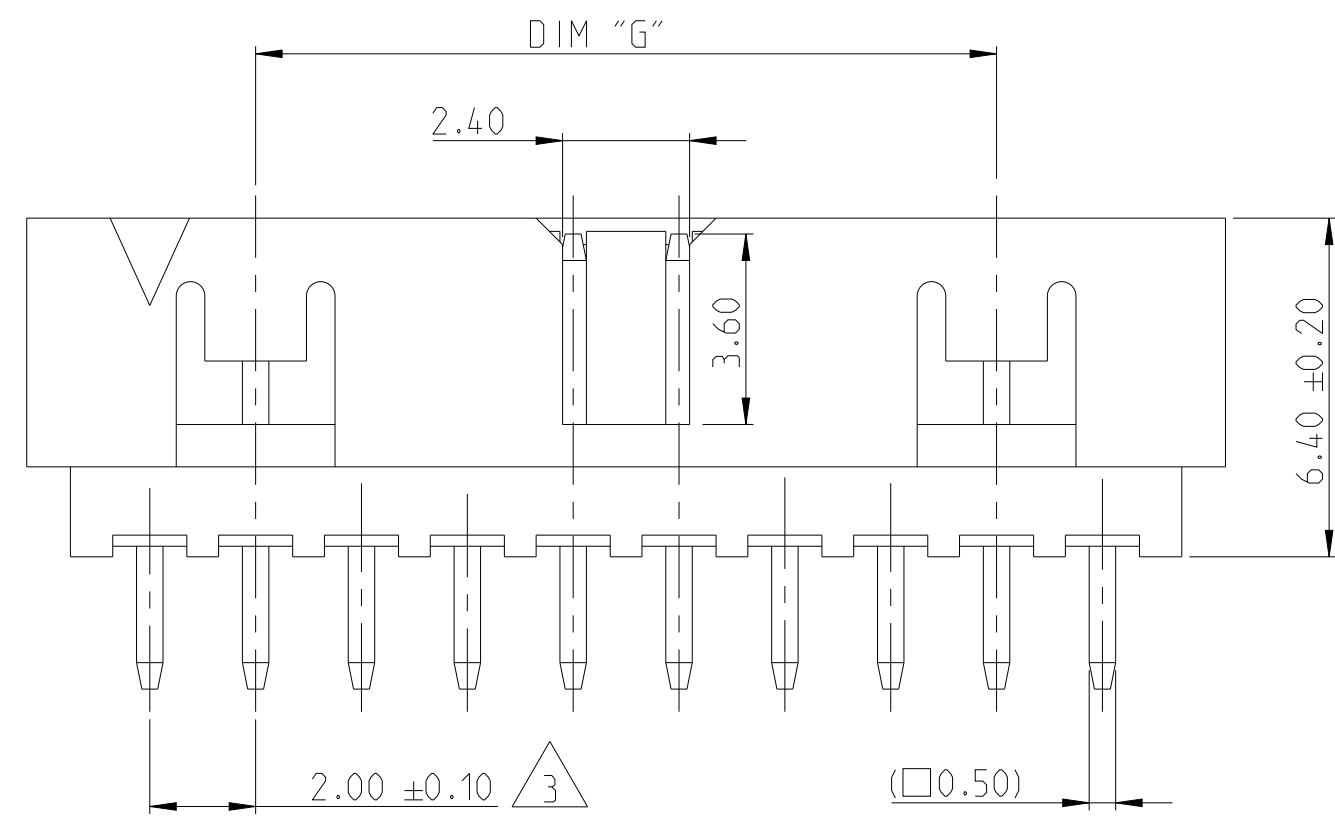
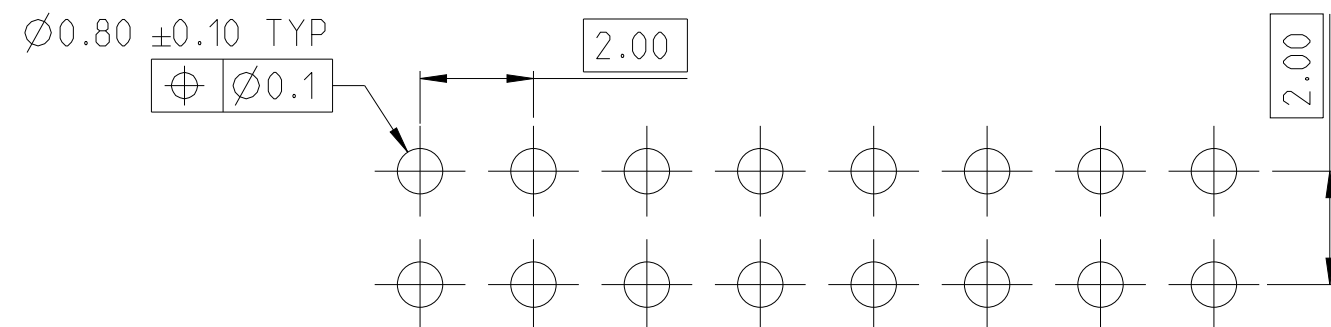
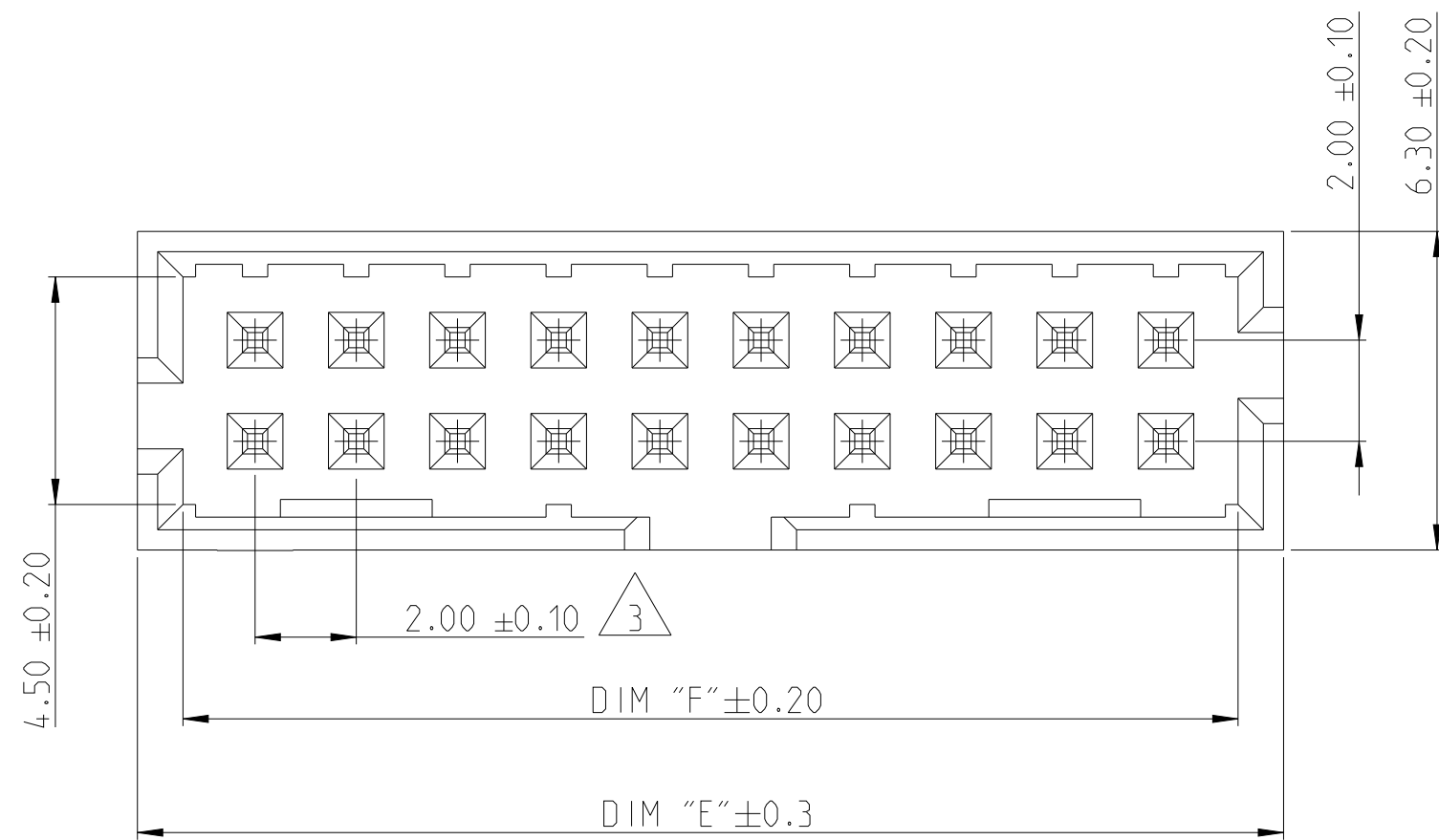
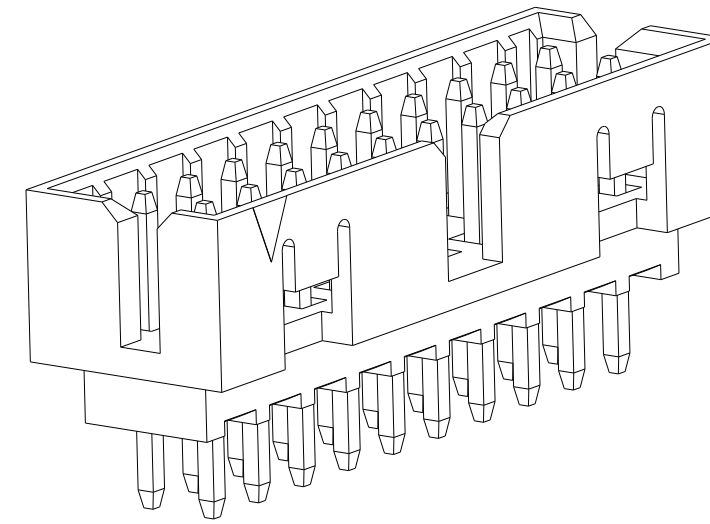


P	LTR	DESCRIPTION	DATE	DWN	APVD
A		RELEASE TO PRODUCTION	09DEC2019	AY	PS
A1		18 POSITION ADDED	13MAY2021	AY	PS

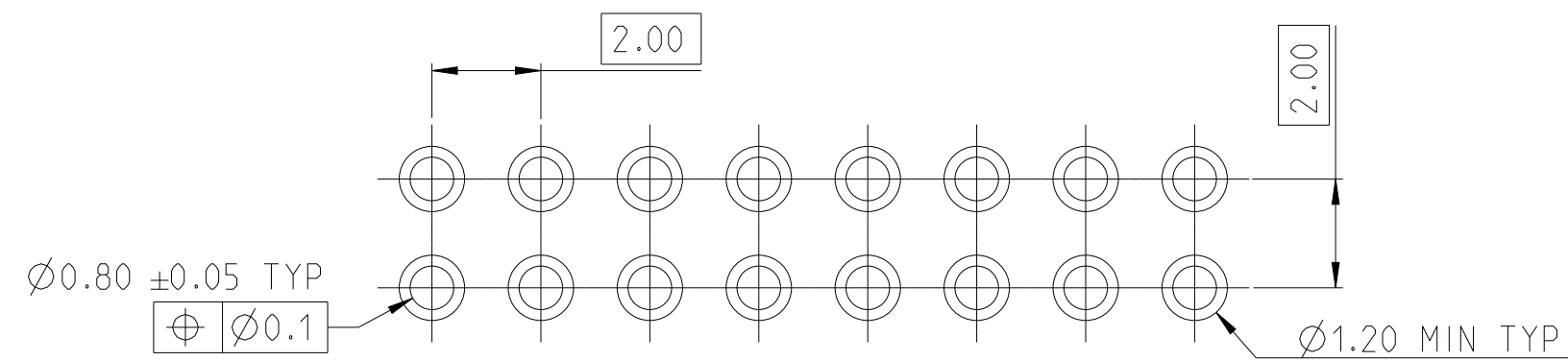


NOTES:

- MATERIAL
HOUSING : HIGH TEMPERATURE THERMOPLASTIC, UL94-V0; COLOR- BLACK
POST : COPPER ALLOY
FINISH :
MATING SIDE: MIN. 0.76 μm GOLD OVER NICKEL UNDER PLATING.
SOLDER SIDE: MIN. 2.0 μm TIN OVER NICKEL UNDER PLATING.
 - PACKAGING: TUBE
- △ TOLERANCE NOT CUMULATIVE.



RECOMMENDED PCB HOLE PATTERN FOR THROUGH HOLE WAVE



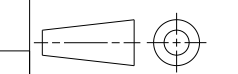
RECOMMENDED PCB HOLE PATTERN FOR THROUGH HOLE REFLOW /PIN-IN-PASTE

2-2842238-0 AS SHOWN

44	50.85	52.65	50	5-2842238-0
38	44.85	46.65	44	4-2842238-4
34	40.85	42.65	40	4-2842238-0
28	34.85	36.65	34	3-2842238-4
24	30.85	32.65	30	3-2842238-0
20	26.85	28.65	26	2-2842238-6
18	24.85	26.65	24	2-2842238-4
14	20.85	22.65	20	2-2842238-0
12	18.85	20.65	18	1-2842238-8
10	16.85	18.65	16	1-2842238-6
8	14.85	16.65	14	1-2842238-4
DIM "G"	DIM "F"	DIM "E"	POS.	TE PN.

THIS DRAWING IS A CONTROLLED DOCUMENT.

DIMENSIONS:
mm



MATERIAL
SEE NOTES

TOLERANCES UNLESS OTHERWISE SPECIFIED:
0 PLC ±
1 PLC ±
2 PLC ±0.25
3 PLC ±
4 PLC ±
ANGLES ±2°
FINISH -

DWN ANKIT YADAV 12NOV2019
CHK KARTHIK JK 25NOV2019
APVD PRASHANTH S. 27NOV2019
PRODUCT SPEC
108-64040
APPLICATION SPEC
114-32259

WEIGHT -

CUSTOMER DRAWING

NAME
AMPMODU 2mm SHROUDED HEADER,
DUAL ROW, VERTICAL TH. 0.76 Au, TUBE

SIZE A2 CAGE CODE 00779 DRAWING NO. C-2842238 RESTRICTED TO -

CONTACT PIN	2
HOUSING	1
DESCRIPTION	ITEM NO.

SCALE 5:1 SHEET 1 OF 1 REV A1