

294919-E ✓ ACTIVE

ERNI | ERNI MiniBridge

TE Internal #: 294919-E

PCB Mount Header, Vertical, Cable-to-Board, 10 Position, 1.27 mm
[.05 in] Centerline, Fully Shrouded, Gold (Au), Surface Mount, ERNI
MiniBridge

[View on TE.com >](#)



Connectors > PCB Connectors > PCB Headers & Receptacles



Connector System: **Cable-to-Board**

Number of Positions: **10**

Centerline (Pitch): **1.27 mm [.05 in]**

Sealable: **No**

PCB Mount Orientation: **Vertical**

Features

Product Type Features

PCB Connector Assembly Type	PCB Mount Header
Header Type	Fully Shrouded
Connector System	Cable-to-Board
Sealable	No
Connector & Contact Terminates To	Printed Circuit Board

Configuration Features

Number of Columns	10
Number of Loaded Positions	10
Connector Contact Load Condition	Fully Loaded
Number of Positions	10
PCB Mount Orientation	Vertical
Number of Rows	1

Body Features

Primary Product Color	Black
-----------------------	-------



Contact Features

Contact Mating Area Length	2.5 mm[.098 in]
PCB Contact Termination Area Plating Material Thickness	4 – 6 μm [157.48 – 236.22 μin]
Contact Layout	Inline
Contact Type	Pin
Contact Shape & Form	Rectangular
PCB Contact Termination Area Plating Material	Tin
Contact Base Material	Copper Alloy
Contact Mating Area Plating Material	Gold (Au)
Contact Current Rating (Max)	3.6 A

Termination Features

Termination Method to Printed Circuit Board	Surface Mount
---	---------------

Mechanical Attachment

Mounting Alignment Feature Length	.75 mm[.029 in]
PCB Mount Alignment Type	Pegs
Mating Alignment Type	Polarization
Mating Retention	With
Mating Alignment	With
PCB Mount Alignment	With
PCB Mount Retention	With
Mating Retention Type	Latch
Connector Mounting Type	Board Mount

Housing Features

Mating Entry Location	Top
Housing Material	LCP
Centerline (Pitch)	1.27 mm[.05 in]

Dimensions

Connector Length	17.78 mm[.7 in]
Connector Height	6.1 mm[.24 in]
Connector Width	7 mm[.275 in]
Profile Height from PCB	6.1 mm[.24 in]

Usage Conditions



Operating Temperature (Max)	150 °C[302 °F]
Operating Temperature Range	-55 – 150 °C[-67 – 302 °F]

Operation/Application

Circuit Application	Power & Signal
---------------------	----------------

Industry Standards

Agency/Standard	DIN, UL
Industry Standard	IEC
UL Flammability Rating	UL 94V-0

Packaging Features

Packaging Reel Diameter	330 mm[12.99 in]
Packaging Type	Tape & Reel
Packaging Quantity	650

Product Compliance

[For compliance documentation, visit the product page on TE.com>](#)

EU RoHS Directive 2011/65/EU	Compliant
EU ELV Directive 2000/53/EC	Not Yet Reviewed
China RoHS 2 Directive MIIT Order No 32, 2016	No Restricted Materials Above Threshold
EU REACH Regulation (EC) No. 1907/2006	Current ECHA Candidate List: JUNE 2023 (235) Candidate List Declared Against: JUNE 2023 (235) Does not contain REACH SVHC
Halogen Content	Not Yet Reviewed for halogen content
Solder Process Capability	Not reviewed for solder process capability

Product Compliance Disclaimer

This information is provided based on reasonable inquiry of our suppliers and represents our current actual knowledge based on the information they provided. This information is subject to change. The part numbers that TE has identified as EU RoHS compliant have a maximum concentration of 0.1% by weight in homogenous materials for lead, hexavalent chromium, mercury, PBB, PBDE, DBP, BBP, DEHP, DIBP, and 0.01% for cadmium, or qualify for an exemption to these limits as defined in the Annexes of Directive 2011/65/EU (RoHS2). Finished electrical and electronic equipment products will be CE marked as required by Directive 2011/65/EU. Components may not be CE marked. Additionally, the part numbers that TE has identified as EU ELV compliant have a maximum concentration of 0.1% by weight in homogenous materials for lead, hexavalent chromium, and mercury, and 0.01% for cadmium, or qualify for an exemption to these limits as defined in the Annexes of Directive 2000/53/EC (ELV). Regarding the REACH Regulation, the information TE provides on SVHC in articles for this part number is based on the latest European Chemicals Agency (ECHA) 'Guidance on requirements for substances in articles' posted at this URL: <https://echa.europa.eu/guidance-documents/guidance-on-reach>

Compatible Parts



TE Part # 284695-E
SRCP 1,27 2 M 1 SMD 137 E1 094 * GU-H *



TE Part # 284696-E
SRCP 1,27 3 M 1 SMD 137 E1 094 * GU-H *



TE Part # 284697-E
SRCP 1,27 4 M 1 SMD 137 E1 094 * GU-H *




TE Part # 294920-E
SRCP 1,27 12 M 1 SMD 137 E1 094 * GU-H *




TE Part # 839163-E
IDCCS SRC 1,27 10 * SFX SFX 200 PVC



TE Part # 839164-E
IDCCS SRC 1,27 10 * SFX SFX 300 PVC



TE Part # 839162-E
IDCCS SRC 1,27 10 * SFX SFX 100 PVC



TE Part # 839427-E
IDCCS SRC 1,27 10 * SFX SFX 150 HF

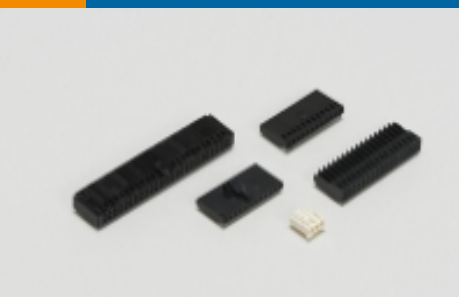
Also in the Series | ERNI MiniBridge



PCB Headers & Receptacles(77)



Pluggable I/O Cable Assemblies(22)



Wire-to-Board Connector Assemblies & Housings(1)

Customers Also Bought



TE Part #3-826926-6
36P AMPMODU II STIFT LEI



TE Part #7-2176370-9
RQ 0603 2K8 0.1% 10PPM 5K RL



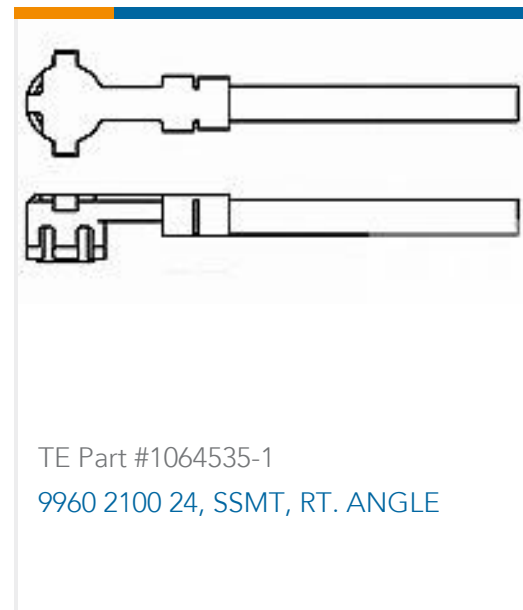
TE Part #2170129-1
Recept RJ.5 W/O MAG, 1X2 OFFSET



TE Part #625006-000
D-136-21



TE Part #338070-6
MICRO-MATCH FEM.SE



TE Part #1064535-1
9960 2100 24, SSMT, RT. ANGLE



TE Part #214025-E
SRCP 1,27 4 F 1 I2426 137 * 162 1,07
TRA



TE Part #234464-E
SRCA 1,27 10 M 1 SMD 137 E1 094 *
GURT *



TE Part #234472-E
SRCA 1,27 10 F 1 I2426 137 E1 094 1,07
T

Documents

Product Drawings

[SRCP 1,27 10 M 1 SMD 137 E1 094 * GU-H *](#)

German

CAD Files

Customer View Model

[ENG_CVM_CVM_294919-E_1.2d_dxf.zip](#)

English

Customer View Model

[ENG_CVM_CVM_294919-E_1.3d_stp.zip](#)

English

Customer View Model

[ENG_CVM_CVM_294919-E_1.3d_igs.zip](#)

English

3D PDF

3D

By downloading the CAD file I accept and agree to the [Terms and Conditions](#) of use.

Datasheets & Catalog Pages

[Datasheet - ERNI MiniBridge 1.27mm Connectors](#)

[Datasheet - ERNI MiniBridge 1.27mm Connectors](#)

English

[Datasheet - ERNI MiniBridge 1.27mm Connectors](#)

German