

May.1.2017 Copyright 2017 HIROSE ELECTRIC CO., LTD. All Rights Reserved.

COUNT	DESCRIPTION OF REVISIONS	BY	CHKD	DATE	COUNT	DESCRIPTION OF REVISIONS	BY	CHKD	DATE

APPLICABLE STANDARD				
RATING	OPERATING TEMPERATURE RANGE	-55℃ TO +85℃(note1)	STORAGE TEMPERATURE RANGE	-10℃ TO +60℃
	VOLTAGE	30 V AC/DC	APPLICABLE CONNECTOR	BM23PF0.8-***DS-0.35V(**)
	CURRENT	SIGNAL CONTACT 0.3A(note2) POWER CONTACT 4.0A		

SPECIFICATIONS

ITEM	TEST METHOD	REQUIREMENTS	QT	AT
------	-------------	--------------	----	----


CONSTRUCTION				
GENERAL EXAMINATION	CONFIRMED VISUALLY AND BY MEASURING INSTRUMENT.	ACCORDING TO DRAWING.	X	X
MARKING	CONFIRMED VISUALLY.		X	X

ELECTRICAL CHARACTERISTICS				
CONTACT RESISTANCE	20mV AC OR LESS 1kHz, 1mA	SIGNAL CONTACT : 90mΩ MAX POWER CONTACT : 30mΩ MAX	X	-
INSULATION RESISTANCE	100V DC	50MΩ MIN	X	-
VOLTAGE PROOF	100V AC FOR 1min.	NO FLASHOVER OR BREAKDOWN	X	-

MECHANICAL CHARACTERISTICS				
MECHANICAL OPERATION	10 TIMES INSERTIONS AND EXTRACTATIONS.	① CONTACT RESISTANCE: SIGNAL CONTACT : 90mΩ MAX POWER CONTACT : 30mΩ MAX ② NO DAMAGE, CRACK OR LOOSENESS OF PATRS.	X	-
VIBRATION	FREQUENCY 10 TO 55 TO 10 Hz, APPROX 5min SINGLE AMPLITUDE 0.75mm, 10CYCLES, FOR 3 DIRECTIONS.	① NO ELECTRICAL DISCONTINUITY OF 1μs. ② NO DAMAGE, CRACK OR LOOSENESS OF PARTS.	X	-
SHOCK	490 m/s² DURATION OF PULSE 11ms AT 3 TIMES FOR 3 DIRECTIONS.	① NO ELECTRICAL DISCONTINUITY OF 1μs. ② NO DAMAGE, CRACK OR LOOSENESS OF PARTS.	X	-

ENVIRONMENTAL CHARACTERISTICS				
RAPID CHANGE OF TEMPERATURE	TEMPERATURE -55 → +85℃ TIME 30 → 30 min UNDER 5 CYCLES. (RELOCATION TIME TO CHAMBER: WITHIN2~3 MIN)	① CONTACT RESISTANCE: SIGNAL CONTACT : 90mΩ MAX POWER CONTACT : 30mΩ MAX ② INSULATION RESISTANCE: 50MΩ MIN ③ NO DAMAGE, CRACK OR LOOSENESS OF PARTS.	X	-
DAMP HEAT (STEADY STATE)	EXPOSED AT 40±2℃, 90 TO 95%, 96h.	① CONTACT RESISTANCE: SIGNAL CONTACT : 90mΩ MAX POWER CONTACT : 30mΩ MAX ② INSULATION RESISTANCE: 25MΩ MIN ③ NO DAMAGE, CRACK OR LOOSENESS OF PARTS.	X	-
SULPHUR DIOXIDE	EXPOSED IN 25 PPM FOR 96h, 25℃, 75±5%RH. (Test standard : JIS C 60068)	① CONTACT RESISTANCE: SIGNAL CONTACT : 90mΩ MAX POWER CONTACT : 30mΩ MAX ② NO DAMAGE, CRACK OR LOOSENESS OF PARTS.	X	-

REFERENCE DRAWING

REMARKS	DRAWN	DESIGNED	CHECKED	APPROVED	RELEASED
Note 1 : INCLUDE THE TEMPERATURE RISING BY CURRENT. Note 2 : MAX 10A AT TOTAL PIN CONTACTS.	Y.J.LEE	Y.J.LEE	H.W.JO	T.S.KANG	
Unless otherwise specified, refer to JIS C 5402 and IEC 60512	15.11.23	15.11.23	15.11.23	15.11.23	

Note QT: QUALIFICATION TEST AT: ASSURANCE TEST X: APPLICABLE TEST

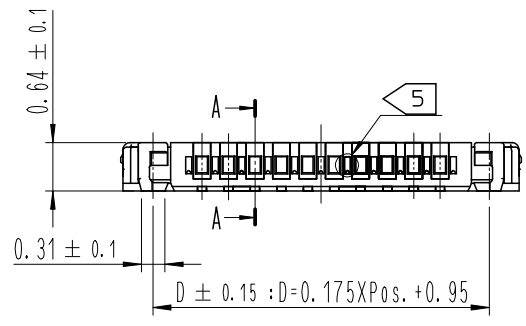
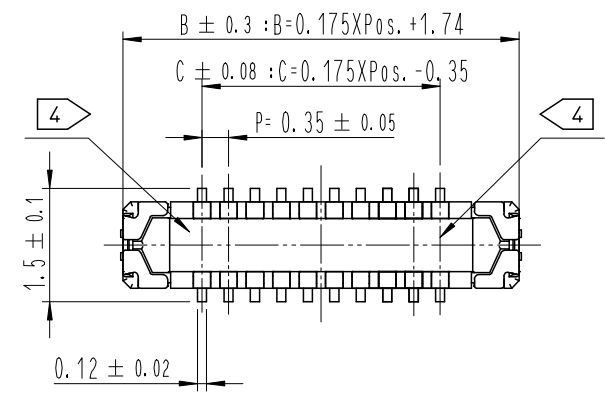
HIROSE KOREA CO.,LTD.	SPECIFICATION SHEET	PART NO. BM23PF0.8-***DP-0.35V(51)
-----------------------	---------------------	---------------------------------------

CODE NO.(OLD) CL	DRAWING NO. SLC4-*****	CODE NO. CL 66**-*****-**-**	1/1
---------------------	---------------------------	---------------------------------	-----

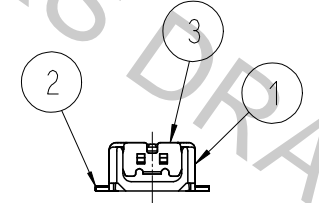
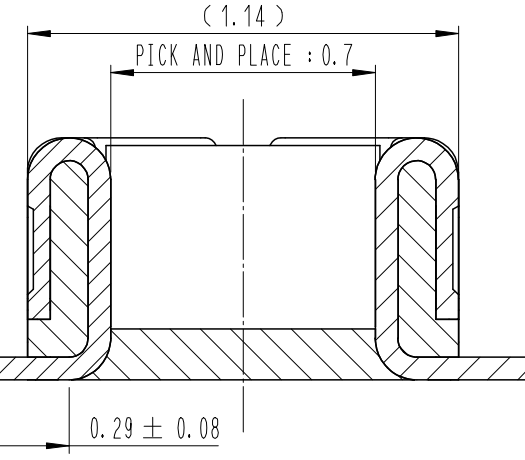
May.1.2017 Copyright 2017 HIROSE ELECTRIC CO., LTD. All Rights Reserved.

DRAWING FOR REFERENCE
This is subject to change without notice

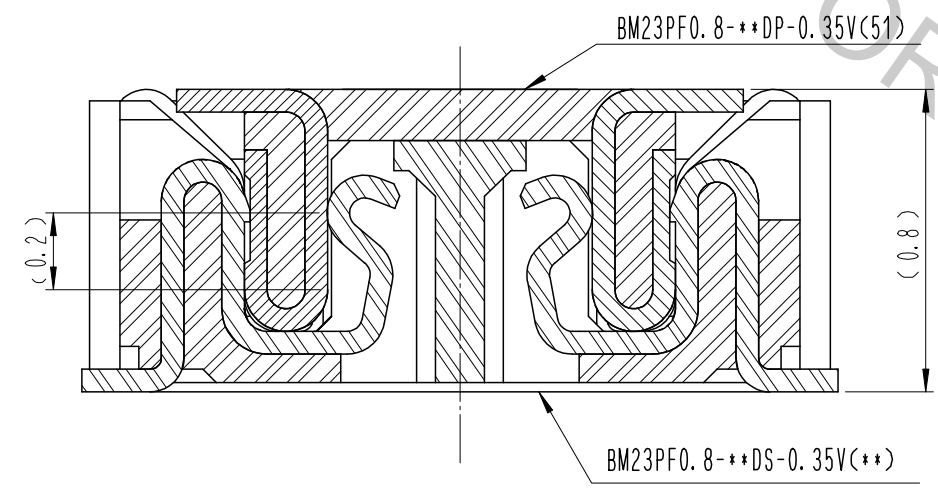
COUNT	DESCRIPTION OF REVISIONS	B	Y	CHKD	DATE	COUNT	DESCRIPTION OF REVISIONS	B	Y	CHKD	DATE
2	RE-6-0742			LYJ	JHW	16.09.27					
3	RE-6-0806			MSH	JHW	17.01.05					



A:A(50:1)



ENGAGEMENT FIGURE (50:1)



PART No.	CODE No.	POS.	B	C	D
BM23PF0.8-10DP-0.35V(51)	-	10	3.49	1.40	2.70
BM23PF0.8-14DP-0.35V(51)	-	14	4.19	2.10	3.40
BM23PF0.8-20DP-0.35V(51)	-	20	5.24	3.15	4.45
BM23PF0.8-24DP-0.35V(51)	-	24	5.94	3.85	5.15
BM23PF0.8-40DP-0.35V(51)	-	40	8.74	6.65	7.95
BM23PF0.8-42DP-0.35V(51)	-	42	9.09	7.00	8.30
BM23PF0.8-46DP-0.35V(51)	-	46	9.79	7.70	9.00
BM23PF0.8-54DP-0.35V(51)	-	54	11.19	9.10	10.40

- NOTE
- 1. ALL LEAD CO-PLANARITY SHALL BE 0.08mm MAX.
 - 2. CONTACT PLATING SPECIFICATIONS.
CONTACT AREA : GOLD 0.05 μm MIN.
SMT LEAD : GOLD 0.05 μm MIN.
UNDER PLATING : NICKEL 1 μm MIN.
(SURFACE : SEALING)
 - 3. METAL FITTING PLATING SPECIFICATIONS.
SMT LEAD : GOLD 0.05 μm MIN.
UNDERPLATING : NICKEL 1 μm MIN.
(SURFACE : SEALING)
 - 4. HRS MARK AND CAV No. ARE INDICATED IN APPROX POSITION SHOWN.
 - 5. A PART OF THE WALL COULD BE NOTCHED.

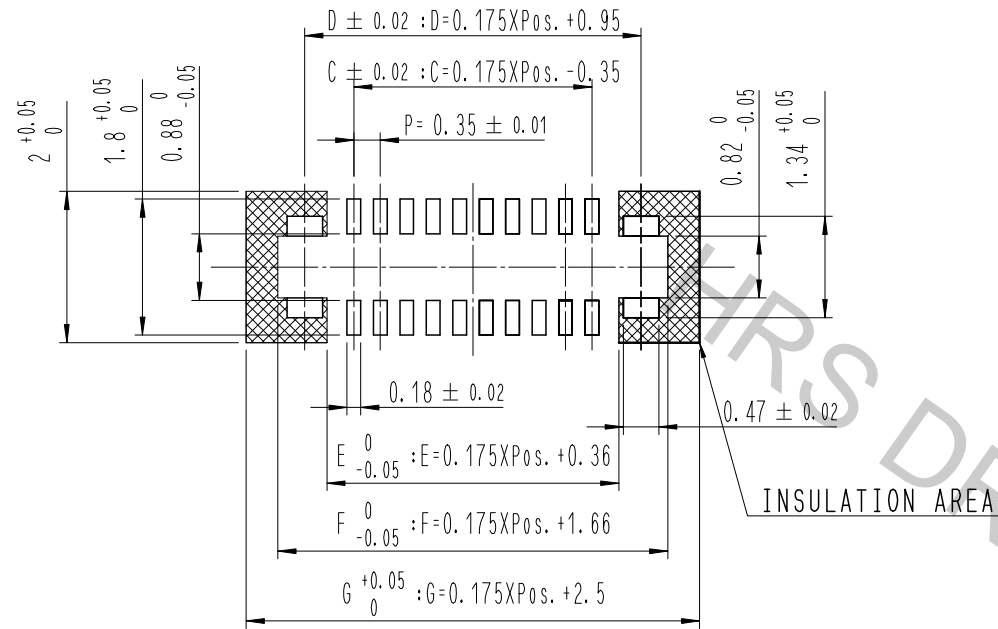
NO.	MATERIAL	FINISH, REMARKS	NO.	MATERIAL	FINISH, REMARKS
4	PS	CLEAR (EMBOSSED CARRIER TAPE)			
3	COOPER ALLOY	3	7	PS	CLEAR (REINFORCEMENT COLLAR)
2	COOPER ALLOY	2	6	PS	BLACK (PLASTIC REEL)
1	LCP	UL94 V-0, BLACK	5	POLYESTER	CLEAR (COVER TAPE)

REMARKS	DRAWN	DESIGNED	CHECKED	APPROVED	RELEASED
	Y. J. LEE	Y. J. LEE	H. W. JO	T. S. KANG	15.11.23
	15.11.23	15.11.23	15.11.23	15.11.23	

CODE NO. (OLD)	DRAWING NO. EDC3-*****	PART NO. BM23PF0.8-***DP-0.35V(51)
SCALE 10:1	HRS HIROSE KOREA CO., LTD.	CODE NO. CL 66**-*****-***
UNITS mm		1/3

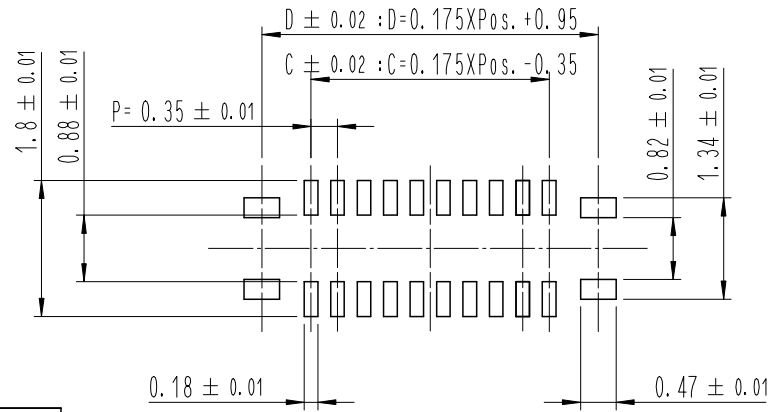
May.1.2017 Copyright 2017 HIROSE ELECTRIC CO., LTD. All Rights Reserved.

7 RECOMMENDED PCB LAYOUT



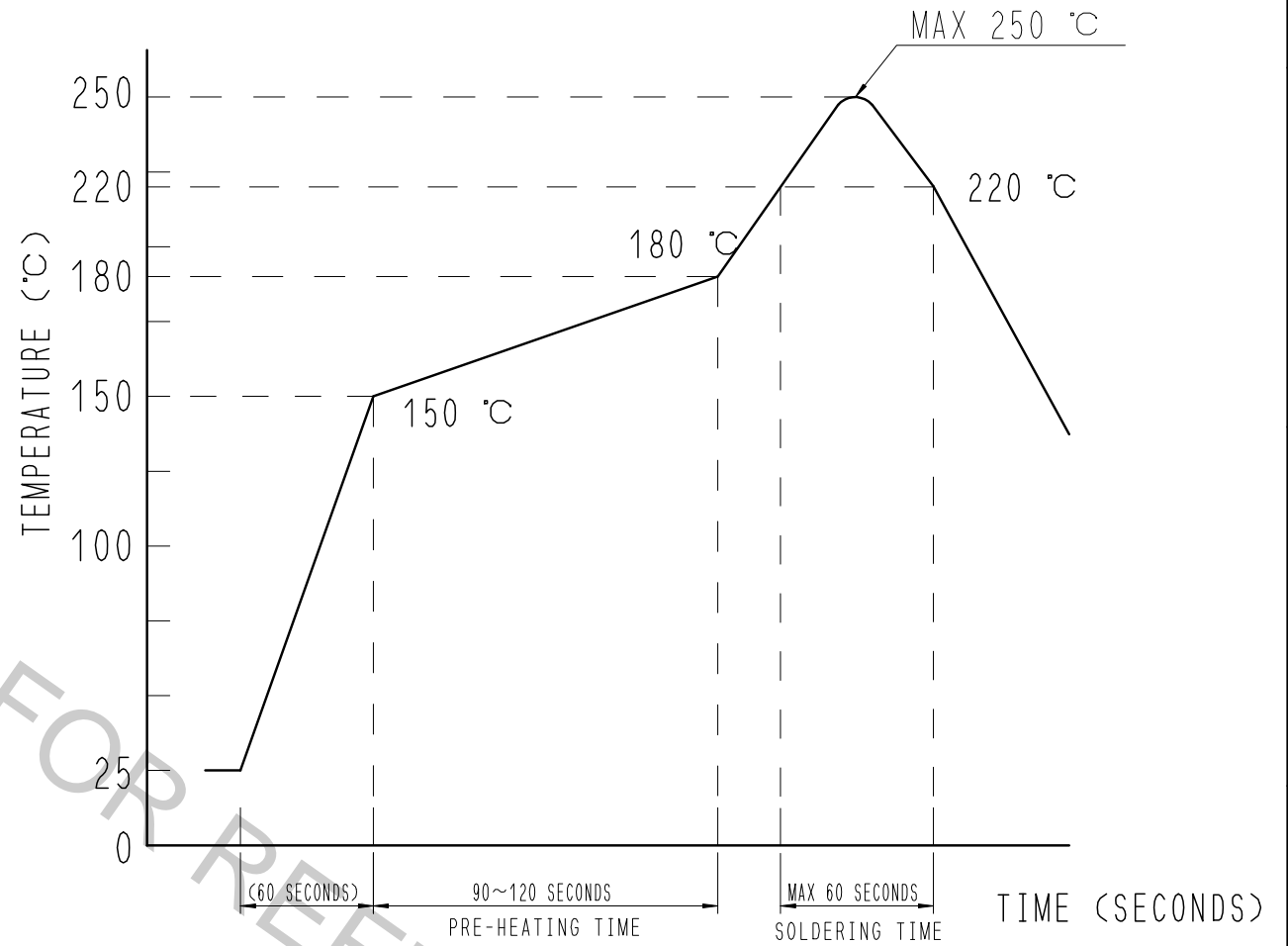
RECOMMENDED METAL MASK DIMENSIONS

METAL MASK THICKNESS : 100 μm



POS.	C	D	E	F	G
10	1.40	2.70	2.11	3.41	4.25
14	2.10	3.40	2.81	4.11	4.95
20	3.15	4.45	3.86	5.16	6.00
24	3.85	5.15	4.56	5.86	6.70
40	6.65	7.95	7.36	8.66	9.50
42	7.00	8.30	7.71	9.01	9.85
46	7.70	9.00	8.41	9.71	10.55
54	9.45	10.75	10.16	11.46	12.30

6 RECOMMENDED REFLOW TEMPERATURE PROFILE USING LEAD-FREE SOLDER PASTE.

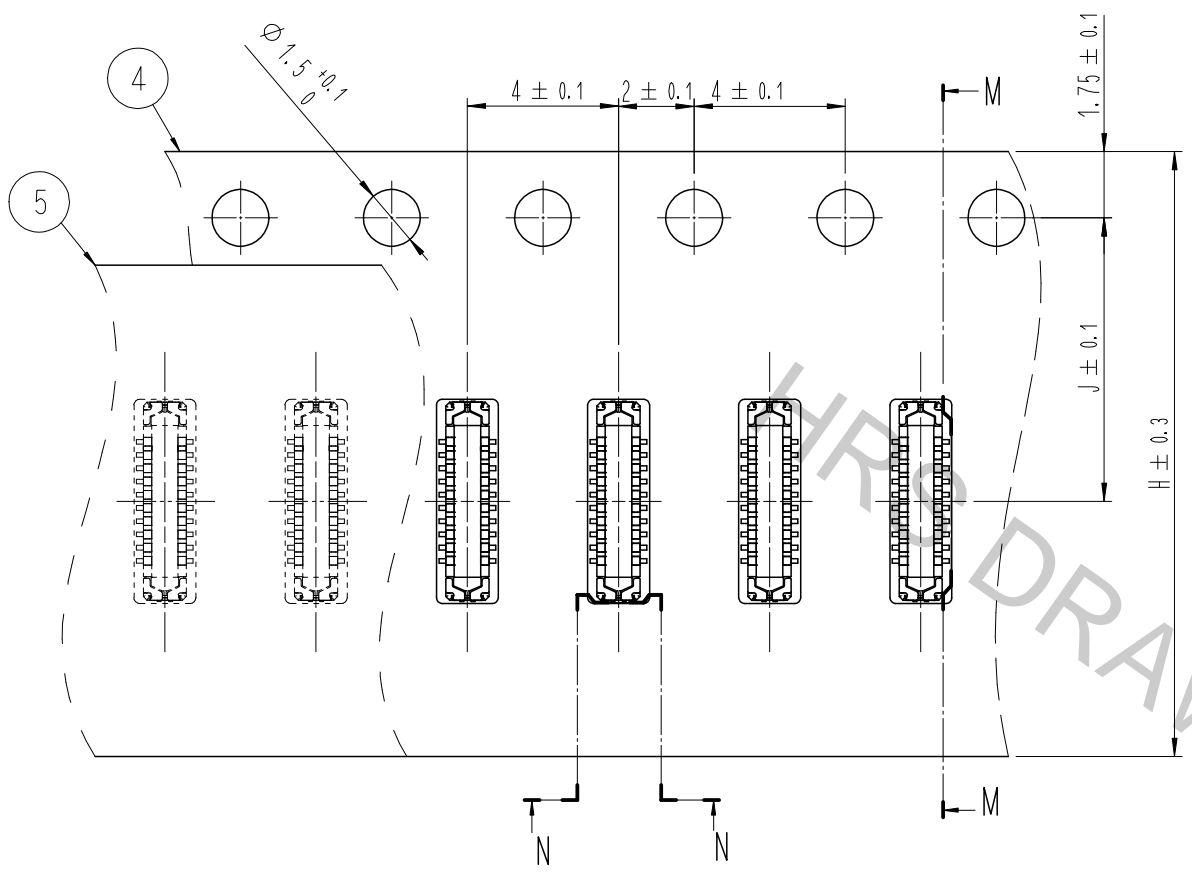


REFLOW METHOD: IR REFLOW
 NUMBER OF REFLOW CYCLES: 2 CYCLES MAX.
 1) REFLOW TIME
 DURATION ABOVE 220°C, 60 SEC MAX.
 (PEAK TEMPERATURE: 250°C MAX)
 2) PRE-HEAT TIME
 PRE-HEAT TEMPERATURE (MIN): 150°C
 PRE-HEAT TEMPERATURE (MAX): 180°C
 PRE-HEAT TIME: 90-120 SEC.

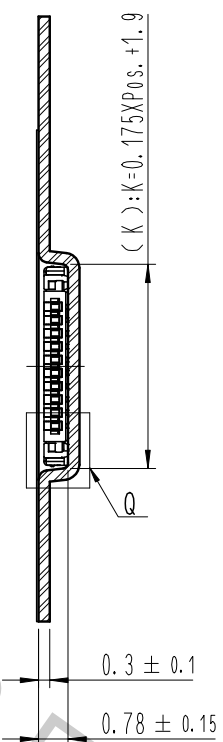
- 6 THIS TEMPERATURE PROFILE IS PER THE CONDITIONS SHOWN ABOVE. ADDITIONAL FACTORS, SUCH AS SOLDER PASTE TYPE, PCB SIZE AND OTHER MOUNTED COMPONENTS COULD AFFECT THE PROFILE, THEREFORE, A THOROUGH EVALUATION OF MOUNTING CONDITION IS REQUIRED PRIOR TO PRODUCTION. TEMPERATURE IS MEASURED AT CONTACT LEAD.
- 7 PLEASE CONTACT US IN CASE YOU WILL MAKE DIFFERENT SETTINGS FROM OUR RECOMMENDATION.

	DRAWING NO.	EDC3-*****	PART NO.	BM23PF0.8-***DP-0.35V(51)
	SCALE	10:1	CODE NO	CL 66**-*****-***
UNITS	mm	HRS HIROSE KOREA CO., LTD.		2/3

EMBOSED CARRIER TAPE PACKAGING (5:1)

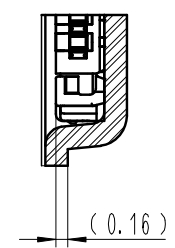


M-M (5:1)

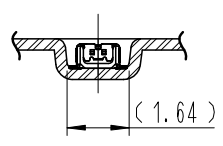


△ POS.	H	J	K	L	M
10	12	5.5	3.65	13.5	17.5
14	16	7.5	4.35	17.5	21.5
20	16	7.5	5.40	17.5	21.5
24	16	7.5	6.10	17.5	21.5
40	24	11.5	8.90	25.5	29.5
42	24	11.5	9.25	25.5	29.5
46	24	11.5	9.95	25.5	29.5
54	24	11.5	11.35	25.5	29.5

Q (10:1)



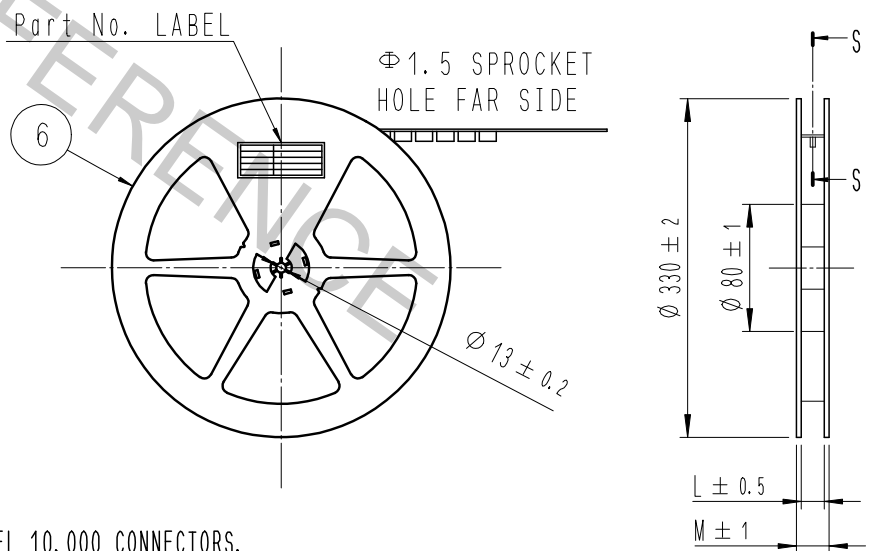
N-N (5:1)



DIRECTION OF UNREELING

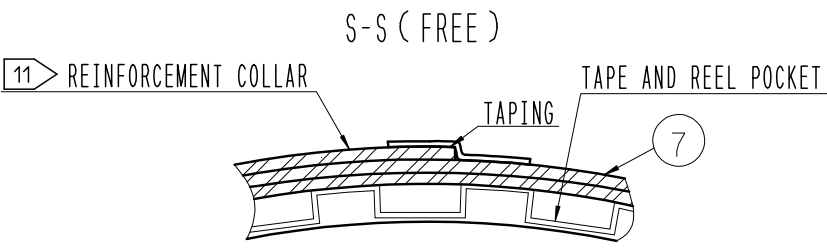


STYLE AND DIMENTION OF REEL (FREE)

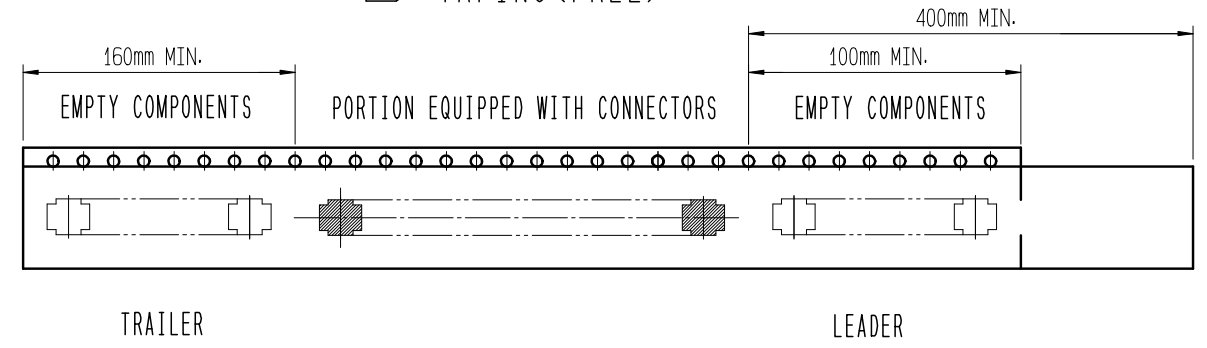


DETAIL OF PART No. LABEL

SUPPLIER	QUANTITY	PART NO.	CODE NO.	DATE OF MANUFACTURED
生産月日	年月日	図番	** ** *	
品名	BM23PF0.8-**-DP-0.35V(51)	納入数量	10,000個	納入者
			HIROSE KOREA	



10 TAPING(FREE)



- 8 . PER REEL 10,000 CONNECTORS.
- 9 . THE DIMENSIONS IN PARENTHESES ARE FOR REFERENCE.
- 10 REFER TO JIS C 0806, IEC-60286-3 (PACKAGING OF COMPONENTS FOR AUTOMATIC HANDLING)
- 11 AFTER PACKAGING, ROLL 2 METERS OF THE REINFORCEMENT COLLAR TO OUTER CIRCUMFERENCE OF TAPE AND REEL POCKET. AND TAPE DOWN AT THE END THE COLLAR.

SCALE 10:1	DRAWING NO.	EDC3-*****	PART NO.	BM23PF0.8-**-DP-0.35V(51)
	UNITS mm	HIROSE KOREA CO., LTD.		CODE NO CL 66**-*****-***