

54F/74F245

Octal Bidirectional Transceiver with TRI-STATE® Outputs

General Description

The 'F245 contains eight non-inverting bidirectional buffers with TRI-STATE outputs and is intended for bus-oriented applications. Current sinking capability is 24 mA (20 mA Mil) at the A ports and 64 mA (48 mA Mil) at the B ports. The Transmit/Receive (T/\bar{R}) input determines the direction of data flow through the bidirectional transceiver. Transmit (active HIGH) enables data from A ports to B ports; Receive (active LOW) enables data from B ports to A ports. The Output Enable input, when HIGH, disables both A and B ports by placing them in a High Z condition.

Features

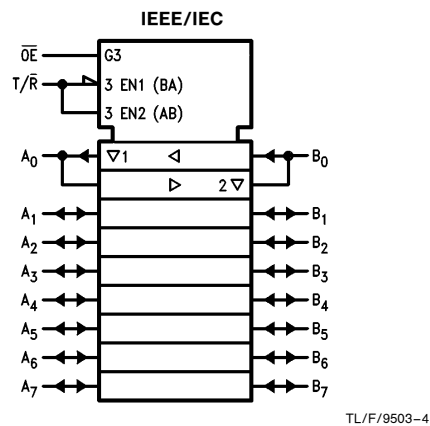
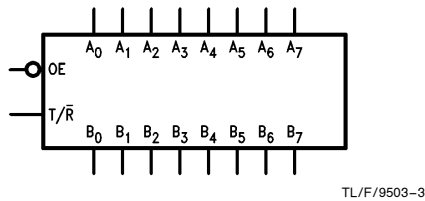
- Non-inverting buffers
- Bidirectional data path
- A outputs sink 24 mA (20 mA Mil)
- B outputs sink 64 mA (48 mA Mil)
- Guaranteed 4000V minimum ESD protection

| Commercial | Military | Package Number | Package Description |
|--------------------|-------------------|----------------|---|
| 74F245PC | | N20A | 20-Lead (0.300" Wide) Molded Dual-In-Line |
| | 54F245DM (Note 2) | J20A | 20-Lead Ceramic Dual-In-Line |
| 74F245SC (Note 1) | | M20B | 20-Lead (0.300" Wide) Molded Small Outline, JEDEC |
| 74F245SJ (Note 1) | | M20D | 20-Lead (0.300" Wide) Molded Small Outline, EIAJ |
| 74F245MSA (Note 1) | | MSA20 | 20-Lead Molded Shrink Small Outline, EIAJ Type II |
| | 54F245FM (Note 2) | W20A | 20-Lead Cerpack |
| | 54F245LM (Note 2) | E20A | 20-Lead Ceramic Leadless Chip Carrier, Type C |

Note 1: Devices also available in 13" reel. Use suffix = SCX, SJX and MSAX.

Note 2: Military grade device with environmental and burn-in processing. Use suffix = DMOB, FMOB and LMOB.

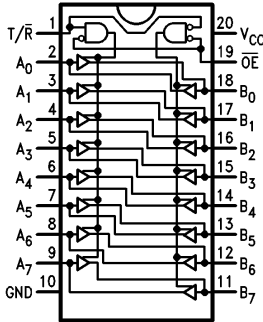
Logic Symbols



TRI-STATE® is a registered trademark of National Semiconductor Corporation.

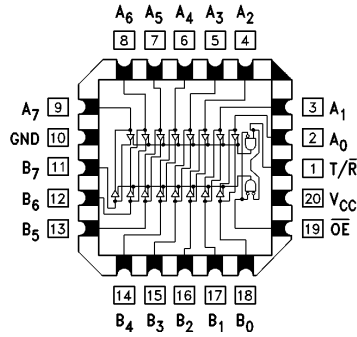
Connection Diagrams

Pin Assignment for
DIP, SOIC, SSOP and Flatpak



TL/F/9503-1

Pin Assignment
for LCC



TL/F/9503-2

Unit Loading/Fan Out

| Pin Names | Description | 54F/74F | |
|--------------------------------|---------------------------------------|------------------|---|
| | | U.L. HIGH/LOW | Input I_{IH}/I_{IL} Output I_{OH}/I_{OL} |
| \overline{OE} | Output Enable Input (Active LOW) | 1.0/2.0 | 20 μ A/ -1.2 mA |
| T/ \overline{R} | Transmit/Receive Input | 1.0/2.0 | 20 μ A/ -1.2 mA |
| A ₀ -A ₇ | Side A Inputs or TRI-STATE Outputs | 3.5/1.083 | 70 μ A/ -0.65 mA |
| B ₀ -B ₇ | Side B Inputs or TRI-STATE Outputs | 3.5/1.083 | 70 μ A/ -0.65 mA |
| | | 600/106.6(80) | -12 mA/64 mA (48 mA) |

Truth Table

| Inputs | | Output |
|-----------------|-------------------|---------------------|
| \overline{OE} | T/ \overline{R} | |
| L | L | Bus B Data to Bus A |
| L | H | Bus A Data to Bus B |
| H | X | High Z State |

H = HIGH Voltage Level
L = LOW Voltage Level
X = Immaterial

Absolute Maximum Ratings (Note 1)

If Military/Aerospace specified devices are required, please contact the National Semiconductor Sales Office/Distributors for availability and specifications.

| | |
|---|--------------------------|
| Storage Temperature | -65°C to +150°C |
| Ambient Temperature under Bias | -55°C to +125°C |
| Junction Temperature under Bias | -55°C to +175°C |
| Plastic | -55°C to +150°C |
| V _{CC} Pin Potential to Ground Pin | -0.5V to +7.0V |
| Input Voltage (Note 2) | -0.5V to +7.0V |
| Input Current (Note 2) | -30 mA to +5.0 mA |
| Voltage Applied to Output in HIGH State (with V _{CC} = 0V) | |
| Standard Output | -0.5V to V _{CC} |
| TRI-STATE Output | -0.5V to +5.5V |

Current Applied to Output in LOW State (Max) twice the rated I_{OL} (mA)

ESD Last Passing Voltage (Min) 4000V

Note 1: Absolute maximum ratings are values beyond which the device may be damaged or have its useful life impaired. Functional operation under these conditions is not implied.

Note 2: Either voltage limit or current limit is sufficient to protect inputs.

Recommended Operating Conditions

| | |
|------------------------------|-----------------|
| Free Air Ambient Temperature | |
| Military | -55°C to +125°C |
| Commercial | 0°C to +70°C |
| Supply Voltage | |
| Military | +4.5V to +5.5V |
| Commercial | +4.5V to +5.5V |

DC Electrical Characteristics

| Symbol | Parameter | 54F/74F | | | Units | V _{CC} | Conditions |
|------------------------------------|------------------------------------|-------------------------|------|------|-------|-----------------|---|
| | | Min | Typ | Max | | | |
| V _{IH} | Input HIGH Voltage | 2.0 | | | V | | Recognized as a HIGH Signal |
| V _{IL} | Input LOW Voltage | | | | V | | Recognized as a LOW Signal |
| V _{CD} | Input Clamp Diode Voltage | | | | V | Min | I _{IN} = -18 mA |
| V _{OH} | Output HIGH Voltage | 54F 10% V _{CC} | 2.4 | | V | Min | I _{OH} = -3 mA (A _n) I _{OH} = -12 mA (B _n) |
| | | 54F 10% V _{CC} | 2.0 | | | | |
| | | 74F 10% V _{CC} | 2.4 | | | | I _{OH} = -3 mA (A _n) |
| | | 74F 10% V _{CC} | 2.0 | | | | I _{OH} = -15 mA (B _n) |
| | | 74F 5% V _{CC} | 2.7 | | | | I _{OH} = -3 mA (A _n) |
| V _{OL} | Output LOW Voltage | 54F 10% V _{CC} | | 0.5 | V | Min | I _{OL} = 20 mA (A _n) |
| | | 54F 10% V _{CC} | | 0.55 | | | I _{OL} = 48 mA (B _n) |
| | | 74F 10% V _{CC} | | 0.5 | | | I _{OL} = 24 mA (A _n) |
| | | 74F 10% V _{CC} | | 0.55 | | | I _{OL} = 64 mA (B _n) |
| I _{IH} | Input HIGH Current | 54F | | 20.0 | μA | Max | V _{IN} = 2.7V |
| | | 74F | | 5.0 | | | |
| I _{BVI} | Input HIGH Current Breakdown Test | 54F | | 100 | μA | Max | V _{IN} = 7.0V (\overline{OE} , T/ \overline{R}) |
| | | 74F | | 7.0 | | | |
| I _{BVIT} | Input HIGH Current Breakdown (I/O) | 54F | | 1.0 | mA | Max | V _{IN} = 5.5 V (A _n , B _n) |
| | | 74F | | 0.5 | | | |
| I _{CEX} | Output HIGH Leakage Current | 54F | | 250 | μA | Max | V _{OUT} = V _{CC} (A _n , B _n) |
| | | 74F | | 50 | | | |
| V _{ID} | Input Leakage Test | 74F | 4.75 | | V | 0.0 | I _{ID} = 1.9 μA All Other Pins Grounded |
| I _{OD} | Output Leakage Circuit Current | 74F | | 3.75 | μA | 0.0 | V _{IOD} = 150 mV All Other Pins Grounded |
| I _{IL} | Input LOW Current | | | | mA | Max | V _{IN} = 0.5V (T/ \overline{R} , \overline{OE}) |
| I _{IH} + I _{OZH} | Output Leakage Current | | | | μA | Max | V _{OUT} = 2.7V (A _n , B _n) |
| I _{IL} + I _{OZL} | Output Leakage Current | | | | μA | Max | V _{OUT} = 0.5V (A _n , B _n) |

DC Electrical Characteristics (Continued)

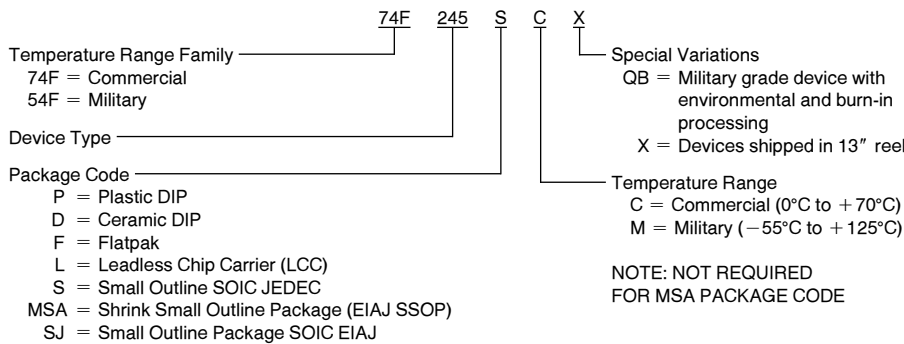
| Symbol | Parameter | 54F/74F | | | Units | V _{CC} | Conditions |
|------------------|------------------------------|-------------|-----|--------------|-------|-----------------|--|
| | | Min | Typ | Max | | | |
| I _{OS} | Output Short-Circuit Current | -60 -100 | | -150 -225 | mA | Max | V _{OUT} = 0V (A _n) V _{OUT} = 0V (B _n) |
| I _{ZZ} | Bus Drainage Test | | | 500 | μA | 0.0V | V _{OUT} = 5.25V(A _n , B _n) |
| I _{CCH} | Power Supply Current | | 70 | 90 | mA | Max | V _O = HIGH |
| I _{CCL} | Power Supply Current | | 95 | 120 | mA | Max | V _O = LOW |
| I _{CCZ} | Power Supply Current | | 85 | 110 | mA | Max | V _O = HIGH Z |

AC Electrical Characteristics

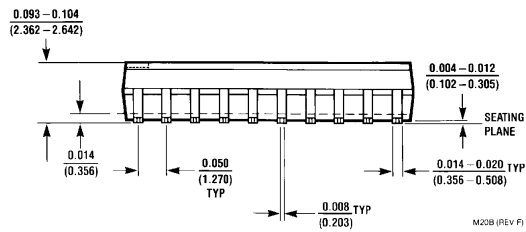
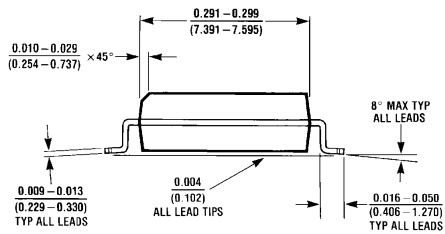
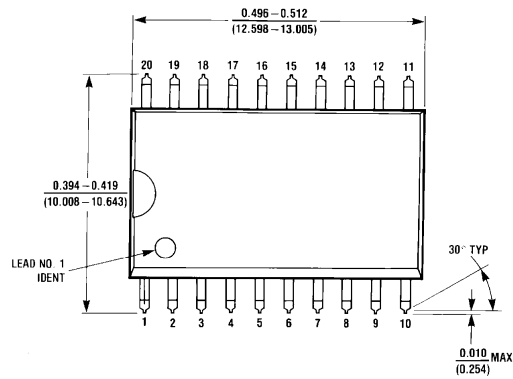
| Symbol | Parameter | 74F | | | 54F | | 74F | | Units |
|------------------|--|---|-----|-----|--|------|--|-----|-------|
| | | T _A = +25°C V _{CC} = +5.0V C _L = 50 pF | | | T _A , V _{CC} = Mil C _L = 50 pF | | T _A , V _{CC} = Com C _L = 50 pF | | |
| | | Min | Typ | Max | Min | Max | Min | Max | |
| t _{PLH} | Propagation Delay | 2.5 | 4.2 | 6.0 | 2.0 | 7.5 | 2.0 | 7.0 | ns |
| t _{PHL} | A _n to B _n or B _n to A _n | 2.5 | 4.2 | 6.0 | 2.0 | 7.5 | 2.0 | 7.0 | |
| t _{PZH} | Output Enable Time | 3.0 | 5.3 | 7.0 | 2.5 | 9.0 | 2.5 | 8.0 | ns |
| t _{PZL} | | 3.5 | 6.0 | 8.0 | 3.0 | 10.0 | 3.0 | 9.0 | |
| t _{PHZ} | Output Disable Time | 2.0 | 5.0 | 6.5 | 2.0 | 9.0 | 2.0 | 7.5 | ns |
| t _{PLZ} | | 2.0 | 5.0 | 6.5 | 2.0 | 10.0 | 2.0 | 7.5 | |

Ordering Information

The device number is used to form part of a simplified purchasing code where the package type and temperature range are defined as follows:

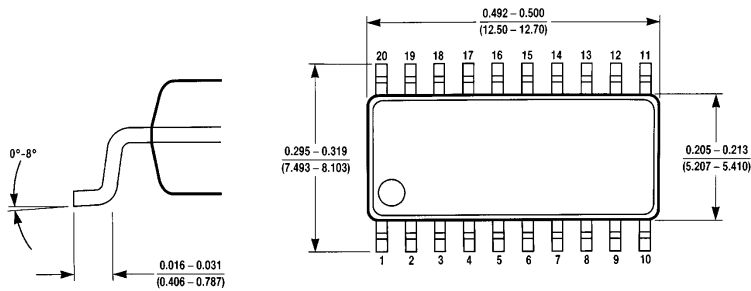


Physical Dimensions inches (millimeters) (Continued)

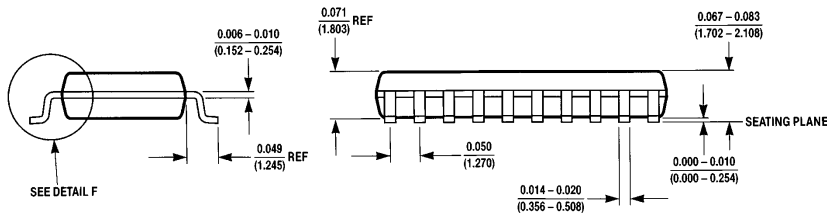


M20B (REV F)

**20-Lead (0.300" Wide) Molded Small Outline Package, JEDEC (S)
NS Package Number M20B**



DETAIL F

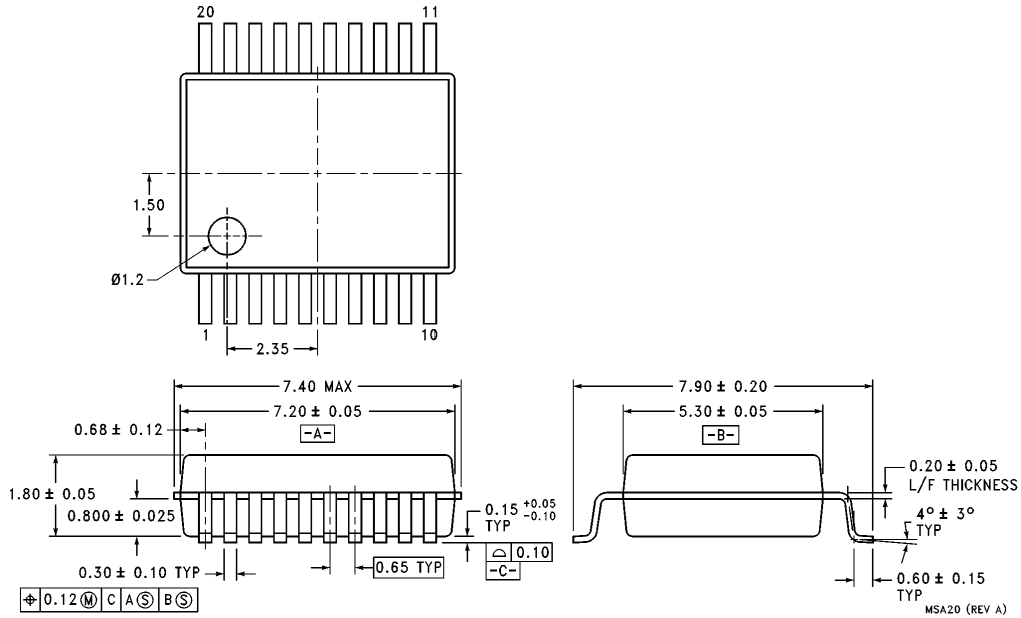


SEE DETAIL F

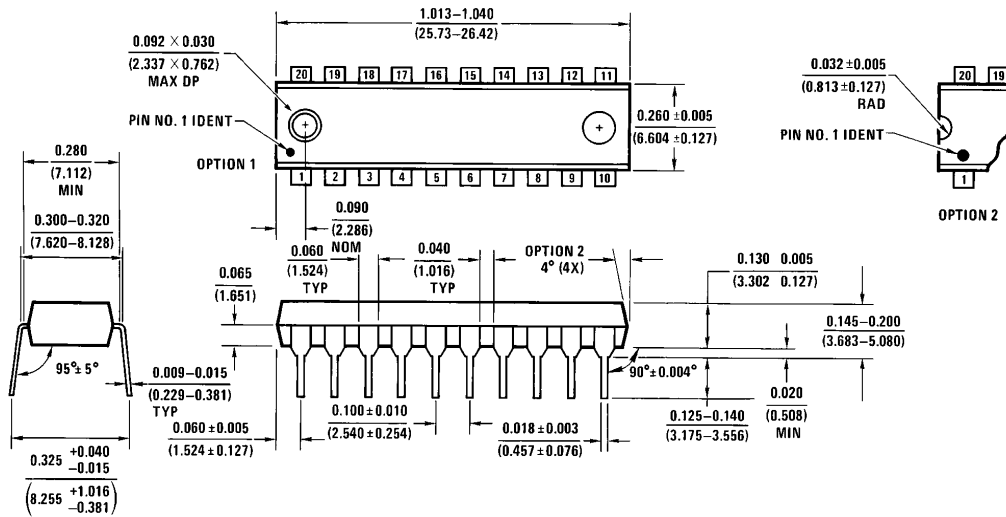
M20D (REV A)

**20-Lead (0.300" Wide) Molded Small Outline Package, EIAJ (SJ)
NS Package Number M20D**

Physical Dimensions inches (millimeters) (Continued)

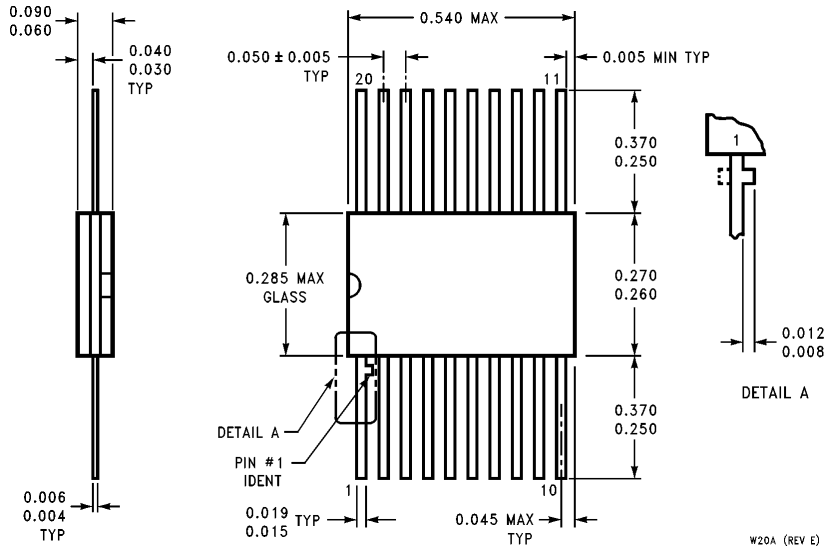


20-Lead Molded Shrink Small Outline Package, EIAJ, Type II (MSA)
NS Package Number MSA20



20-Lead Molded (0.300" Wide) Dual-In-Line Package (P)
NS Package Number N20A

Physical Dimensions inches (millimeters) (Continued)



**20-Lead Ceramic Flatpak (F)
NS Package Number W20A**

W20A (REV E)

LIFE SUPPORT POLICY

NATIONAL'S PRODUCTS ARE NOT AUTHORIZED FOR USE AS CRITICAL COMPONENTS IN LIFE SUPPORT DEVICES OR SYSTEMS WITHOUT THE EXPRESS WRITTEN APPROVAL OF THE PRESIDENT OF NATIONAL SEMICONDUCTOR CORPORATION. As used herein:

1. Life support devices or systems are devices or systems which, (a) are intended for surgical implant into the body, or (b) support or sustain life, and whose failure to perform, when properly used in accordance with instructions for use provided in the labeling, can be reasonably expected to result in a significant injury to the user.
2. A critical component is any component of a life support device or system whose failure to perform can be reasonably expected to cause the failure of the life support device or system, or to affect its safety or effectiveness.



National Semiconductor Corporation
2900 Semiconductor Drive
P.O. Box 58090
Santa Clara, CA 95052-8090
Tel: 1(800) 272-9959
TWX: (910) 339-9240

National Semiconductor GmbH
Livry-Gargan-Str. 10
D-82256 Fürstenfeldbruck
Germany
Tel: (81-41) 35-0
Telex: 527849
Fax: (81-41) 35-1

National Semiconductor Japan Ltd.
Sumitomo Chemical
Engineering Center
Bldg. 7F
1-7-1, Nakase, Mihama-Ku
Chiba-City,
Chiba Prefecture 261
Tel: (043) 299-2300
Fax: (043) 299-2500

National Semiconductor Hong Kong Ltd.
13th Floor, Straight Block,
Ocean Centre, 5 Canton Rd.
Tsimshatsui, Kowloon
Hong Kong
Tel: (852) 2737-1600
Fax: (852) 2736-9960

National Semicondutores Do Brazil Ltda.
Rue Deputado Lacorda Franco
120-3A
Sao Paulo-SP
Brazil 05418-000
Tel: (55-11) 212-5066
Telex: 391-1131931 NSBR BR
Fax: (55-11) 212-1181

National Semiconductor (Australia) Pty. Ltd.
Building 16
Business Park Drive
Monash Business Park
Nottingham, Melbourne
Victoria 3168 Australia
Tel: (3) 558-9999
Fax: (3) 558-9998

National does not assume any responsibility for use of any circuitry described, no circuit patent licenses are implied and National reserves the right at any time without notice to change said circuitry and specifications.