

REVISIONS					
REV	DATE	DESCRIPTION	ECN	APP'D	CHK'D
H2	09APR15	REVISED	ECR-15-005364	KF	RK
H3	16MAR2017	REVISED	ECR-16-003439	KF	TK
H4	23OC12017	REVISED	ECR-16-007071	DM	TK
H5	15NOV2022	REVISED PER ECR-22-154015		RK	MT

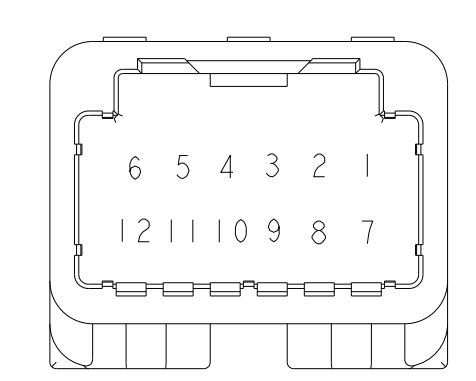
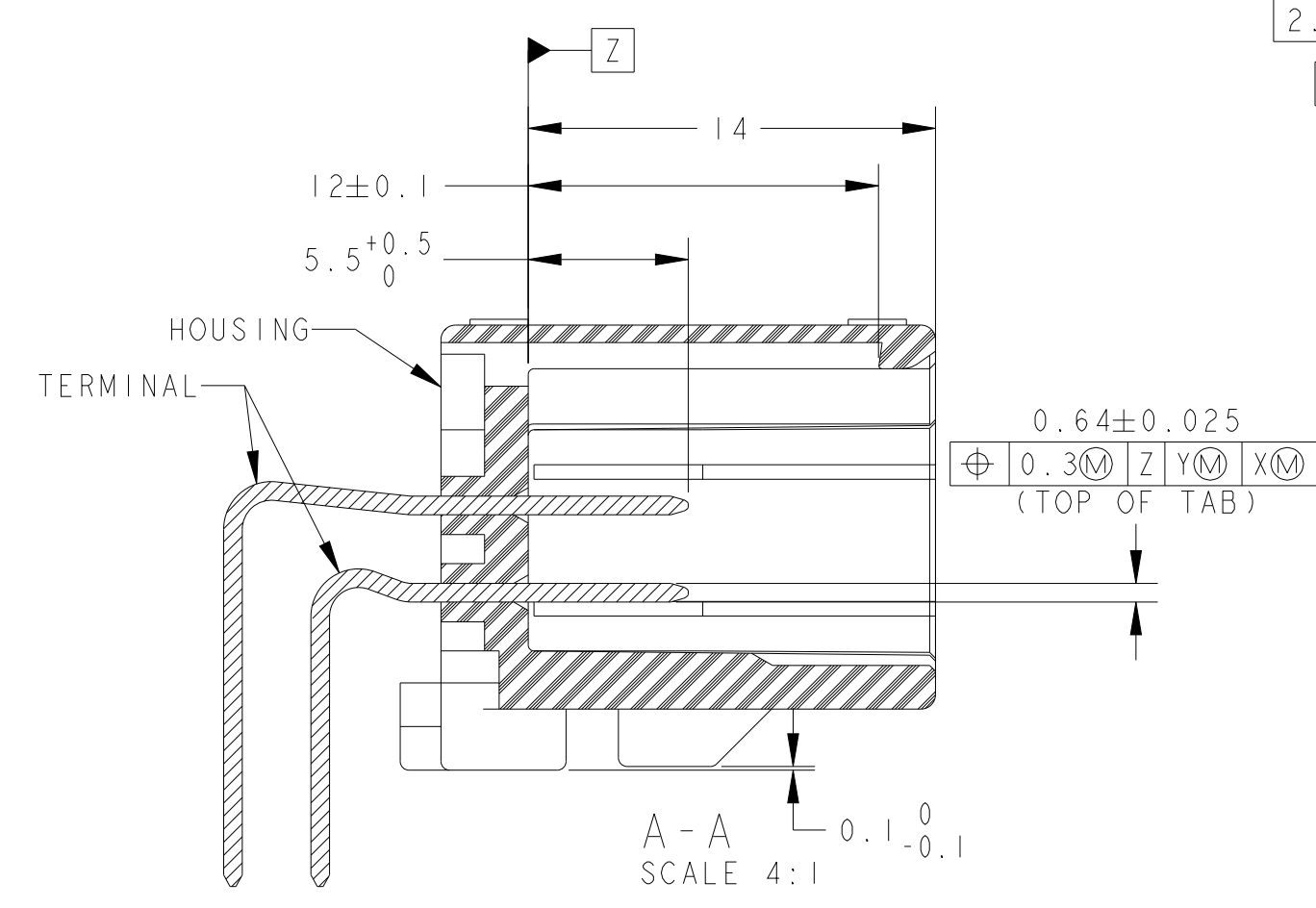
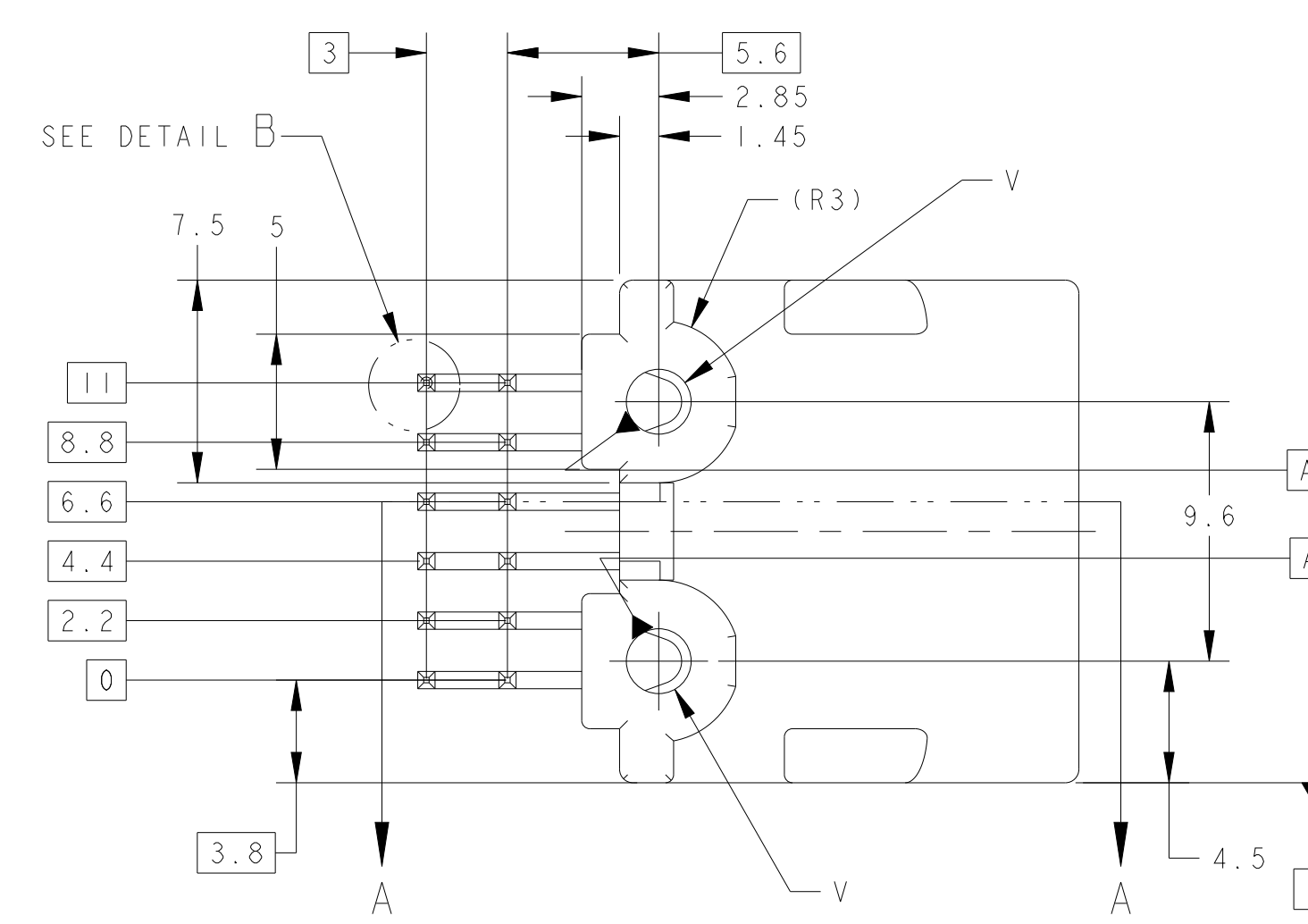
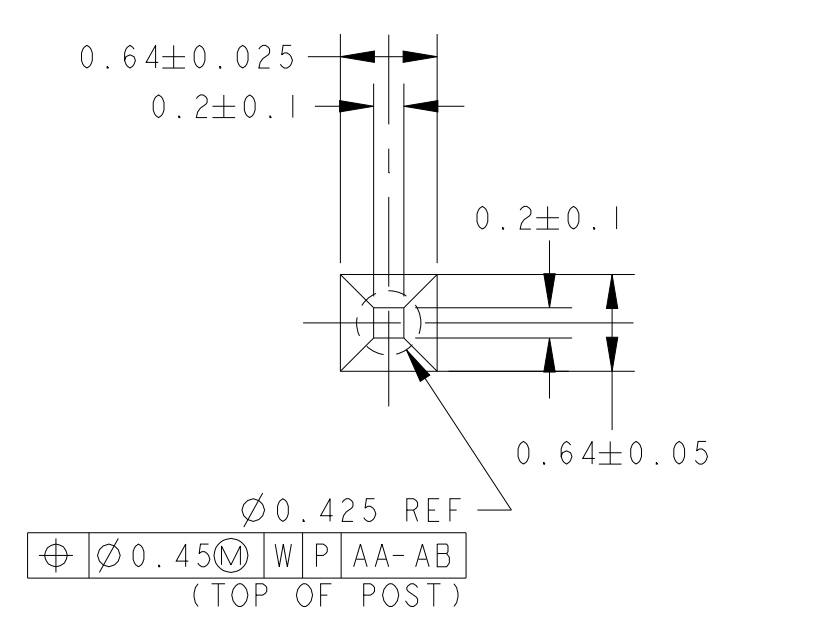
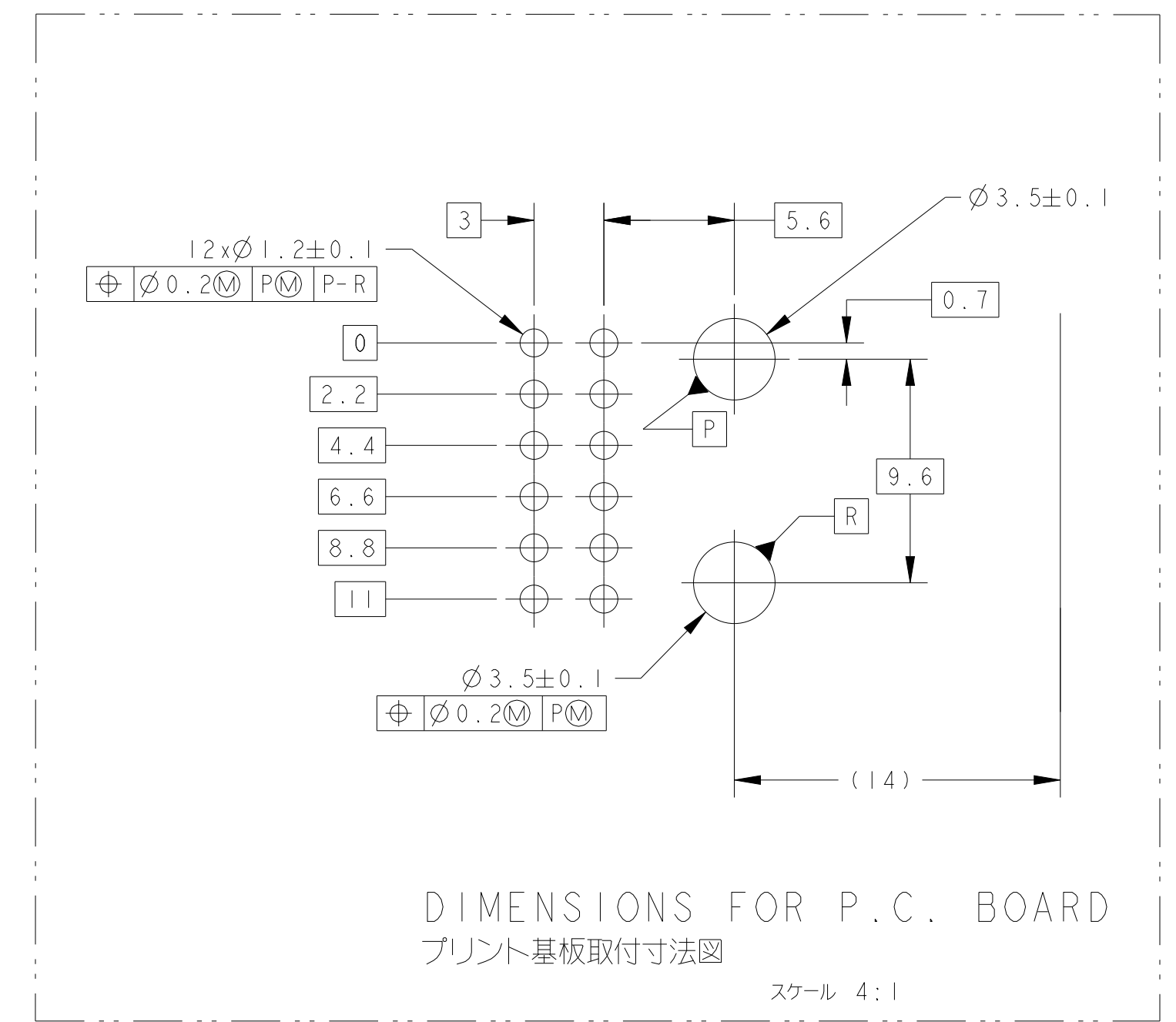
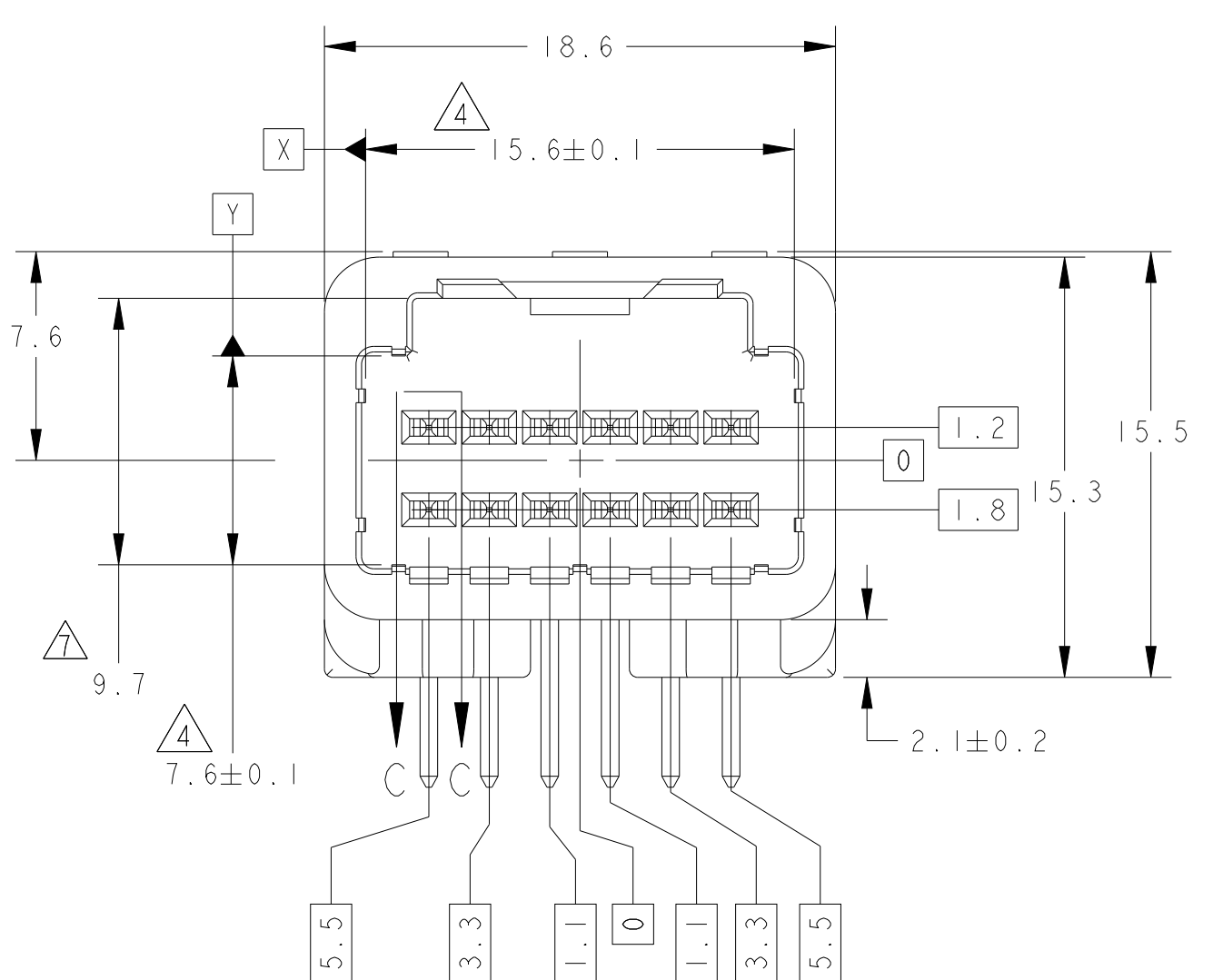
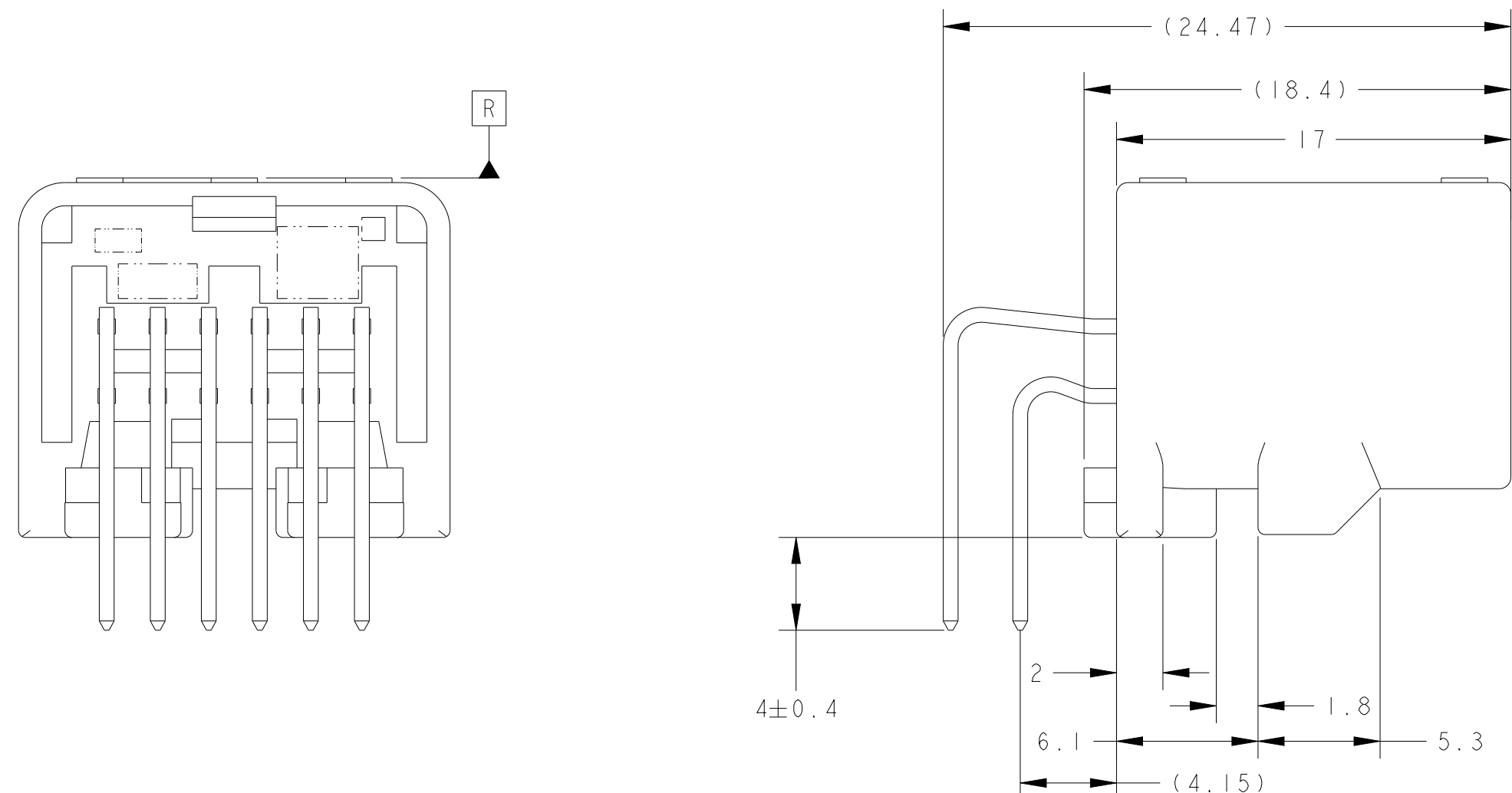
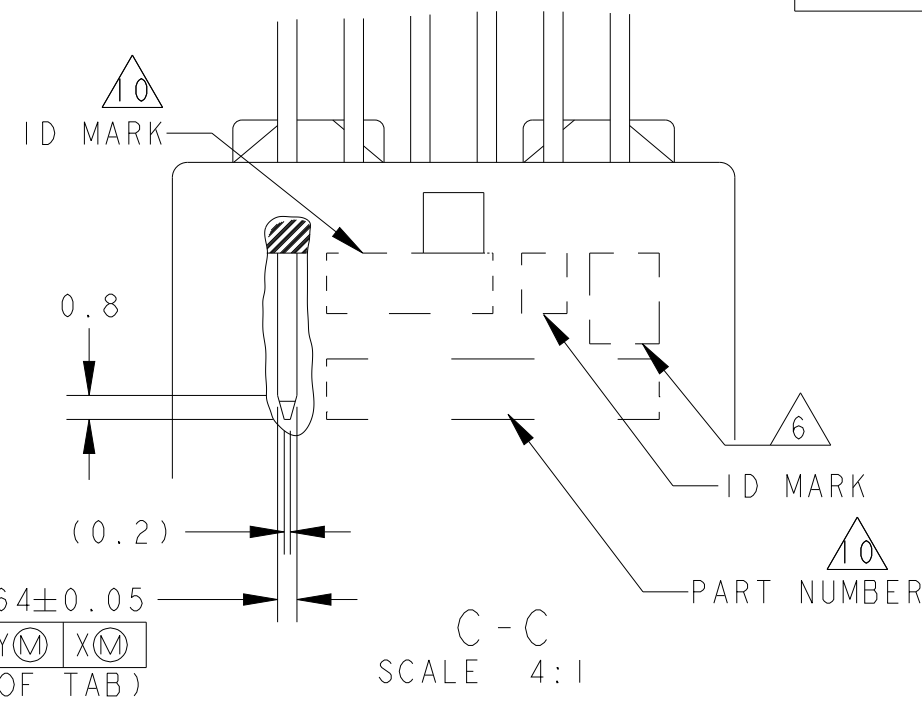


TABLE -1

POS 種類	PLUG HOUSING PART NO	プラグハウジング 型番
12	1318774	
	1376675	
	1717106	
	1746872	

POS	種類	規格	径	材質	構造	回路番号	表面処理	鍍金	基板	色	部品番号
14	OBSOLETE	3.7	∅2.4	CARTON BOX	PLASTIC TUBE	1~5, 7~11	SELECTIVE TIN (MATTE)	SELECTIVE TIN (BRIGHT)	PBT GF15	NATURAL	2-1318772-9
62		3.7	∅2.4	CARTON BOX	PLASTIC TUBE	6, 12	SELECTIVE TIN (MATTE)	SELECTIVE GOLD	PBT GF15	NATURAL	6318772-6
12	OBSOLETE	3.2	∅2.63	CARTON BOX	PLASTIC TUBE	1~12	SELECTIVE TIN (MATTE)	SELECTIVE GOLD	SPS GF17	BLACK	2-1318772-4
11	OBSOLETE	3.7	∅2.4	PLASTIC BOX	PLASTIC TUBE	1~9, 11, 12	SELECTIVE TIN (MATTE)	SELECTIVE GOLD	PBT GF15	BLACK	2-1318772-3
10		3.7	∅2.4	CARTON BOX	PLASTIC TUBE	1~12	SELECTIVE TIN (MATTE)	SELECTIVE TIN (BRIGHT)	PBT GF15	NATURAL	2-1318772-2
62		3.7	∅2.4	CARTON BOX	PLASTIC TUBE	1~12	SELECTIVE TIN (MATTE)	SELECTIVE GOLD	PBT GF15	BLACK	6318772-5
62	OBSOLETE	3.7	∅2.4	PLASTIC BOX	PLASTIC TUBE	1~12	SELECTIVE TIN (MATTE)	SELECTIVE GOLD	PBT GF15	BLACK	6318772-4
62		3.7	∅2.4	PLASTIC BOX	PLASTIC TUBE	1~12	SELECTIVE TIN (MATTE)	SELECTIVE GOLD	PBT GF15	NATURAL	6318772-3
10		3.7	∅2.4	CARTON BOX	PLASTIC TUBE	1~12	SELECTIVE TIN (MATTE)	SELECTIVE TIN (BRIGHT)	PBT GF15	BLACK	2-1318772-1
10		3.7	∅2.4	PLASTIC BOX	PLASTIC TUBE	1~12	SELECTIVE TIN (MATTE)	SELECTIVE TIN (BRIGHT)	PBT GF15	BLACK	2-1318772-0
8		3.2	∅2.63	CARTON BOX	PLASTIC TUBE	1~12	SELECTIVE TIN (MATTE)	SELECTIVE GOLD	SPS GF17	NATURAL	1-1318772-9
6		3.2	∅2.63	CARTON BOX	PLASTIC TUBE	1~12	SELECTIVE TIN (MATTE)	SELECTIVE TIN (BRIGHT)	SPS GF17	BLACK	1-1318772-8
6		3.2	∅2.63	PLASTIC BOX	PLASTIC TUBE	1~12	SELECTIVE TIN (MATTE)	SELECTIVE TIN (BRIGHT)	SPS GF17	BLACK	1-1318772-7
6		3.2	∅2.63	PLASTIC BOX	PLASTIC TUBE	1~12	SELECTIVE TIN (MATTE)	SELECTIVE TIN (BRIGHT)	SPS GF17	NATURAL	1-1318772-6
9		3.2	∅2.63	PLASTIC BOX	PLASTIC TUBE	1~9, 11, 12	SELECTIVE TIN (MATTE)	SELECTIVE GOLD	SPS GF17	BLACK	1-1318772-5
8		3.2	∅2.63	PLASTIC BOX	PLASTIC TUBE	1~12	SELECTIVE TIN (MATTE)	SELECTIVE GOLD	SPS GF17	NATURAL	1-1318772-4
6		3.2	∅2.63	CARTON BOX	PLASTIC TUBE	1~12	SELECTIVE TIN (MATTE)	SELECTIVE TIN (BRIGHT)	SPS GF17	NATURAL	1-1318772-3
5	OBSOLETE	3.7	∅2.4	PLASTIC BOX	PLASTIC TUBE	1~9, 11, 12	SELECTIVE TIN	SELECTIVE GOLD	PBT GF15	BLACK	1-1318772-2
4		3.7	∅2.4	CARTON BOX	PLASTIC TUBE	1~12	SELECTIVE TIN	SELECTIVE GOLD	PBT GF15	BLACK	1-1318772-0
4		3.7	∅2.4	CARTON BOX	PLASTIC TUBE	1~12	SELECTIVE TIN	SELECTIVE GOLD	PBT GF15	NATURAL	1318772-9
1	SUPERSEDED	3.7	∅2.4	PLASTIC BOX	PLASTIC TUBE	1~12	SELECTIVE TIN	PRE-TIN	PBT GF15	BLACK	1318772-7
2	OBSOLETE	3.7	∅2.4	CARTON BOX	PLASTIC TUBE	1~12	TIN LEAD	SELECTIVE GOLD	PBT GF15	NATURAL	1318772-6
2		3.7	∅2.4	PLASTIC BOX	PLASTIC TUBE	1~12	TIN-LEAD	SELECTIVE GOLD	PBT GF15	NATURAL	1318772-3
1		3.7	∅2.4	CARTON BOX	PLASTIC TUBE	1~12		PRE-TIN	PBT GF15	NATURAL	1318772-2
1		3.7	∅2.4	PLASTIC BOX	PLASTIC TUBE	1~12		PRE-TIN	PBT GF15	NATURAL	1318772-1
MARKING	WEIGHT (g)	v		OUTER 外装	INNER 内装	1~12	SOLDERING SIDE 半田付け側	CONTACT SIDE 接触部側	MATERIAL 材料	COLOR 色	PART NUMBER 部品番号
				PACKING STYLE 梱包形態		CIRCUIT NO. 回路番号	CONTACT FINISH 接触部仕上		HOUSING ハウジング		



1. 嵌合相手ハウジングは TABLE -1 参照
 プラグハウジングアセンブリと支障なく嵌合すること
 推奨トルクは、
 JIS B1115, B1122タッピングねじ
 なべの種、呼び径、長さはTABLE-2 参照
 3. ねじ締め付トルク (参考値) : 0.392N・m REF
1. PART NUMBER OF HOUSING TO BE MATE : SEE TABLE -1
 TO BE MATED SMOOTHLY WITH THE PLUG HOUSING ASSEMBLY
 2. RECOMMENDED SCREW :
 PAN-HEADED TYPE 2 TAPPING SCREW, NOMINAL DIAMETER 3mm
 LENGTH:SEE TABLE-2 (JIS B1115,B1122)
 3. FASTENING TORQUE FOR SCREW (FOR REFERENCE) : 0.392N・m REF
- △ Z 番から6mmの位置で測定
 5. 取扱い説明書 NO : 411-5928
- △ 6 コンタクト仕上識別記号 ; 表参照
 △ Z 番から2mmの位置で測定
 △ 8 試作の角量産されていない
 △ 9 ピン抜きアイテム、回路番号はFIG.1参照
 △ ID MARK ,PART NUMBER を表示
- △ MEASURED AT 6 mm FROM Z
 5. INSTRUCTION SHEET NO : 411-5928
- △ IDENTIFICATION MARK FOR THE CONTACT FINISH ; SEE TABLE
 △ MEASURED AT 2 mm FROM Z
 △ PRELIMINARY - NOT RELEASED FOR PRODUCTION.
 △ SEE FIG.1 FOR AVAILABLE CIRCUIT
 △ ID MARK ,PART NUMBER INDICATED

TABLE-2

プリント基板板厚 (mm)	THICKNESS OF PCB (mm)	1.2	1.6
固定用ねじ着下長さ (mm) <td>NOMINAL LENGTH OF SCREW (mm)</td> <td>5</td> <td>6</td>	NOMINAL LENGTH OF SCREW (mm)	5	6

THIS DRAWING IS A CONTROLLED DOCUMENT.

DIMENSIONS: 単位: mm

TOLERANCES UNLESS OTHERWISE SPECIFIED:
 公差: ±0.3
 0-PLC ±0.5
 1-PLC ±0.13
 2-PLC ±0.13
 3-PLC ±0.13
 4-PLC ±0.001
 ANGLES ±0.001
 FINISH ±0.001

MATERIAL CONTACT: BRASS HOUSING: SEE TABLE

SEE TABLE

OWNER: Y. NOGUCHI 07FEB00
 CHK: S. SHINDOU 07FEB00
 APVD: N. SAI 07FEB00

PRODUCT SPEC 108-5668
 APPLICATION SPEC 114-5250

WEIGHT: SEE TABLE

CUSTOMER DRAWING

TE Connectivity

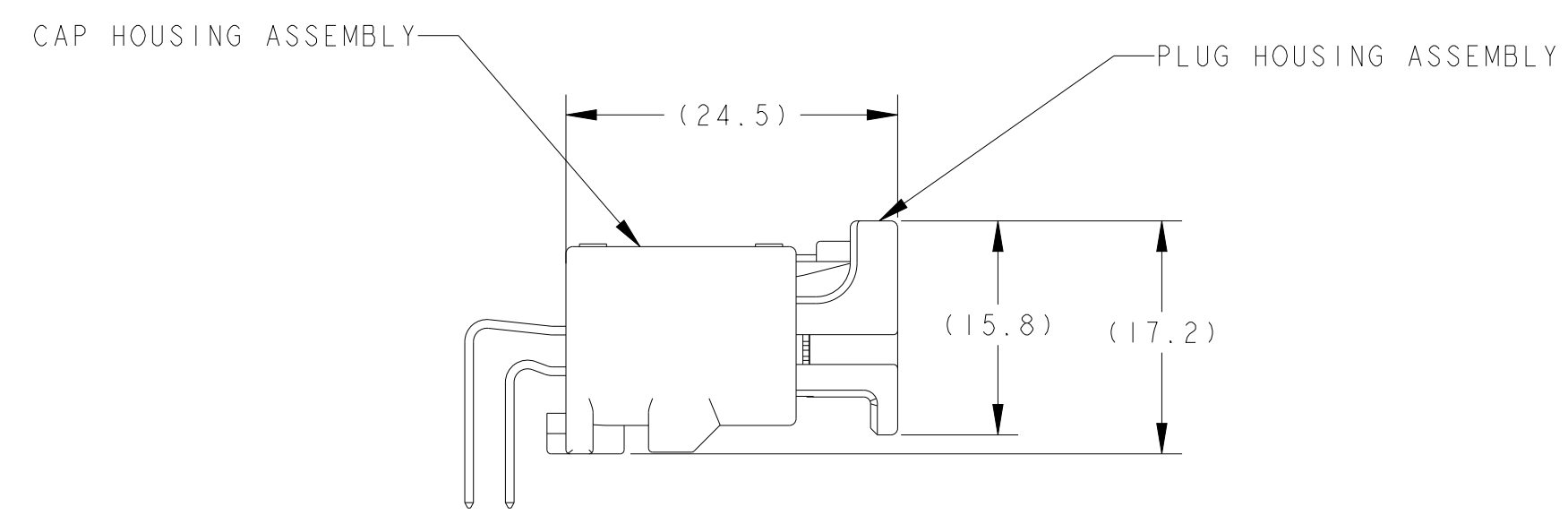
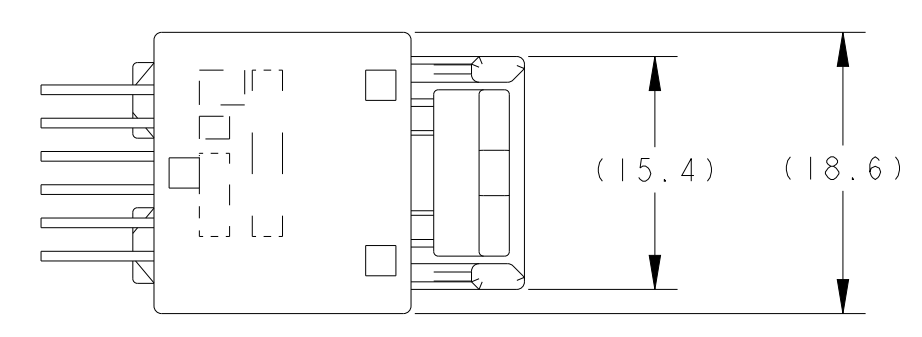
025 SERIES 12 POSITION (PCB H-TYPE) CAP HOUSING ASSEMBLY

SIZE: 114-5250
 CAGE CODE: 000779
 DRAWING NO: 1318772

RESTRICTED TO

1:1 SHEET 1 OF 2 REV H5

REVISIONS				
P	LTN	DESCRIPTION	DATE	APVD
-		SEE SHEET 1	-	-



CAP ASSEMBLY & PLUG ASSEMBLY ENGAGEMENT DRAWING
 キャップアッセンブリ & プラグアッセンブリ 嵌合図

THIS DRAWING IS A CONTROLLED DOCUMENT.		DWN Y. NOGUCHI 07FEB00																															
		CHK S. SHINDOU 07FEB00																															
DIMENSIONS: 単位: ㎜	TOLERANCES UNLESS OTHERWISE SPECIFIED:	APVD N. SAI 07FEB00	NAME SAI																														
<table border="1"> <tr><td>0</td><td>PLC</td><td>±0.5</td></tr> <tr><td>1</td><td>PLC</td><td>±0.5</td></tr> <tr><td>2</td><td>PLC</td><td>±0.13</td></tr> <tr><td>3</td><td>PLC</td><td>±0.013</td></tr> <tr><td>4</td><td>PLC</td><td>±0.0001</td></tr> </table>	0	PLC	±0.5	1	PLC	±0.5	2	PLC	±0.13	3	PLC	±0.013	4	PLC	±0.0001	<table border="1"> <tr><td>0</td><td>PLC</td><td>±0.5</td></tr> <tr><td>1</td><td>PLC</td><td>±0.5</td></tr> <tr><td>2</td><td>PLC</td><td>±0.13</td></tr> <tr><td>3</td><td>PLC</td><td>±0.013</td></tr> <tr><td>4</td><td>PLC</td><td>±0.0001</td></tr> </table>	0	PLC	±0.5	1	PLC	±0.5	2	PLC	±0.13	3	PLC	±0.013	4	PLC	±0.0001	PRODUCT SPEC 108-5668 APPLICATION SPEC 114-5250	SIZE CAGE CODE DRAWING NO A 00779 C=1318772
0	PLC	±0.5																															
1	PLC	±0.5																															
2	PLC	±0.13																															
3	PLC	±0.013																															
4	PLC	±0.0001																															
0	PLC	±0.5																															
1	PLC	±0.5																															
2	PLC	±0.13																															
3	PLC	±0.013																															
4	PLC	±0.0001																															
MATERIAL 材質	FINISH 仕上	WEIGHT SEE TABLE	RESTRICTED TO -																														
SEE TABLE		CUSTOMER DRAWING	SCALE 2:1 SHEET 2 OF 2 REV H5																														