

回路番号1マーク
CIRCUIT NO.1 MARK

注)
NOTE

1. 嵌合相手:201647シリーズ
MATE WITH:201647 SERIES.

△2 製品番号 MATERIAL NO.

201648 0** *

極数
CIRCUIT SIZE

色
COLOR

NO.	COLOR
0	NATURAL
1	BLACK
2	RED
3	YELLOW
4	BLUE

△3 偶数極に適用

APPLY FOR CKT SIZE EQUAL EVEN.

4. 端子テール部及びネイルの平坦度は0.12MAX.とする。
TAIL AND NAIL COPLANARITY TO BE 0.12 MAX.

4	3.00	17.85	22.50	25.65	28.60	201648016*	16
3	8.25	17.85	21.00	24.15	27.10	201648015*	15
3	7.50	17.85	19.50	22.65	25.60	201648014*	14
3	6.75	12.00	18.00	21.15	24.10	201648013*	13
3	6.00	12.00	16.50	19.65	22.60	201648012*	12
2	5.25	12.00	15.00	18.15	21.10	201648011*	11
2	4.50	12.00	13.50	16.65	19.60	201648010*	10
2	3.75	8.50	12.00	15.15	18.10	201648009*	9
2	3.00	8.50	10.50	13.65	16.60	201648008*	8
1	-	8.50	9.00	12.15	15.10	201648007*	7
1	-	5.55	7.50	10.65	13.60	201648006*	6
1	-	5.55	6.00	9.15	12.10	201648005*	5
1	-	5.55	4.50	9.00	12.10	201648004*	4
1	-	4.20	3.00	7.50	10.60	201648003*	3
1	-	2.90	1.50	6.00	9.10	201648002*	2
NAIL QTY	E	D	C	B	A	オーダー番号 ORDER NO.	極数 CKT NO.

部品 PART	材質 MATERIAL	
ハウジング HOUSING	ポリアミド(PA), ガラス充填, UL94V-0, 色: 注記参照 POLYAMIDE(PA), GLASS FILLED, UL94V-0, COLOR: SEE NOTE	
ターミナル TERMINAL	黄銅 BRASS	前めっき PRE-PLATED
	錫めっき (リフロー処理), 1.0µm以上 TIN PLATED (HEAT TREATED MATTE TIN), 1.0µm MIN. ニッケルめっき(下地), 0.5µm以上 NICKEL (UNDER-PLATED), 0.5µm MIN.	
ネイル NAIL	黄銅 BRASS	
	無光沢錫めっき, 1.0µm以上 MATTE TIN, 1.0µm MIN.	
	ニッケルめっき(下地), 1.0µm以上 NICKEL (UNDER-PLATED), 1.0µm MIN.	

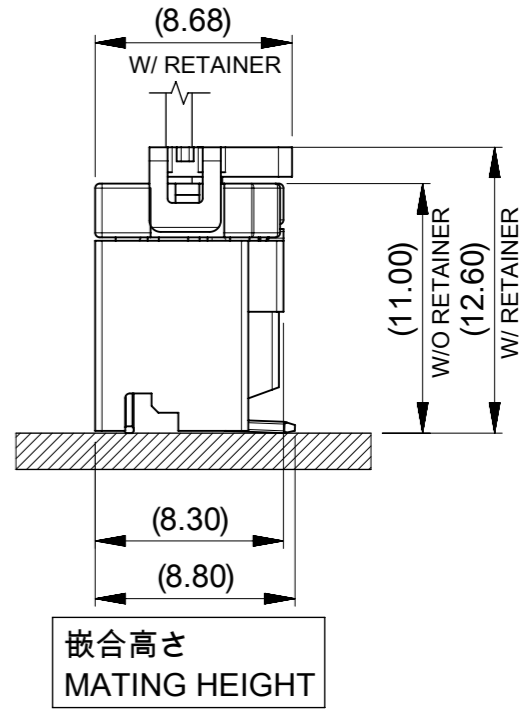
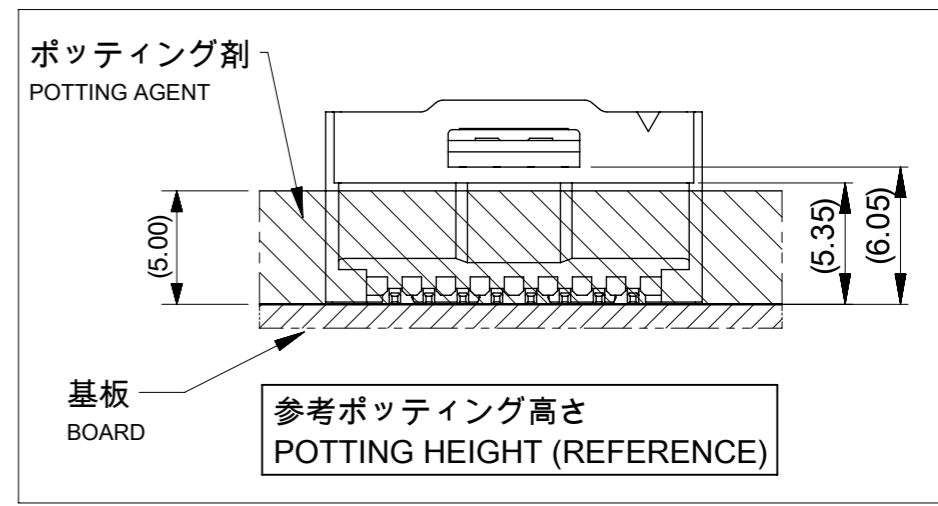
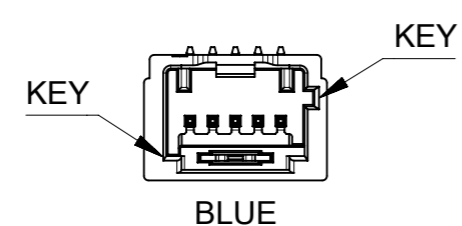
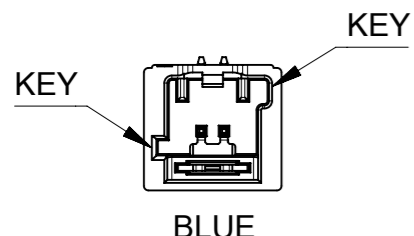
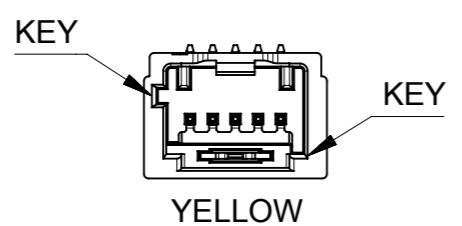
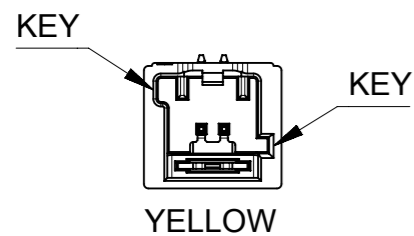
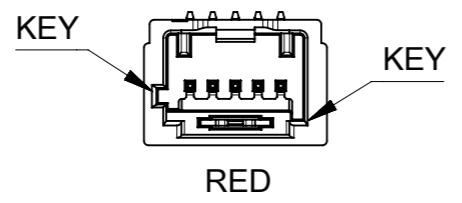
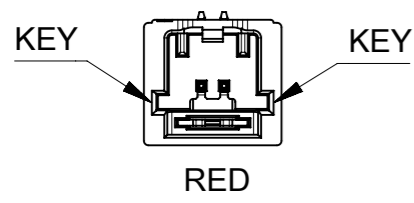
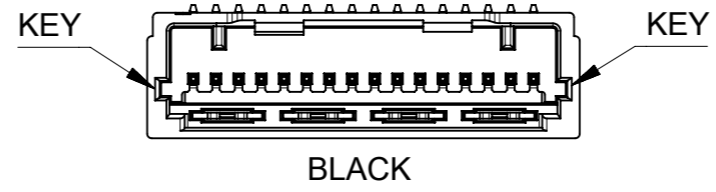
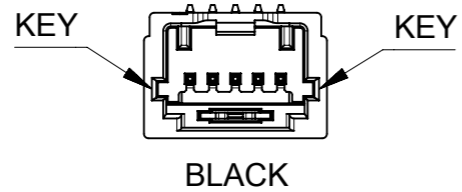
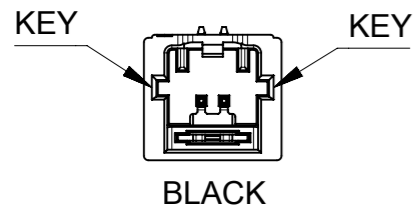
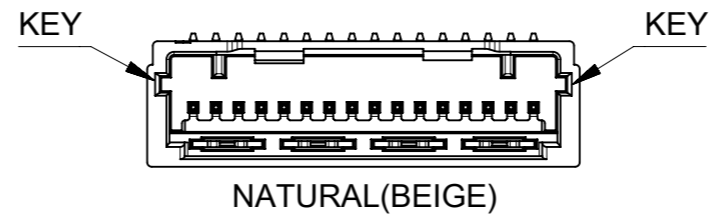
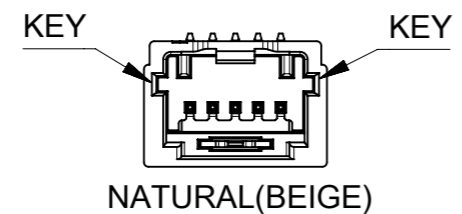
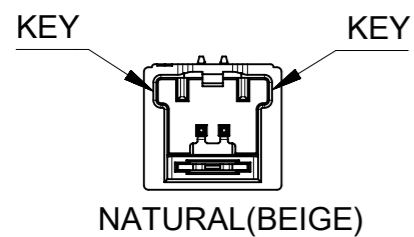
THIS DRAWING CONTAINS INFORMATION THAT IS PROPRIETARY TO MOLEX ELECTRONIC TECHNOLOGIES, LLC AND SHOULD NOT BE USED WITHOUT WRITTEN PERMISSION

DIMENSION UNITS mm	SCALE 3:1	CURRENT REV DESC: PROPOSED		molex							
GENERAL TOLERANCES (UNLESS SPECIFIED)		EC NO: 175979					SPOT-ON 1.5 SINGLE PLUG ASSY				
ANGULAR TOL ± 3.0°	4 PLACES ± 0.2	DRWN: MIKEDA01	2017/06/28	PRODUCT CUSTOMER DRAWING							
3 PLACES ± 0.2	2 PLACES ± 0.2	CHK'D: AIDA	2018/05/16	DOCUMENT NUMBER							
1 PLACE ± 0.2	0 PLACES ± 0.2	APPR: TKANEKO	2018/05/17	2016480001							
DRAFT WHERE APPLICABLE MUST REMAIN WITHIN DIMENSIONS		THIRD ANGLE PROJECTION		DRAWING A3-SIZE	SERIES 201648	MATERIAL NUMBER 2016480***	CUSTOMER GENERAL	DOC TYPE PSD	DOC PART 000	REVISION B	SHEET NUMBER 1 OF 4

2~4極
2~4CKT

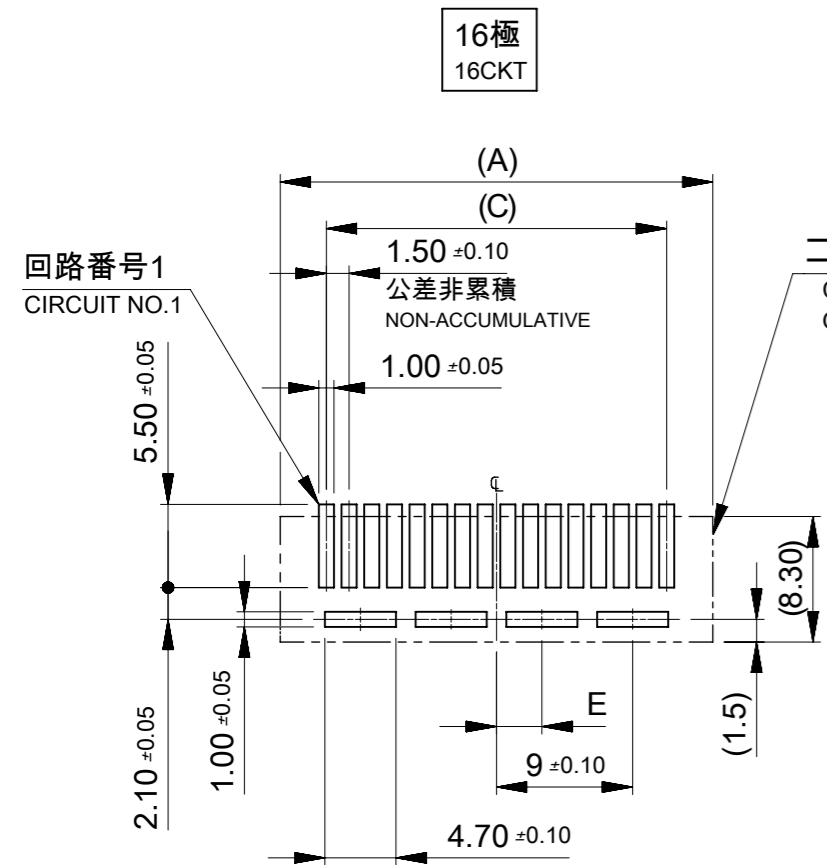
5極
5CKT

6~16極
6~16CKT



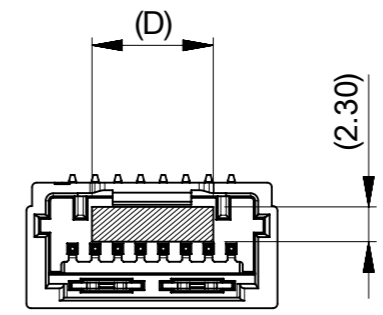
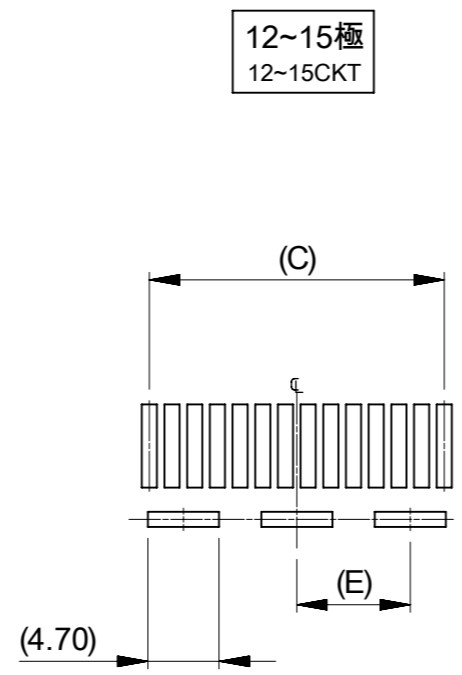
色によるキー位置違い
COLOR VS KEY POSITION

THIS DRAWING CONTAINS INFORMATION THAT IS PROPRIETARY TO MOLEX ELECTRONIC TECHNOLOGIES, LLC AND SHOULD NOT BE USED WITHOUT WRITTEN PERMISSION									
DIMENSION UNITS		SCALE		CURRENT REV DESC: PROPOSED				molex	
mm		2:1							
GENERAL TOLERANCES (UNLESS SPECIFIED)									
ANGULAR TOL		± 3.0 °		EC NO: 175979					
4 PLACES		± 0.2		DRWN: MIKEDA01		2017/06/28		SPOT-ON 1.5 SINGLE PLUG ASSY	
3 PLACES		± 0.2		CHK'D: AIDA		2018/05/16		PRODUCT CUSTOMER DRAWING	
2 PLACES		± 0.2		APPR: TKANEKO		2018/05/17		DOCUMENT NUMBER	
1 PLACE		± 0.2		INITIAL REVISION:				2016480001	
0 PLACES		± 0.2		DRWN: MIKEDA01		2017/02/09		DOC TYPE	
				APPR: TKANEKO		2017/02/15		PSD	
DRAFT WHERE APPLICABLE MUST REMAIN WITHIN DIMENSIONS		THIRD ANGLE PROJECTION		DRAWING		SERIES		MATERIAL NUMBER	
		A3-SIZE		201648		2016480***		CUSTOMER	
								GENERAL	
								SHEET NUMBER	
								2 OF 4	

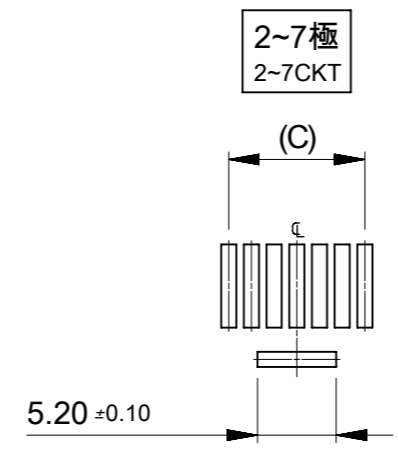
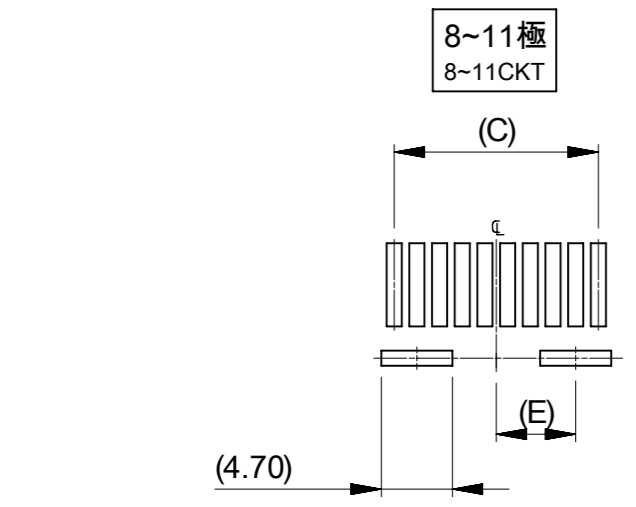


コネクタ外形
CONNECTOR
OUTLINE

ロック側
LOCK SIDE



吸着範囲
VACCUME AREA



推奨基板パターンレイアウト
RECOMMENDED PCB PATTERN LAYOUT

メタルマスク厚 : 0.15
METAL MASK THICKNESS: 0.15

開口率 : 100%
APARTURE RATIO: 100%

BLUE	YELLOW	RED	BLACK	NATURAL (BEIGE)	HOUSING COLOR
-	-	-	2016480161	2016480160	16
-	-	-	2016480151	2016480150	15
-	-	-	2016480141	2016480140	14
-	-	-	2016480131	2016480130	13
-	-	-	2016480121	2016480120	12
-	-	-	2016480111	2016480110	11
-	-	-	2016480101	2016480100	10
-	-	-	2016480091	2016480090	9
-	-	-	2016480081	2016480080	8
-	-	-	2016480071	2016480070	7
-	-	-	2016480061	2016480060	6
2016480054	2016480053	2016480052	2016480051	2016480050	5
2016480044	2016480043	2016480042	2016480041	2016480040	4
2016480034	2016480033	2016480032	2016480031	2016480030	3
2016480024	2016480023	2016480022	2016480021	2016480020	2

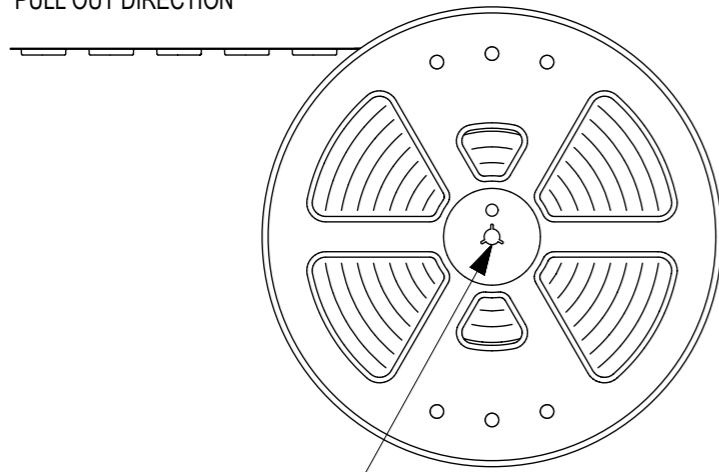
エンボステープ梱包
EMBOSSSED TAPE PKG

△ オーダー番号
ORDER NO.

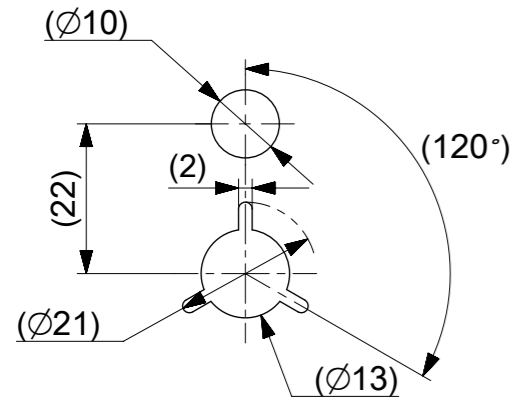
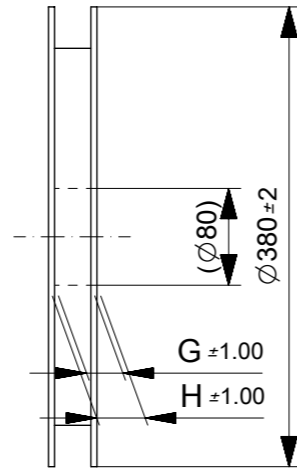
極数
CKT NO.

THIS DRAWING CONTAINS INFORMATION THAT IS PROPRIETARY TO MOLEX ELECTRONIC TECHNOLOGIES, LLC AND SHOULD NOT BE USED WITHOUT WRITTEN PERMISSION									
DIMENSION UNITS	SCALE	CURRENT REV DESC: PROPOSED							
mm	2:1	molex							
GENERAL TOLERANCES (UNLESS SPECIFIED)									
ANGULAR TOL	± 3.0 °	SPOT-ON 1.5 SINGLE PLUG ASSY							
4 PLACES	± 0.2	PRODUCT CUSTOMER DRAWING							
3 PLACES	± 0.2	DOCUMENT NUMBER							
2 PLACES	± 0.2	2016480001							
1 PLACE	± 0.2	DOC TYPE							
0 PLACES	± 0.2	PSD							
DRAFT WHERE APPLICABLE MUST REMAIN WITHIN DIMENSIONS		THIRD ANGLE PROJECTION	DRAWING	SERIES	MATERIAL NUMBER	CUSTOMER	SHEET NUMBER		
			A3-SIZE	201648	2016480***	GENERAL	3 OF 4		

引き出し方向
PULL OUT DIRECTION

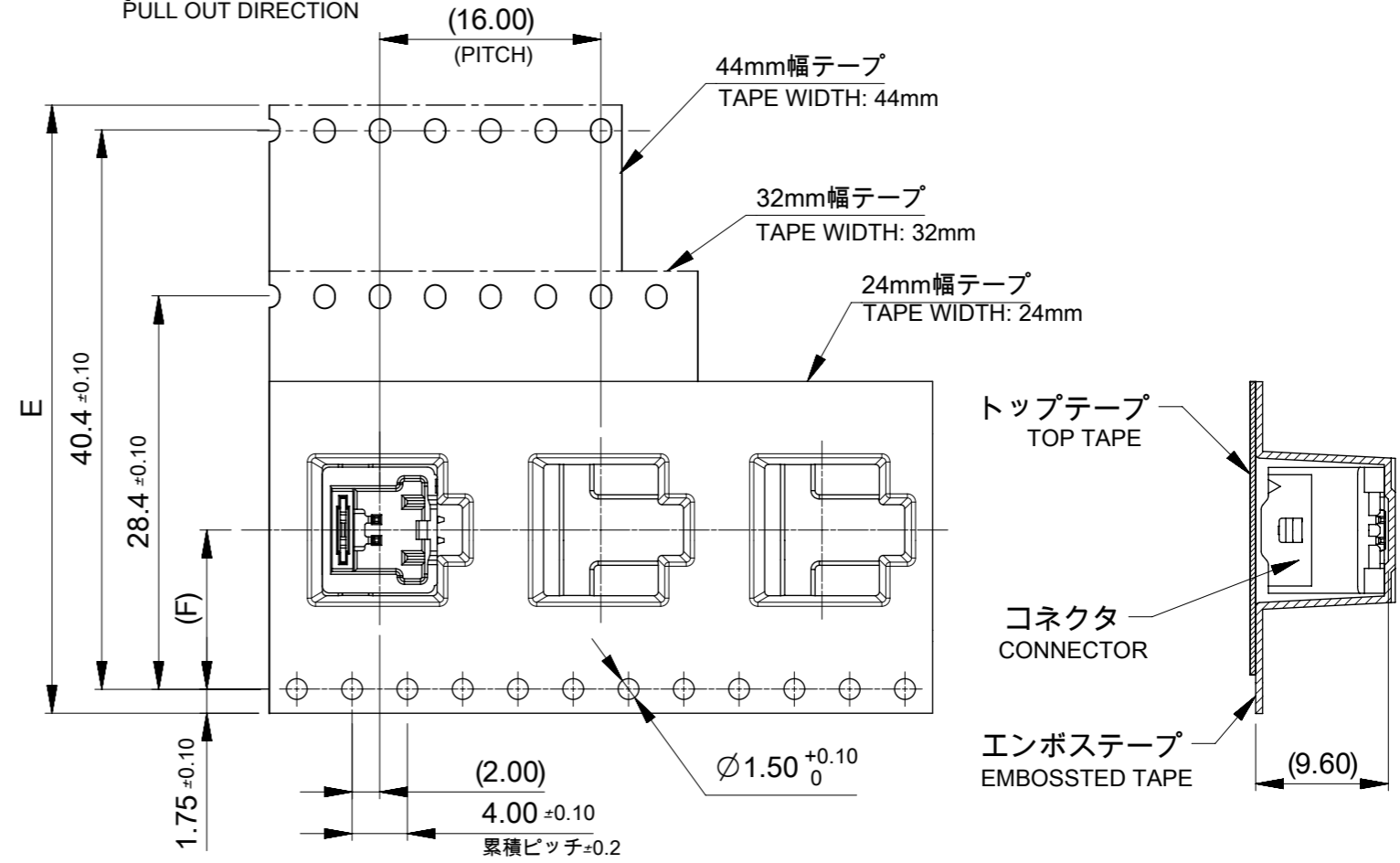


"J"



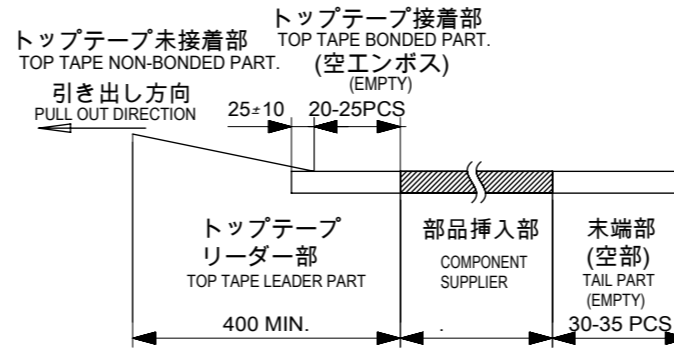
DETAIL "J"

引出方向
PULL OUT DIRECTION



NOTES

- 梱包数量 : 590個 / リール
NUMBER OF CONNECTORS : 590 PCS/REEL.
- リードテープ長さ
LEAD TAPE LENGTH.



- 材料
キャリアテープ : ポリスチレン(PS)、その他
トップテープ : ポリエステル(PET)、その他
リール : ポリスチレン(PS)リサイクル材を含む
MATERIALS
CARRIER TAPE : POLYSTYRENE(PS), OTHER
TOP TAPE : POLYESTER(PET), OTHER
REEL : POLYSTYRENE(PS) RECYCLE MATERIAL CONTAINED

DO NOT RELEASE
REFERENCE
USE ONLY

B	48.4	44.4	20.2	44 ± 0.3	201648160*	16
					201648150*	15
					201648140*	14
					201648130*	13
					201648120*	12
					201648110*	11
	36.4	32.4	14.2	32 ± 0.3	201648100*	10
					201648090*	9
					201648080*	8
					201648070*	7
28.4	24.4	11.5	24 ^{+0.3} _{-0.1}	201648060*	6	
				201648050*	5	
				201648040*	4	
				201648030*	3	
					201648020*	2
H	G	F	E	エンボステープ幅 WIDTH OF TAPE	エンボステープ梱包 EMBOSSSED TAPE PKG	極数 CKT NO.
				オーダー番号 ORDER NO.		

THIS DRAWING CONTAINS INFORMATION THAT IS PROPRIETARY TO MOLEX ELECTRONIC TECHNOLOGIES, LLC AND SHOULD NOT BE USED WITHOUT WRITTEN PERMISSION

DIMENSION UNITS mm	SCALE 2:1	CURRENT REV DESC: PROPOSED		molex		
GENERAL TOLERANCES (UNLESS SPECIFIED)		EC NO: 175979				
ANGULAR TOL ± 3.0 °	4 PLACES ± 0.2	DRWN: MIKEDA01	2017/06/28	PRODUCT CUSTOMER DRAWING		
3 PLACES ± 0.2	2 PLACES ± 0.2	CHK'D: AIDA	2018/05/16	DOCUMENT NUMBER		
1 PLACE ± 0.2	0 PLACES ± 0.2	APPR: TKANEKO	2018/05/17	2016480001		
DRAFT WHERE APPLICABLE MUST REMAIN WITHIN DIMENSIONS		THIRD ANGLE PROJECTION		DRAWING A3-SIZE	SERIES 201648	MATERIAL NUMBER 2016480***
				CUSTOMER GENERAL	SHEET NUMBER 4 OF 4	