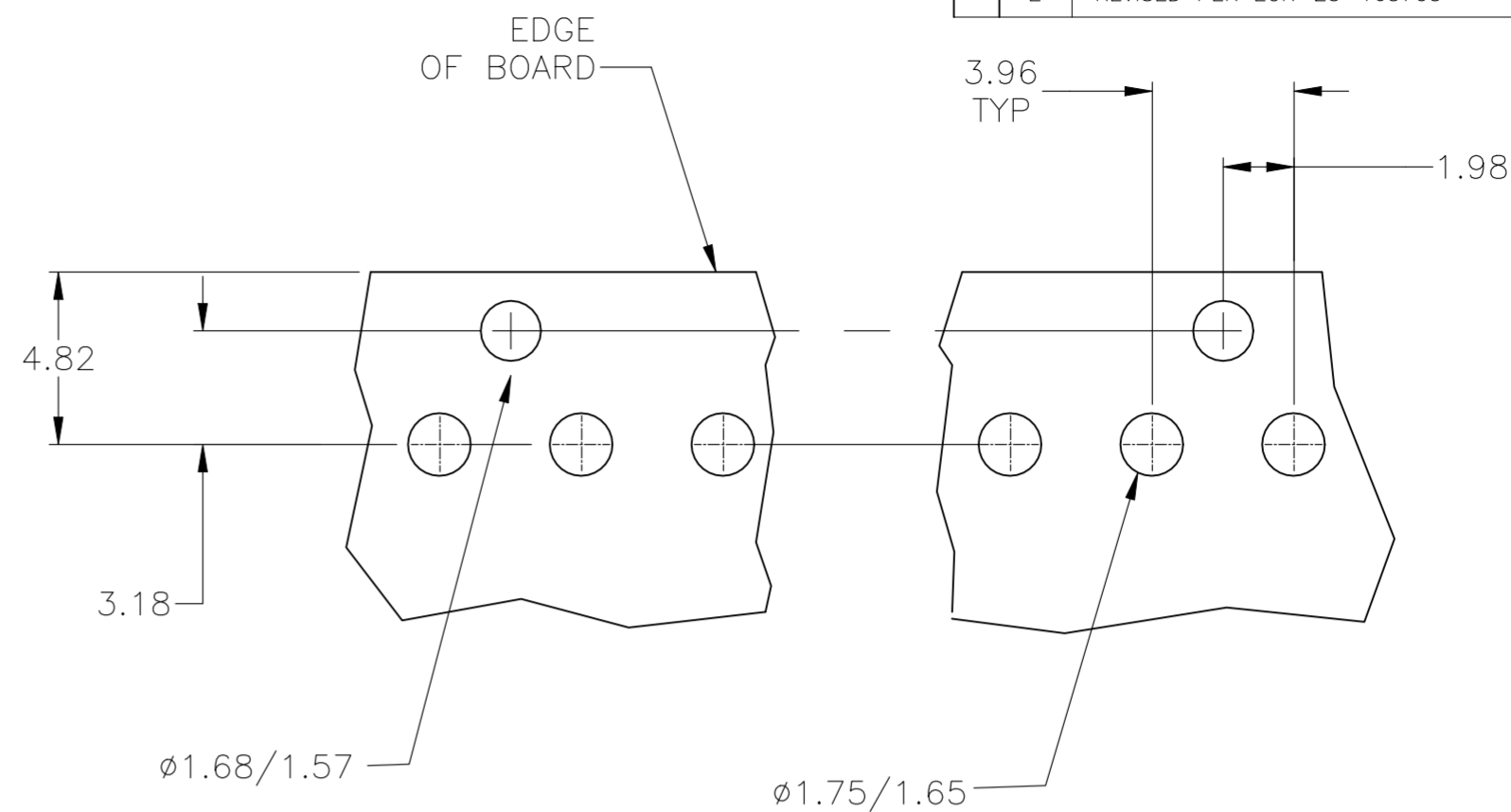
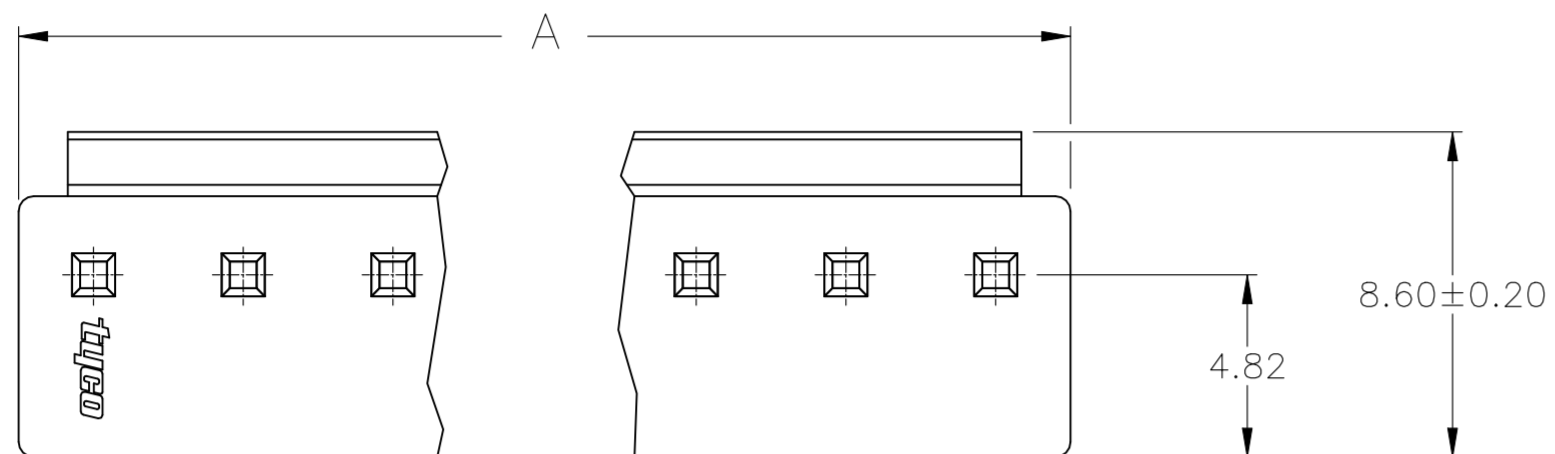
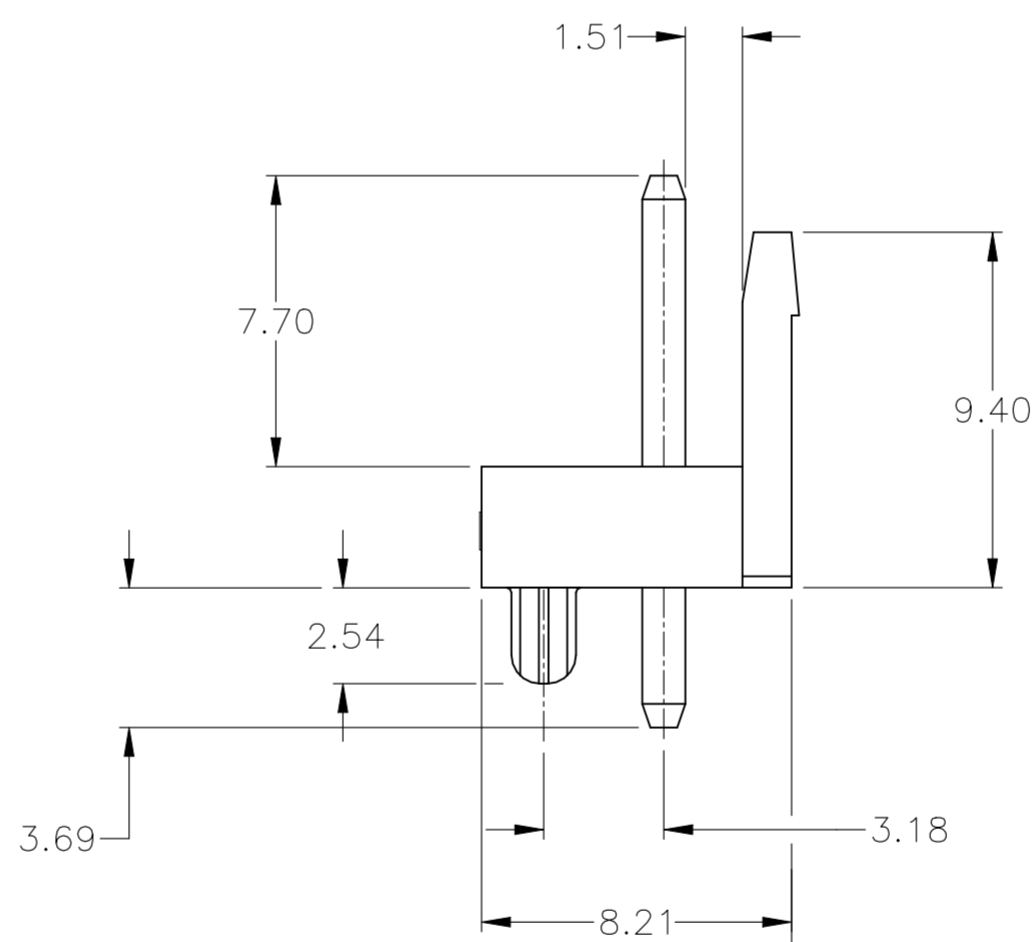
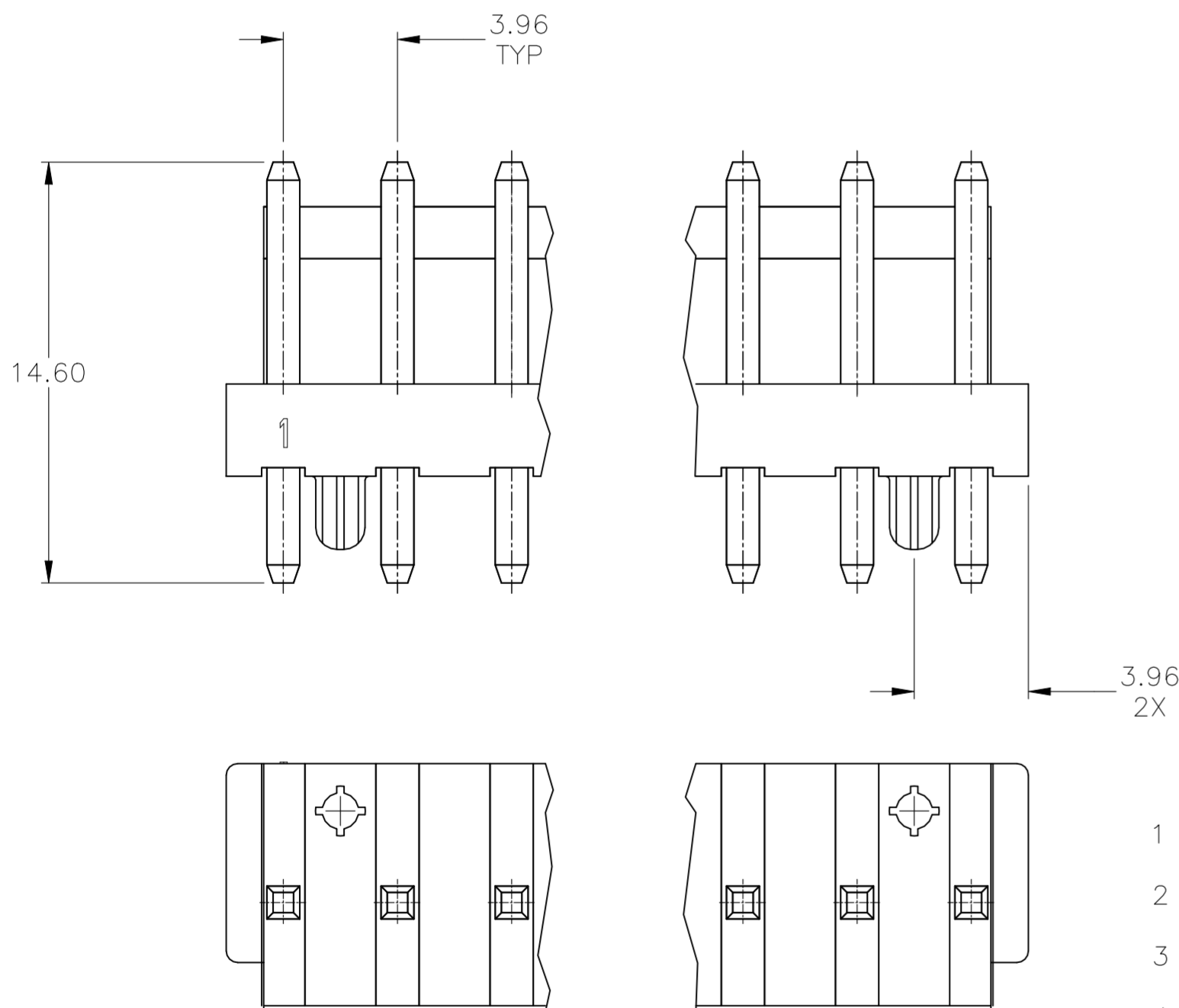


THIS DRAWING IS UNPUBLISHED. RELEASED FOR PUBLICATION
 © COPYRIGHT By - ALL RIGHTS RESERVED.

REVISIONS					
P	LTR	DESCRIPTION	DATE	DWN	APVD
E		REVISED PER ECR-23-165705	18AUG2023	WH	LC



RECOMMENDED MOUNTING HOLE PATTERN FOR 1.6 THICK PC BOARD



- 1 HOUSING MATERIAL: NYLON 66 UL94V-0.
- 2 CONTACT MATERIAL: BRASS.
- 3 CONTACT PLATING: 3 MICRONS MIN TIN OVER 1 MICRON MIN NICKEL.
- 4 2 POSITION HAS 1 PEG, ALL OTHERS HAVE 2 PEGS.

NO. OF POSITIONS	COLOR	DIM A ±0.30	PART NUMBER
6	RED	23.76	4-1744057-6
5	YELLOW	19.80	4-1744057-5
3	YELLOW	11.88	4-1744057-3
7	BLUE	27.72	2-1744057-7
12	NATURAL	47.52	1-1744057-2
11	NATURAL	43.56	1-1744057-1
10	NATURAL	39.60	1-1744057-0
9	NATURAL	35.64	1744057-9
8	NATURAL	31.68	1744057-8
7	NATURAL	27.72	1744057-7
6	NATURAL	23.76	1744057-6
5	NATURAL	19.80	1744057-5
4	NATURAL	15.84	1744057-4
3	NATURAL	11.88	1744057-3
2	NATURAL	7.92	1744057-2

THIS DRAWING IS A CONTROLLED DOCUMENT.		DWN S. HOOVER 01-APR-2004	TE Connectivity	
DIMENSIONS: mm [INCHES]		CHK J. ELLIS 01-APR-2004		
TOLERANCES UNLESS OTHERWISE SPECIFIED:		APVD J. ELLIS 01-APR-2004	NAME	
0 PLC ±		PRODUCT SPEC	108-5609	
1 PLC ±		APPLICATION SPEC	114-5253	
2 PLC ± 0.13		WEIGHT	-	
3 PLC ±		SCALE	A2 00779	
4 PLC ±		CUSTOMER DRAWING	N/A	
ANGLES ±		SHEET	1 OF 1	
FINISH		REV	E	
SEE NOTES		RESTRICTED TO	-	