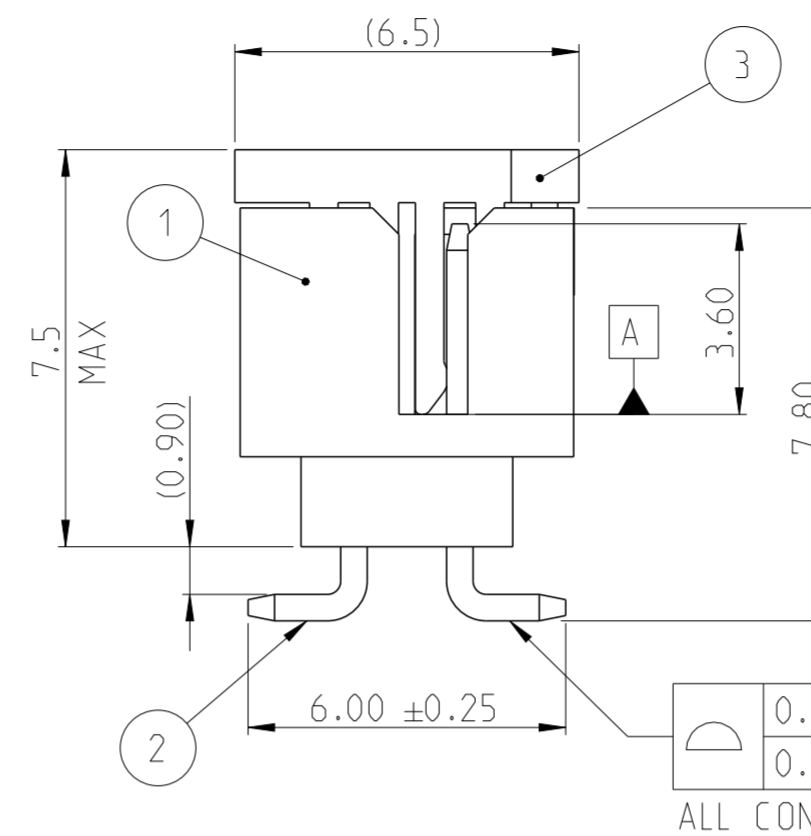
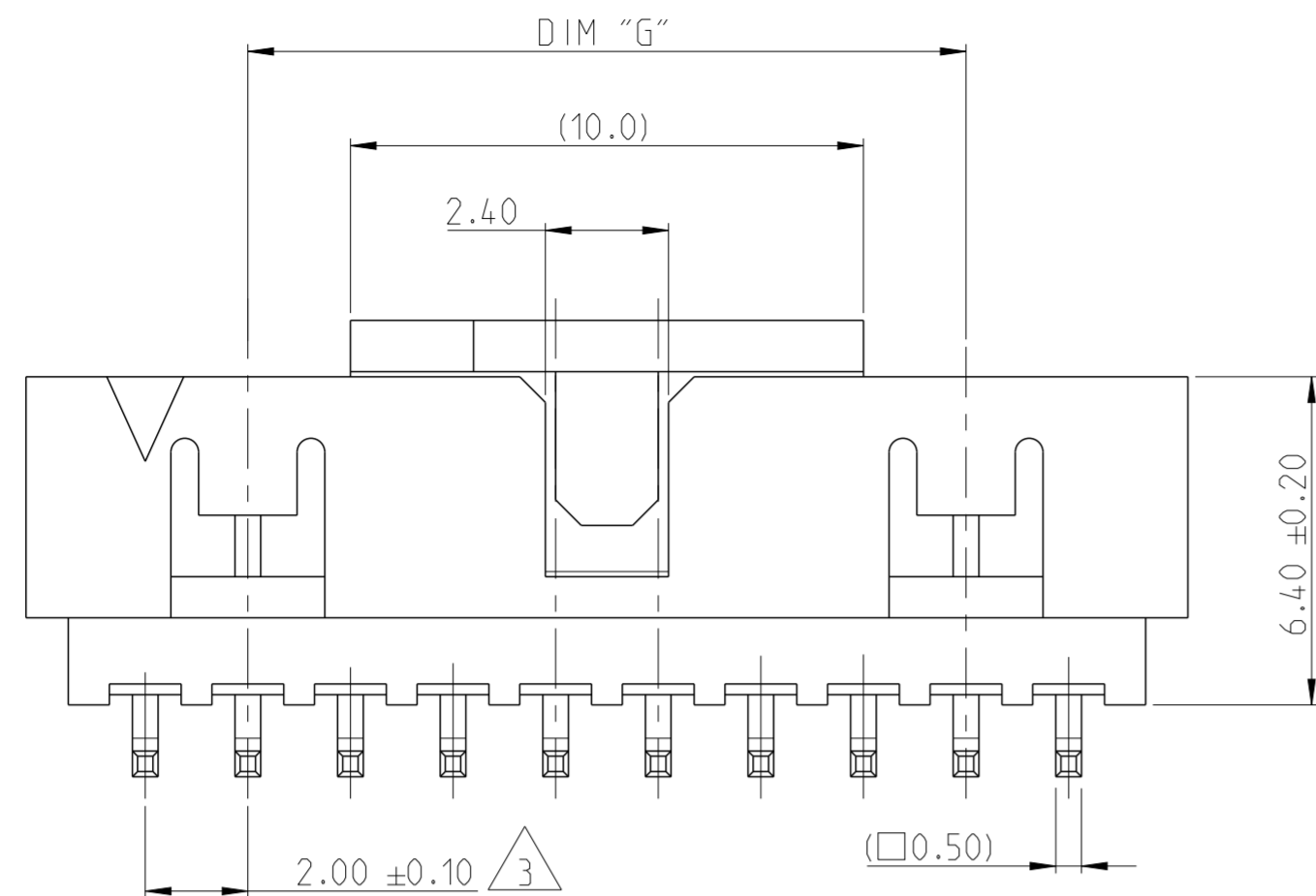


REVISIONS					
P	LTR	DESCRIPTION	DATE	DWN	APVD
A		RELEASE TO PRODUCTION	09DEC2019	AY	PS
A1		DIMENSION F REMOVED FROM PCB LAYOUT	11JUN2020	AY	PS

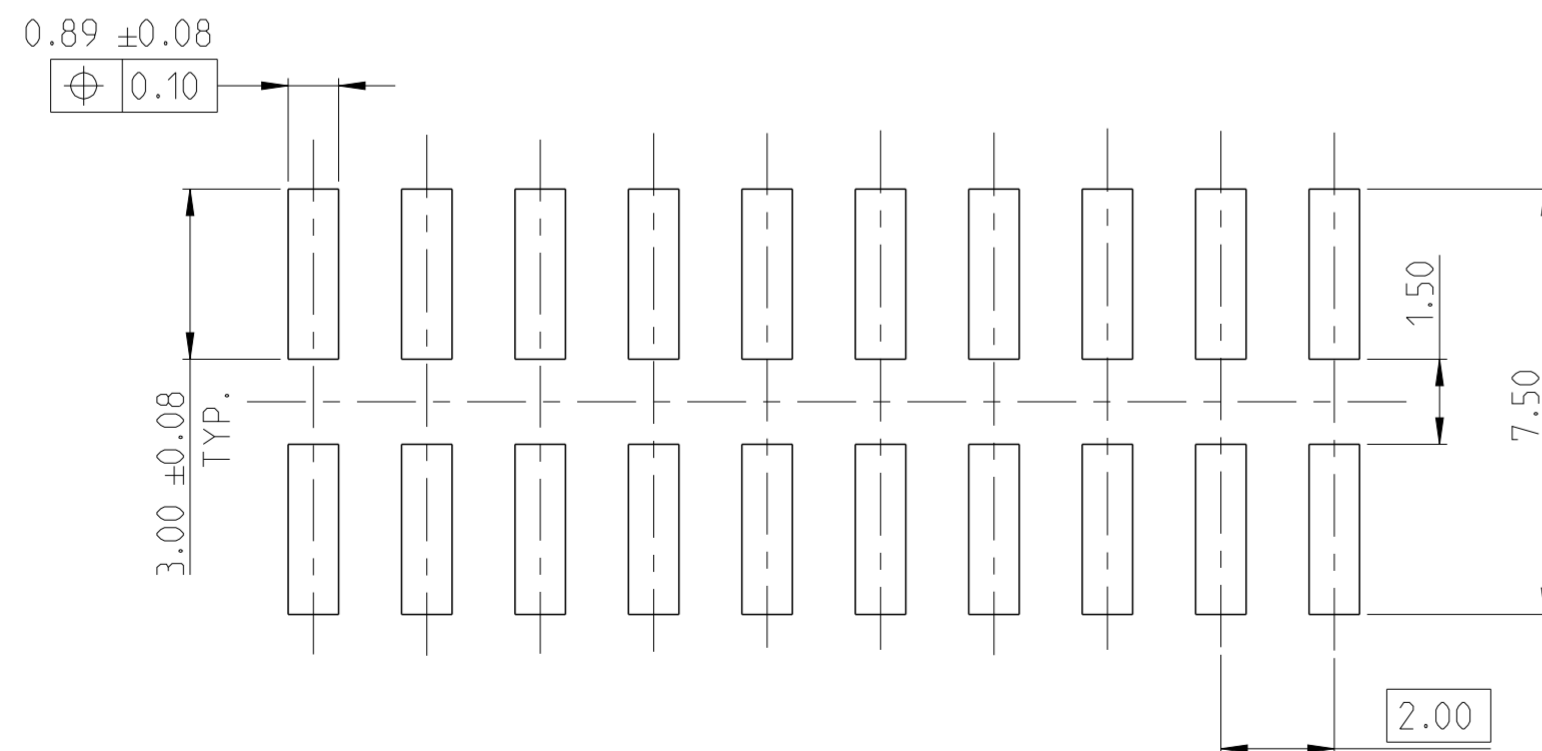
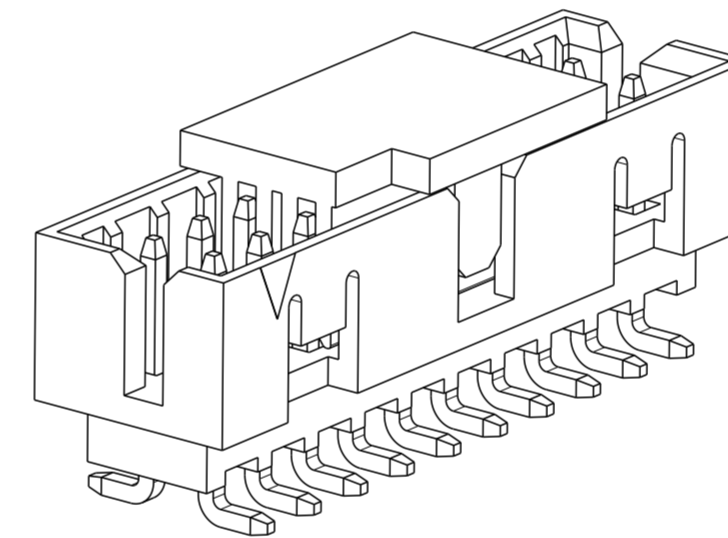
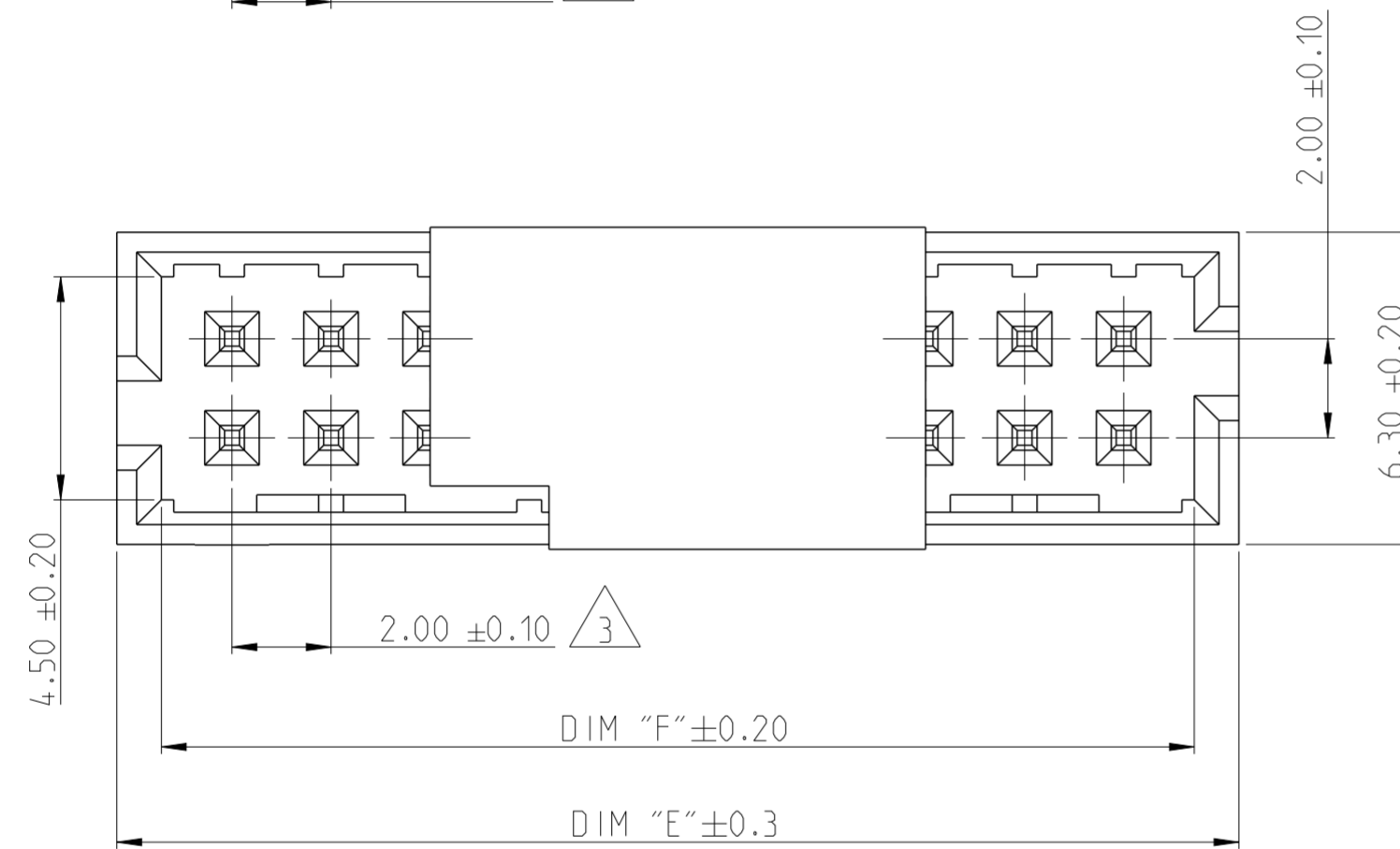


NOTES:

- MATERIAL  
HOUSING & P&P CAP : HIGH TEMPERATURE THERMOPLASTIC, UL94-V0; COLOR- BLACK  
CONTACT PIN : COPPER ALLOY  
FINISH : MIN. 2.0 μm TIN OVER NICKEL UNDER PLATING.
  - PACKAGING: TUBE (WITH PICK AND PLACE CAP)
- △ TOLERANCE NOT CUMULATIVE.

0.10	A	14-26 POS
0.15	A	30-50 POS

ALL CONTACTS



2-2842243-0 AS SHOWN

44	50.85	52.65	50	5-2842243-0
38	44.85	46.65	44	4-2842243-4
34	40.85	42.65	40	4-2842243-0
28	34.85	36.65	34	3-2842243-4
24	30.85	32.65	30	3-2842243-0
20	26.85	28.65	26	2-2842243-6
18	24.85	26.65	24	2-2842243-4
14	20.85	22.65	20	2-2842243-0
10	16.85	18.65	16	1-2842243-6
8	14.85	16.65	14	1-2842243-4
DIM "G" DIM "F" DIM "E"			POS.	TE PN.

PICK AND PLACE CAP		3	THIS DRAWING IS A CONTROLLED DOCUMENT. DIMENSIONS: mm TOLERANCES UNLESS OTHERWISE SPECIFIED: 0 PLC ± 1 PLC ± 2 PLC ±0.25 3 PLC ± 4 PLC ± ANGLES ±2° FINISH - -	DWN ANKIT YADAV 12NOV2019 CHK KARTHIK JK 25NOV2019 APVD PRASHANTH S. 27NOV2019	<b>STE</b> TE Connectivity NAME AMPMODU 2mm, SHROUDED HEADER, DUAL ROW, VERTICAL SMD, SN, TUBE WITH PICK AND PLACE CAP			
CONTACT PIN		2		PRODUCT SPEC 108-64040 APPLICATION SPEC 114-32259				
HOUSING		1		SEE NOTES	WEIGHT -	SCALE 5:1 SHEET 1 OF 1 REV A1		
DESCRIPTION		ITEM NO.		-	CUSTOMER DRAWING			