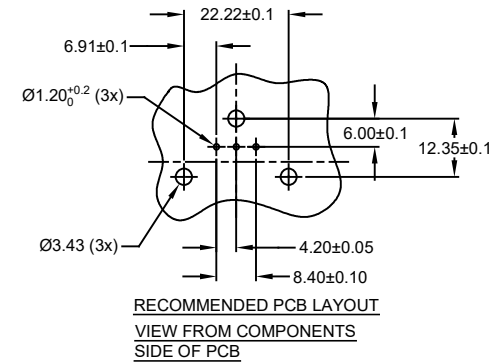
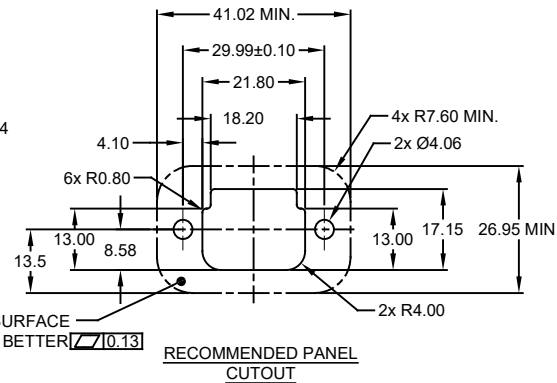
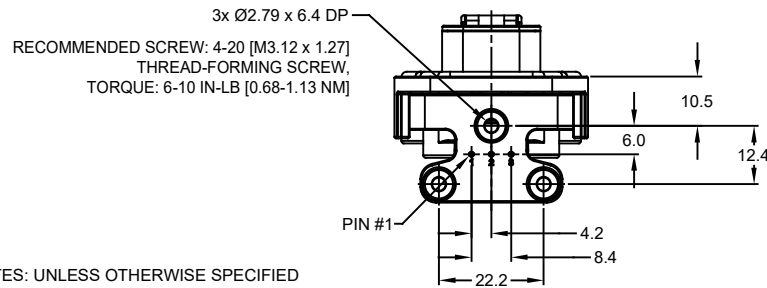
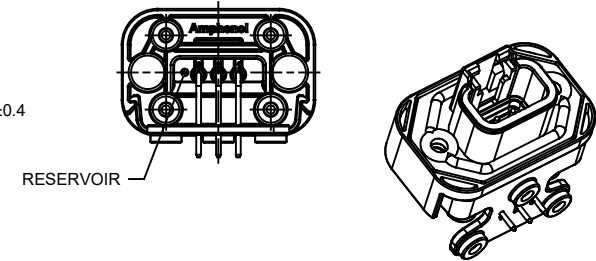
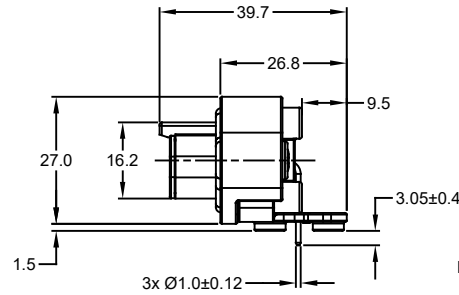
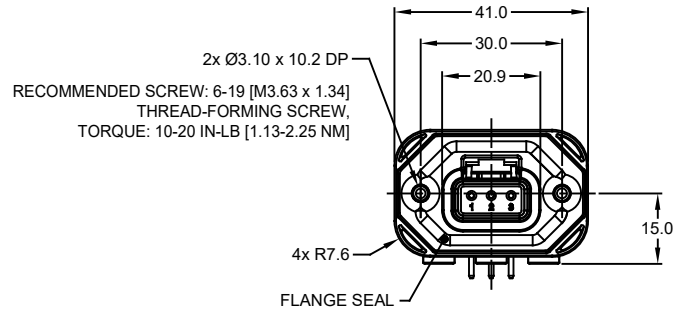


REVISIONS					
REV	ECO	DESCRIPTION	DATE	BY	APPR
A1	-	RELEASE NEW DRAWING	15JUN18	SULLEN	TOMMY
A2	-	REVISED DRAWING	10JUL20	JHEAD	DH



NOTES: UNLESS OTHERWISE SPECIFIED

- MATERIAL:
HOUSING: THERMOPLASTIC, GREY
SEAL: SILICONE RUBBER
CONTACT: COPPER ALLOY
- MODIFICATIONS: FLANGE; RA PCB MOUNT
- SPECIFICATIONS:
3.1 CURRENT RATING: 7.5 AMPS
3.2 OPERATING TEMPERATURE: -55°C TO +125°C
3.3 DIELECTRIC WITHSTANDING VOLTAGE: LESS THAN 2 MILLIAMPS CURRENT LEAKAGE @ 1500 VOLTS AC.
3.4 INSULATION RESISTANCE: 1000 MEGOHMS MIN @ 25°C
3.5 MOISTURE RESISTANCE: IP67 (MATED CONDITION)
3.6 MATING CYCLE DURABILITY: 100 CYCLES
3.7 RoHS COMPLIANT
- MATING PART: ATM06-3S* (* = ALL MODIFICATIONS)
- ALL DIMENSIONS ARE FOR REFERENCE USE ONLY
- POTTED CONNECTORS SPECIFIED FOR UP TO 5 P.S.I. APPLICATIONS.

ATM13-3P-BMXX VARIANTS		
CONTACT PLATING	POTTING OR NOT IN RESERVOIR	PART NUMBER
GOLD	NO POTTING	ATM13-3P-BM01
GOLD	POTTING	ATM13-3P-BM02
TIN	NO POTTING	ATM13-3P-BM03
TIN	POTTING	ATM13-3P-BM04

ATM13-3P-BMXX		PART NUMBER		DESCRIPTION		ITEM																																																																										
<table border="1"> <thead> <tr> <th>QUANTITY</th> <th colspan="3">MATERIALS LIST</th> </tr> </thead> <tbody> <tr> <td>UNLESS OTHERWISE SPECIFIED</td> <td colspan="3">SIGNATURES</td> <td colspan="3">DATE</td> </tr> <tr> <td>1) All dimensions are in metric (mm).</td> <td>DRAWN: SULEN ZHANG</td> <td colspan="2"></td> <td colspan="3">15JUN18</td> </tr> <tr> <td>2) Tolerances are as follows:</td> <td>CHECKED: ORION LI</td> <td colspan="2"></td> <td colspan="3">15JUN18</td> </tr> <tr> <td>1 PL DEC ±0.30 Fractions ±1/64</td> <td>ENGINEER:</td> <td colspan="2"></td> <td colspan="3">APPROVAL: TOMMY XIE</td> </tr> <tr> <td>2 PL DEC ±0.15</td> <td></td> <td colspan="2"></td> <td colspan="3">15JUN18</td> </tr> <tr> <td>3 PL DEC ±0.08</td> <td></td> <td colspan="2"></td> <td colspan="3">CUSTOMER:</td> </tr> <tr> <td>3) Note reference = </td> <td colspan="6">THIS DRAWING IS SUPPLIED FOR INFORMATION ONLY. DESIGN FEATURES, SPECIFICATIONS AND PERFORMANCE DATA SHOWN HEREON ARE THE PROPERTY OF THE AMPHENOL CORPORATION. NO RIGHTS OF REPRODUCTION ARE IMPLIED. ALL DIMENSIONS ARE SUBJECT TO NORMAL MANUFACTURING VARIATIONS.</td> </tr> <tr> <td>MATERIAL SPECIFICATIONS:</td> <td colspan="3">SIZE</td> <td>TYPE</td> <td>DWG NO.</td> <td>REVISION</td> </tr> <tr> <td>PROCESS SPECIFICATIONS:</td> <td colspan="3">B</td> <td>C-</td> <td>ATM13-3P-BMXX</td> <td>A2</td> </tr> <tr> <td>NEXT ASSY:</td> <td colspan="3">SCALE</td> <td colspan="2">NONE</td> <td>SHEET 1 OF 1</td> </tr> </tbody> </table>							QUANTITY	MATERIALS LIST			UNLESS OTHERWISE SPECIFIED	SIGNATURES			DATE			1) All dimensions are in metric (mm).	DRAWN: SULEN ZHANG			15JUN18			2) Tolerances are as follows:	CHECKED: ORION LI			15JUN18			1 PL DEC ±0.30 Fractions ±1/64	ENGINEER:			APPROVAL: TOMMY XIE			2 PL DEC ±0.15				15JUN18			3 PL DEC ±0.08				CUSTOMER:			3) Note reference =	THIS DRAWING IS SUPPLIED FOR INFORMATION ONLY. DESIGN FEATURES, SPECIFICATIONS AND PERFORMANCE DATA SHOWN HEREON ARE THE PROPERTY OF THE AMPHENOL CORPORATION. NO RIGHTS OF REPRODUCTION ARE IMPLIED. ALL DIMENSIONS ARE SUBJECT TO NORMAL MANUFACTURING VARIATIONS.						MATERIAL SPECIFICATIONS:	SIZE			TYPE	DWG NO.	REVISION	PROCESS SPECIFICATIONS:	B			C-	ATM13-3P-BMXX	A2	NEXT ASSY:	SCALE			NONE		SHEET 1 OF 1
QUANTITY	MATERIALS LIST																																																																															
UNLESS OTHERWISE SPECIFIED	SIGNATURES			DATE																																																																												
1) All dimensions are in metric (mm).	DRAWN: SULEN ZHANG			15JUN18																																																																												
2) Tolerances are as follows:	CHECKED: ORION LI			15JUN18																																																																												
1 PL DEC ±0.30 Fractions ±1/64	ENGINEER:			APPROVAL: TOMMY XIE																																																																												
2 PL DEC ±0.15				15JUN18																																																																												
3 PL DEC ±0.08				CUSTOMER:																																																																												
3) Note reference =	THIS DRAWING IS SUPPLIED FOR INFORMATION ONLY. DESIGN FEATURES, SPECIFICATIONS AND PERFORMANCE DATA SHOWN HEREON ARE THE PROPERTY OF THE AMPHENOL CORPORATION. NO RIGHTS OF REPRODUCTION ARE IMPLIED. ALL DIMENSIONS ARE SUBJECT TO NORMAL MANUFACTURING VARIATIONS.																																																																															
MATERIAL SPECIFICATIONS:	SIZE			TYPE	DWG NO.	REVISION																																																																										
PROCESS SPECIFICATIONS:	B			C-	ATM13-3P-BMXX	A2																																																																										
NEXT ASSY:	SCALE			NONE		SHEET 1 OF 1																																																																										
<p style="text-align: center;">Amphenol</p> <p style="text-align: center;">Sine Systems - www.amphenol-sine.com 44724 Morley Drive Clinton Township, MI 48036</p> <p style="text-align: center;">BOARDLOCK PCB MOUNT RECEPTACLE, 3 PIN, RA FLANGE, ATM SERIES</p>																																																																																

TITLE: POSITION RECEPTACLE, 3PIN, RA FLANGE, ATM SERIES
DWG NO.: ATM13-3P-BMXX
REV: A2
SH: 1
OF: 1