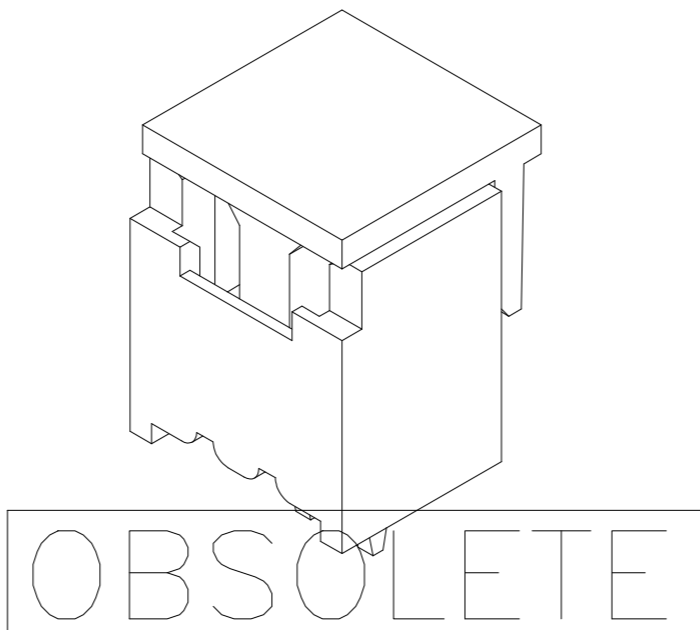
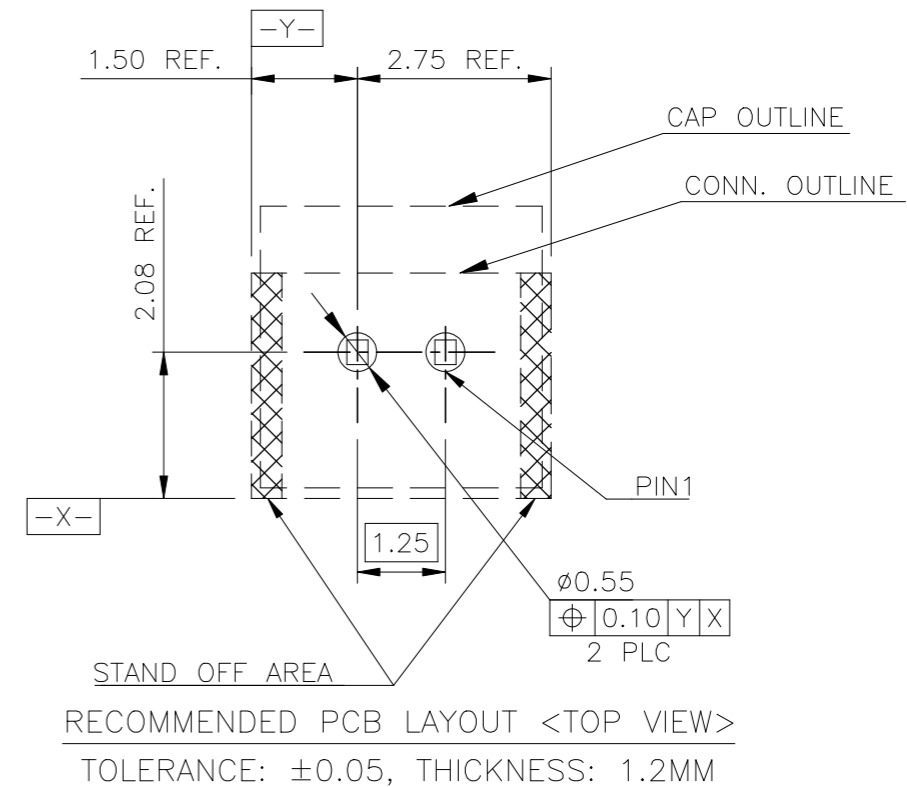
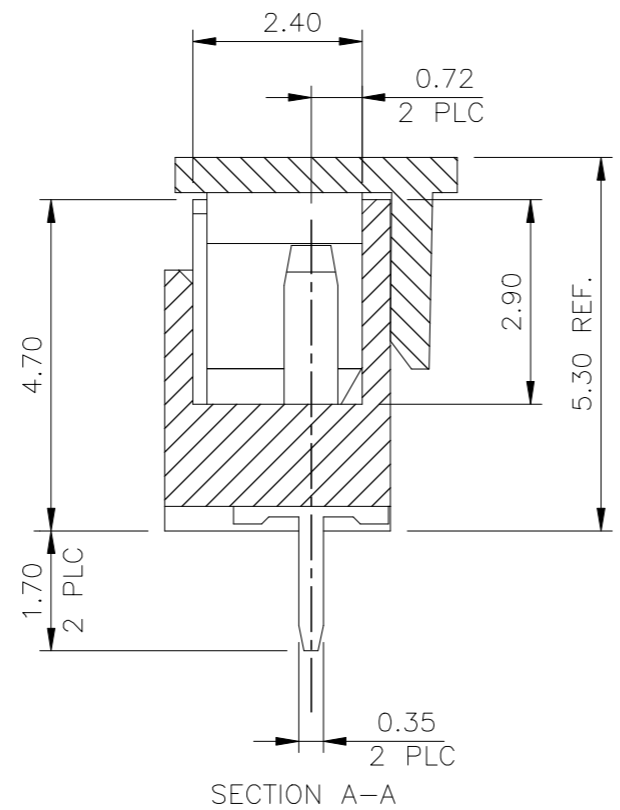
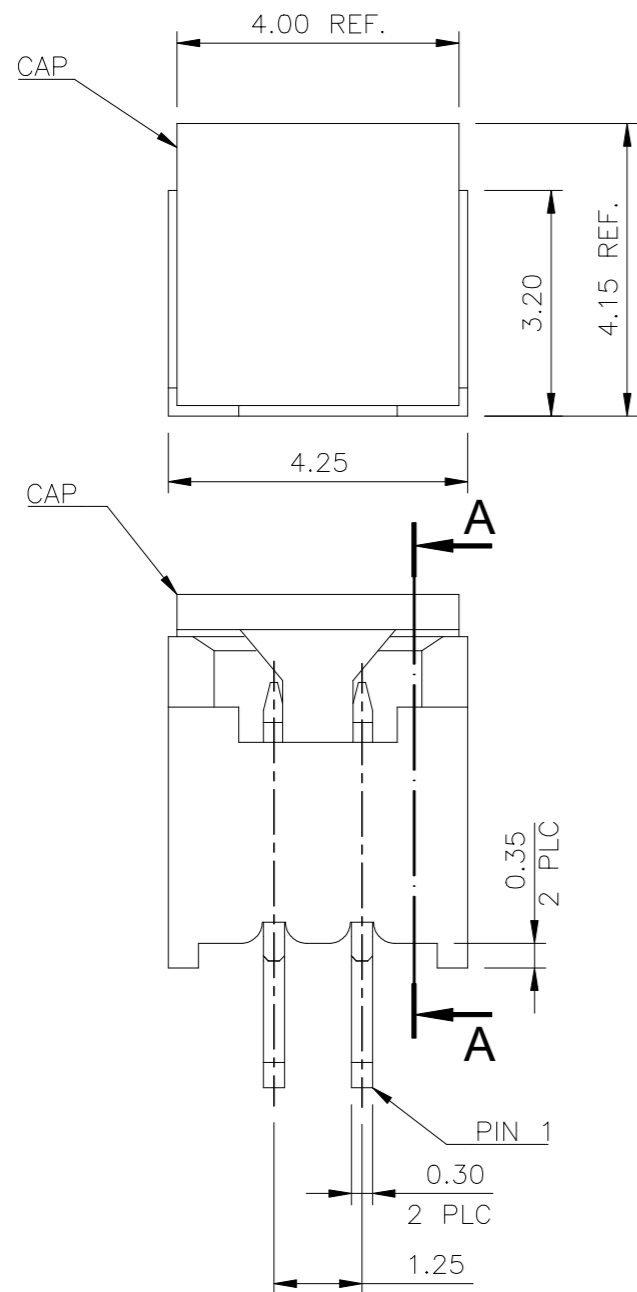


THIS DRAWING IS UNPUBLISHED. RELEASED FOR PUBLICATION AUG ,2006.
 © COPYRIGHT BY TYCO ELECTRONICS CORPORATION. ALL RIGHTS RESERVED.

LOC	DIST	REVISIONS			
P	LTR	DESCRIPTION	DATE	DWN	APVD
DW		B1	ECR- 23- 189217	08OCT23	C.K H.L



- NOTE:
- MATERIAL:
 HOUSING: THERMOPLASTIC (LCP) WITH 30% GF, UL 94V-0, NATURE COLOR.
 CAP: THERMOPLASTIC (LCP) WITH 30% GF, UL 94V-0, BLACK COLOR.
 CONTACTS: PHOSPHOR BRONZE.
 - FINISH:
 CONTACTS: 3.048μm [120μ"] MIN. MATTE-TIN PLATING OVERALL,
 1.27μm [50μ"] MIN. NICKEL PLATING ON ENTIRE CONTACT.
 - REFLOW SOLDER CAPABLE TO 260°C PER TE SPEC. 109-201, CONDITION B.
 - NO TE LOGO AND DATE CODE ON THE PRODUCT.
 - LOW HALOGEN SPECIFICATION:
 CHLORINE(Cl): 900ppm MAX.
 BROMINE(Br): 900ppm MAX.
 - ALTERNATE P/N (MATERIAL: PA9T, NON LH) IS 1734598-2.



TAPE & REEL	2041282-2
PACKAGE	PART NUMBER

THIS DRAWING IS A CONTROLLED DOCUMENT.		DWN	J. CHEN	03AUG2010	 TE Connectivity
DIMENSIONS: MM		CHK	S. CHIEN	03AUG2010	
		APVD	W. KODAMA	03AUG2010	
TOLERANCES UNLESS OTHERWISE SPECIFIED:		NAME			
0 PLC ± -		1.25 MM PITCH WIRE TO BOARD			
1 PLC ± 0.3		CONNECTOR, HEADER, DIP, VERTICAL, WITH CAP			
2 PLC ± 0.2		PRODUCT SPEC			
3 PLC ± 0.15		108-57273			
4 PLC ± -		APPLICATION SPEC			
ANGLES ± 3'		-			
MATERIAL		FINISH		WEIGHT	0.12 GRAMS
SEE NOTE		SEE NOTE		CUSTOMER DRAWING	
		SIZE	A3	CAGE CODE	00779
		DRAWING NO	C=2041282		RESTRICTED TO
		SCALE	-	SHEET	1 OF 4
		REV	B1		

4

3

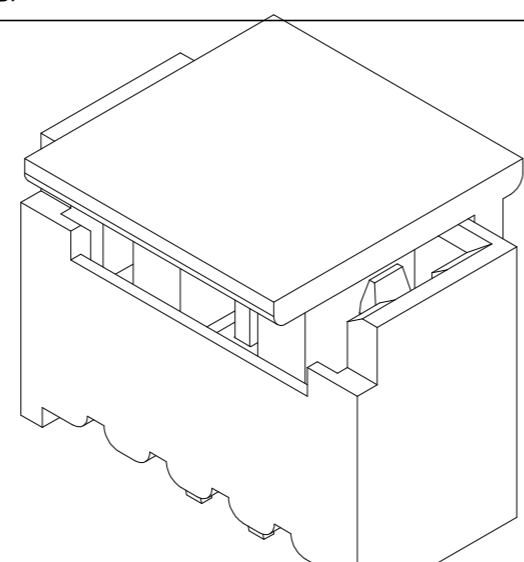
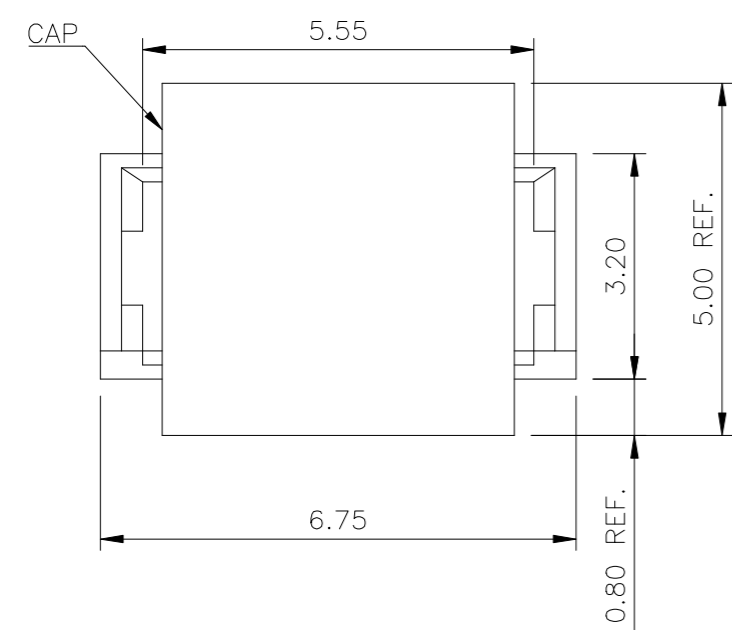
2

1

THIS DRAWING IS UNPUBLISHED. RELEASED FOR PUBLICATION AUG ,2006.

© COPYRIGHT BY TYCO ELECTRONICS CORPORATION. ALL RIGHTS RESERVED.

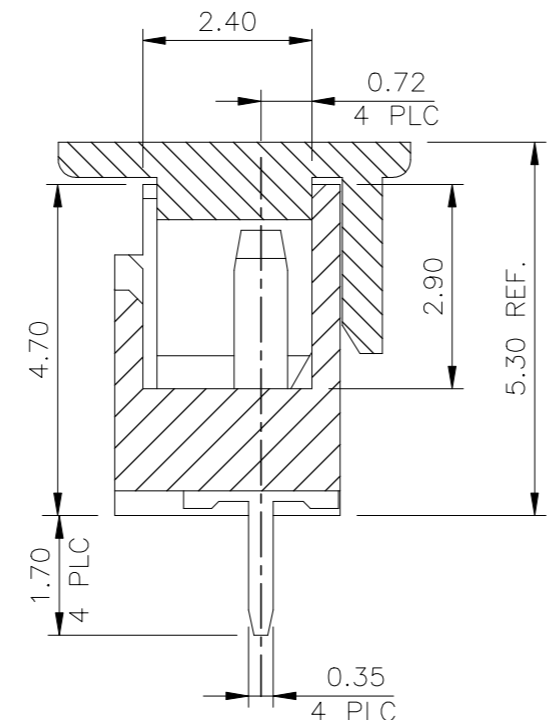
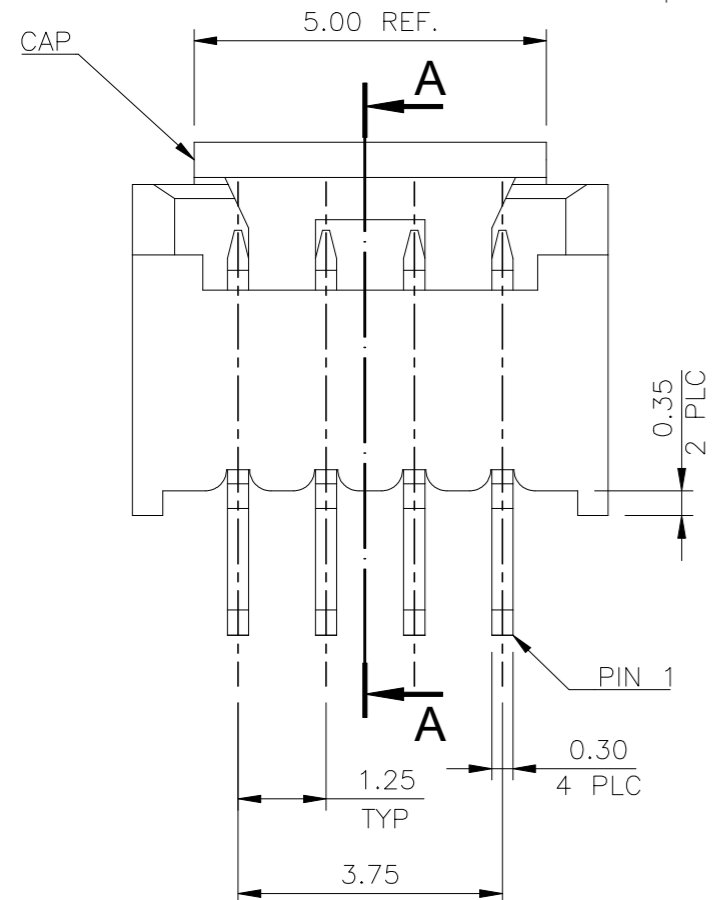
LOC	DIST	REVISIONS			
P	LTR	DESCRIPTION	DATE	DWN	APVD
DW		SEE SHEET 1.			



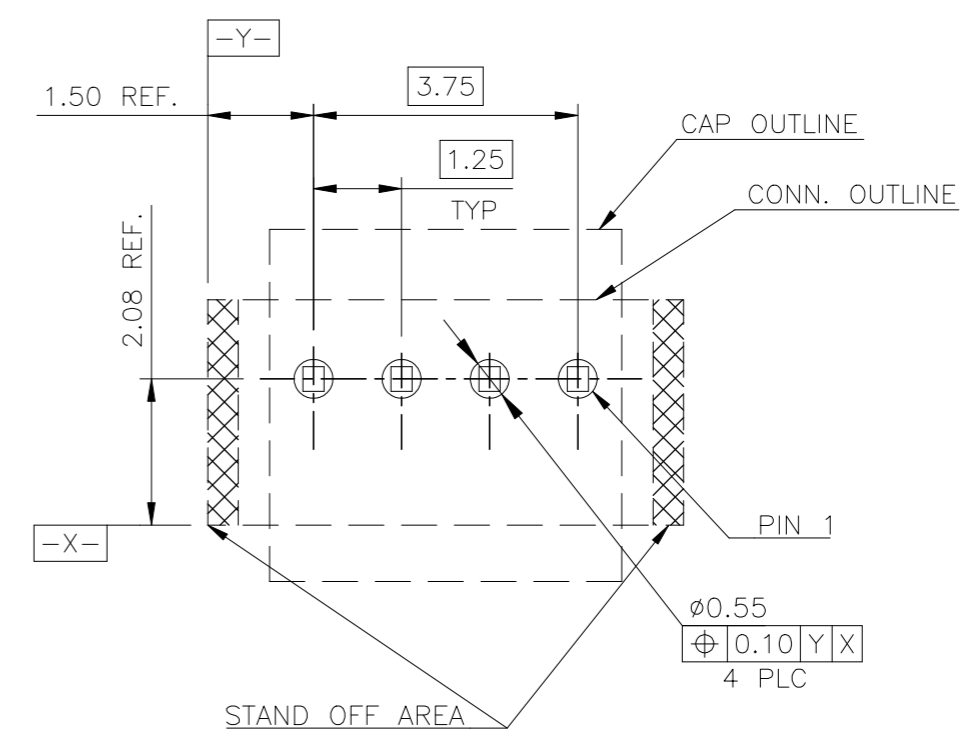
OBSOLETE

NOTE:

- MATERIAL:
HOUSING: THERMOPLASTIC (LCP) WITH 30% GF, UL 94V-0, NATURE COLOR.
CAP: THERMOPLASTIC (LCP) WITH 30% GF, UL 94V-0, BLACK COLOR.
CONTACTS: PHOSPHOR BRONZE.
- FINISH:
CONTACTS: 3.048µm [120µ"] MIN. MATTE-TIN PLATING OVERALL,
1.27µm [50µ"] MIN. NICKEL PLATING ON ENTIRE CONTACT.
- REFLOW SOLDER CAPABLE TO 260°C PER TE SPEC. 109-201, CONDITION B.
- NO TE LOGO AND DATE CODE ON THE PRODUCT.
- LOW HALOGEN SPECIFICATION:
CHLORINE(Cl): 900ppm MAX.
BROMINE(Br): 900ppm MAX.
- ALTERNATE P/N (MATERIAL: PA9T, NON LH) IS 1734598-4.



SECTION A-A



RECOMMENDED PCB LAYOUT <TOP VIEW>

TOLERANCE: ±0.05, THICKNESS: 1.2MM

TAPE & REEL	2041282-4
PACKAGE	PART NUMBER

THIS DRAWING IS A CONTROLLED DOCUMENT.		DWN	TE Connectivity		
DIMENSIONS: MM		CHK	NAME		
TOLERANCES UNLESS OTHERWISE SPECIFIED:		APVD	1.25 MM PITCH WIRE TO BOARD CONNECTOR, HEADER, DIP, VERTICAL, WITH CAP		
0 PLC ± -		PRODUCT SPEC	SIZE	CAGE CODE	DRAWING NO
1 PLC ± 0.3		APPLICATION SPEC	A3	00779	C=2041282
2 PLC ± 0.2		WEIGHT	RESTRICTED TO		
3 PLC ± 0.15		0.16 GRAMS	-		
4 PLC ± -		CUSTOMER DRAWING	SCALE	SHEET	REV
ANGLES ± 3'			-	2 OF 4	B1
MATERIAL	FINISH				
SEE NOTE	SEE NOTE				

4

3

2

1

THIS DRAWING IS UNPUBLISHED.

RELEASED FOR PUBLICATION

AUG ,2006.

© COPYRIGHT BY TYCO ELECTRONICS CORPORATION. ALL RIGHTS RESERVED.

LOC DW

DIST

REVISIONS

P

LTR

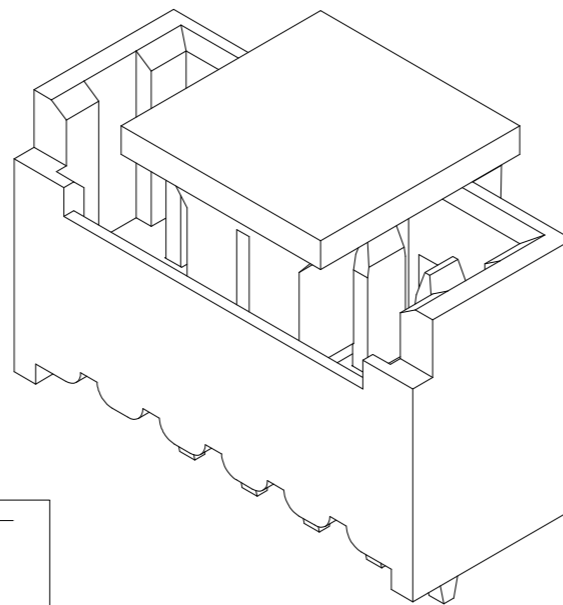
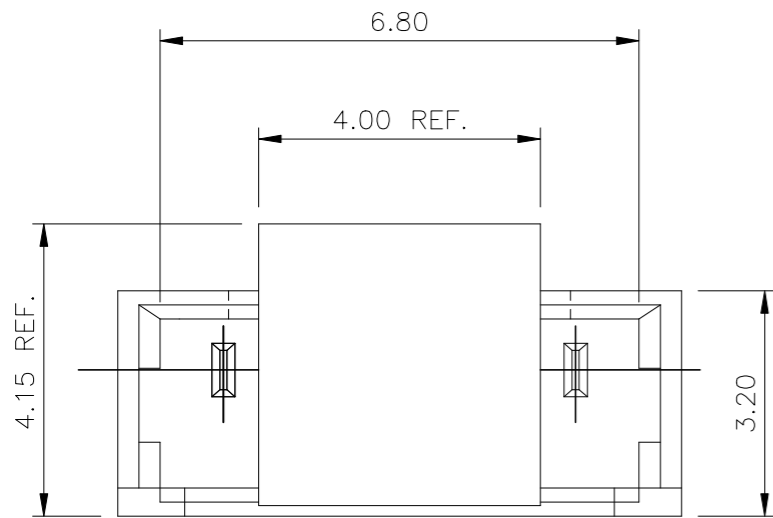
DESCRIPTION

DATE

DWN

APVD

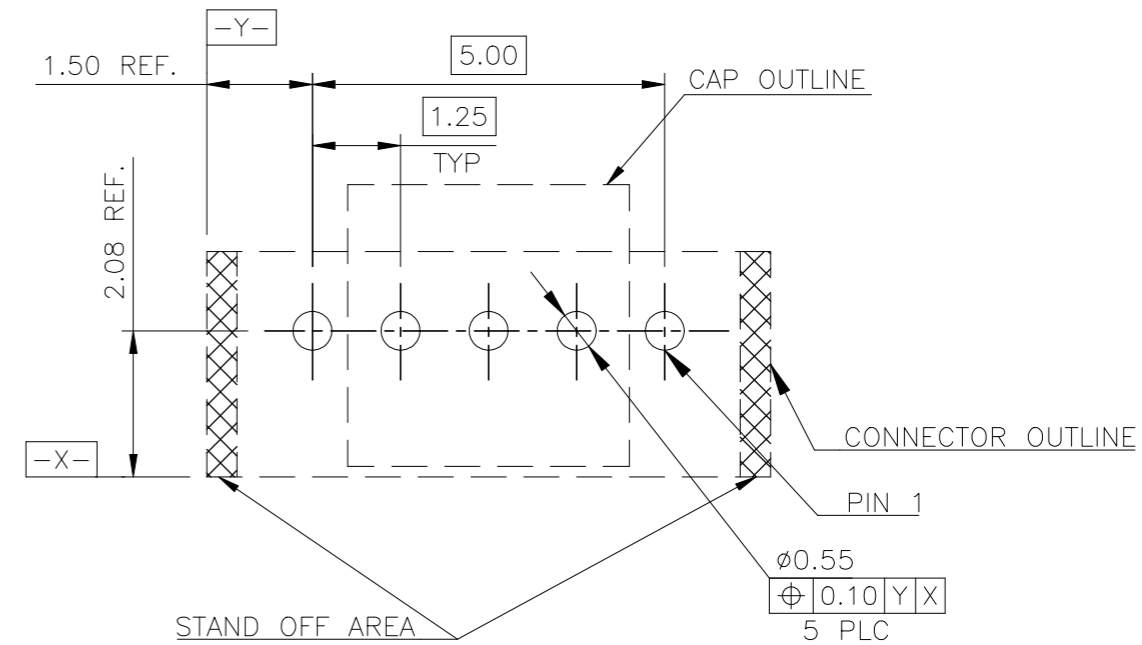
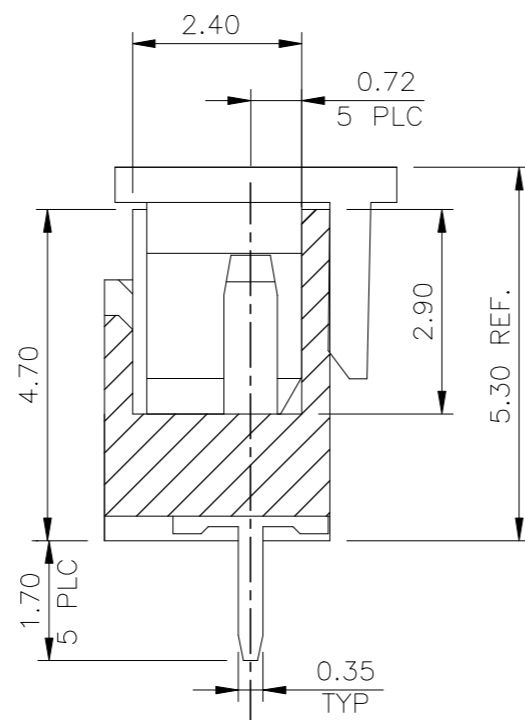
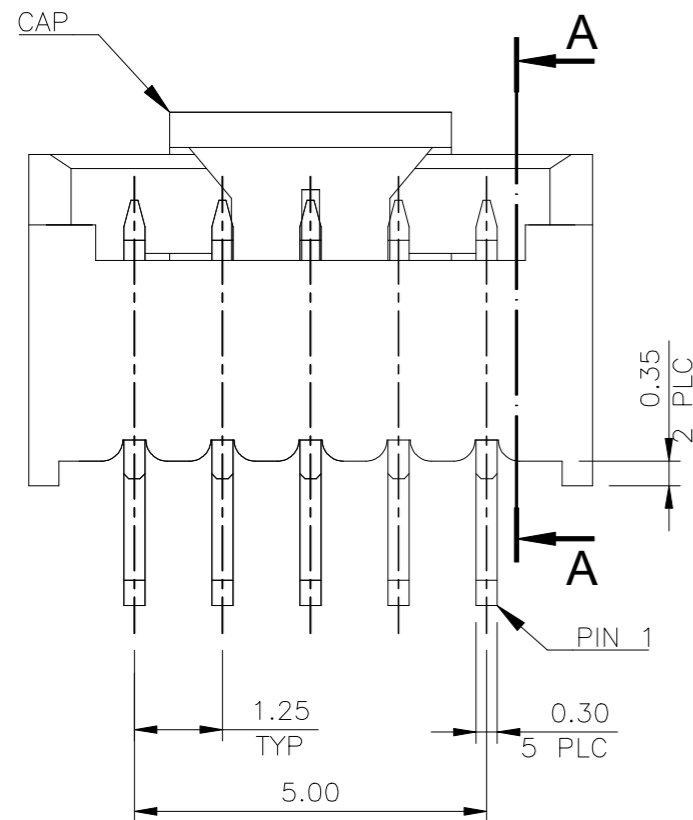
SEE SHEET 1.



OBSOLETE

NOTE:

- MATERIAL:
HOUSING: THERMOPLASTIC (LCP) WITH 30% GF, UL 94V-0, NATURE COLOR.
CAP: THERMOPLASTIC (LCP) WITH 30% GF, UL 94V-0, BLACK COLOR.
CONTACTS: PHOSPHOR BRONZE.
- FINISH:
CONTACTS: 3.048μm [120μ"] MIN. MATTE-TIN PLATING OVER
1.27μm [50μ"] MIN. NICKEL PLATING ON ENTIRE CONTACT.
- REFLOW SOLDER CAPABLE TO 260°C PER TE SPEC. TEC-109-201, CONDITION B.
- NO TE LOGO AND DATE CODE ON THE PRODUCT.
- LOW HALOGEN SPECIFICATION:
CHLORINE(Cl): 900ppm MAX.
BROMINE(Br): 900ppm MAX.
- ALTERNATE P/N (MATERIAL: PA9T, NON LH) IS 1734598-5



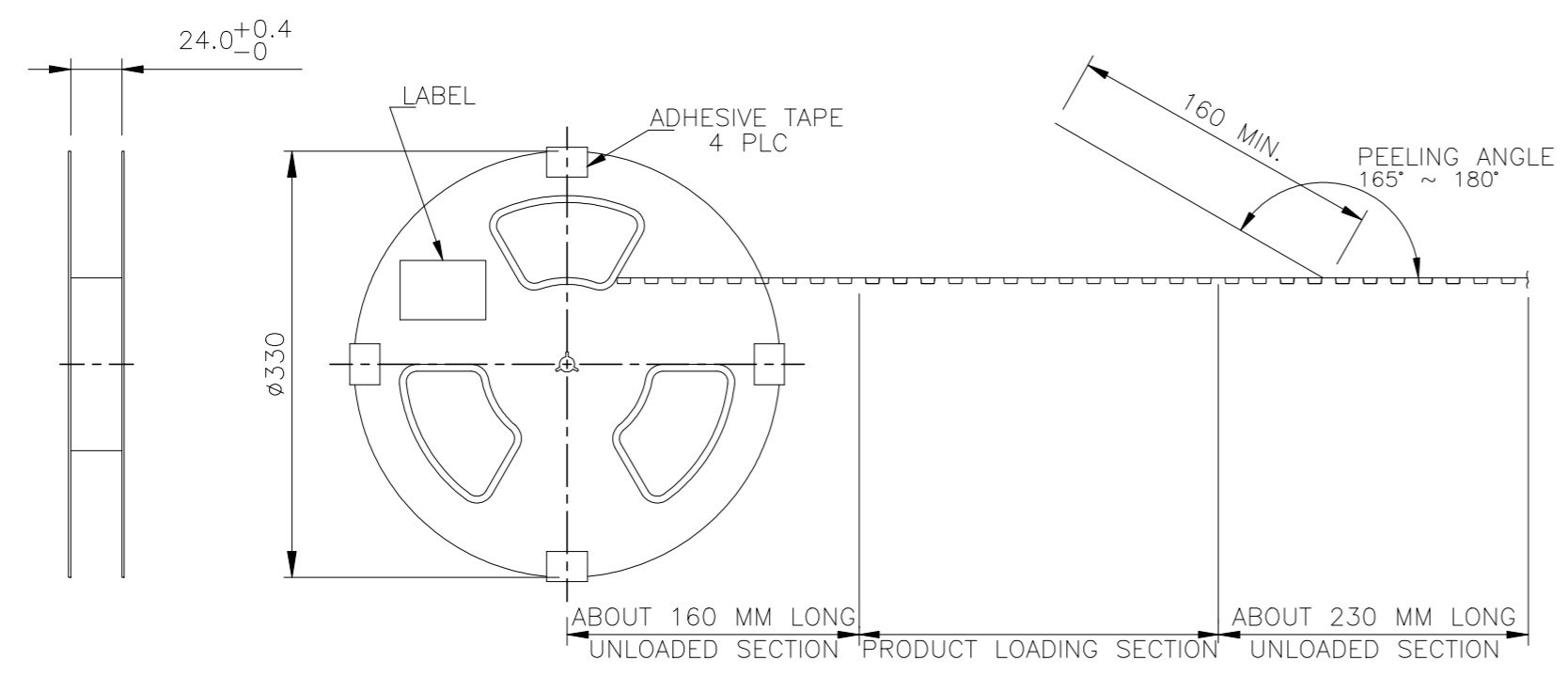
RECOMMENDED PCB LAYOUT (TOP VIEW)
TOLERANCE: ±0.05, THICKNESS: 1.2MM

TAPE & REEL	2041282-5
PACKAGE	PART NUMBER

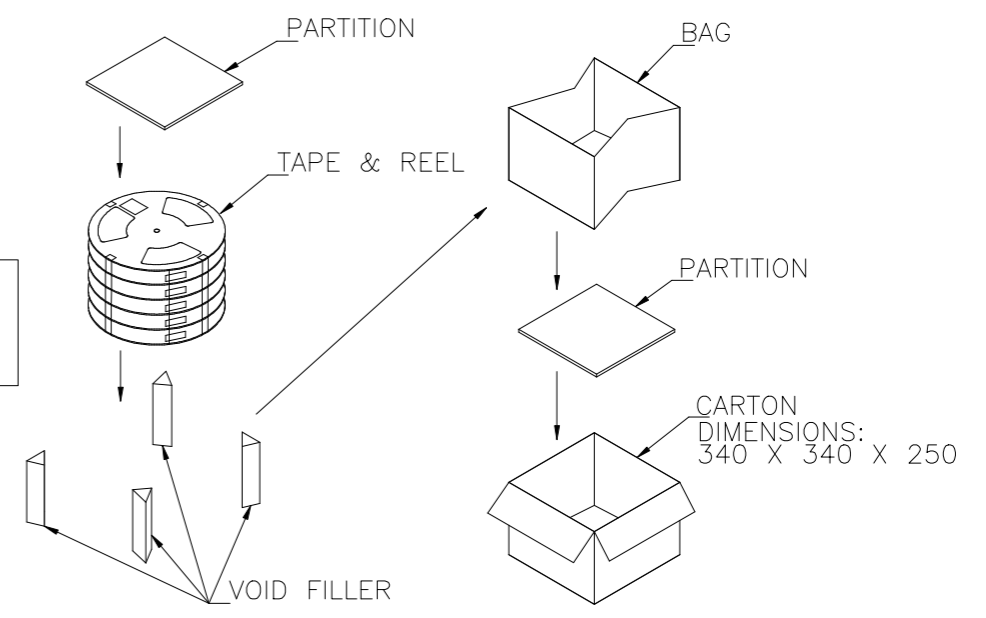
THIS DRAWING IS A CONTROLLED DOCUMENT.		DWN	TE Connectivity	
DIMENSIONS: MM		CHK	NAME	
TOLERANCES UNLESS OTHERWISE SPECIFIED:		APVD	1.25 MM PITCH WIRE TO BOARD CONNECTOR, HEADER, DIP, VERTICAL, WITH CAP	
0 PLC ± -		PRODUCT SPEC	SIZE	CAGE CODE
1 PLC ± 0.3		APPLICATION SPEC	A3	00779
2 PLC ± 0.2		WEIGHT	DRAWING NO	
3 PLC ± 0.15		0.18 GRAMS	C=2041282	
4 PLC ± -		CUSTOMER DRAWING	RESTRICTED TO	
ANGLES ± 3'		SCALE	SHEET	REV
MATERIAL	FINISH		3 OF 4	B1
SEE NOTE	SEE NOTE			

THIS DRAWING IS UNPUBLISHED. RELEASED FOR PUBLICATION AUG ,2006.
 © COPYRIGHT BY TYCO ELECTRONICS CORPORATION. ALL RIGHTS RESERVED.

LOC	DIST	REVISIONS				
P	LTR	DESCRIPTION	DATE	DWN	APVD	
		SEE SHEET 1.				

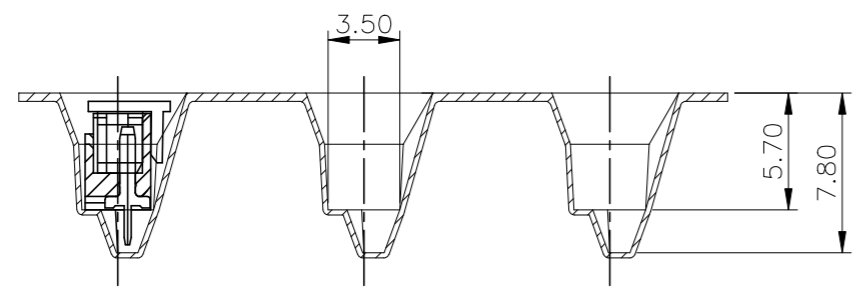
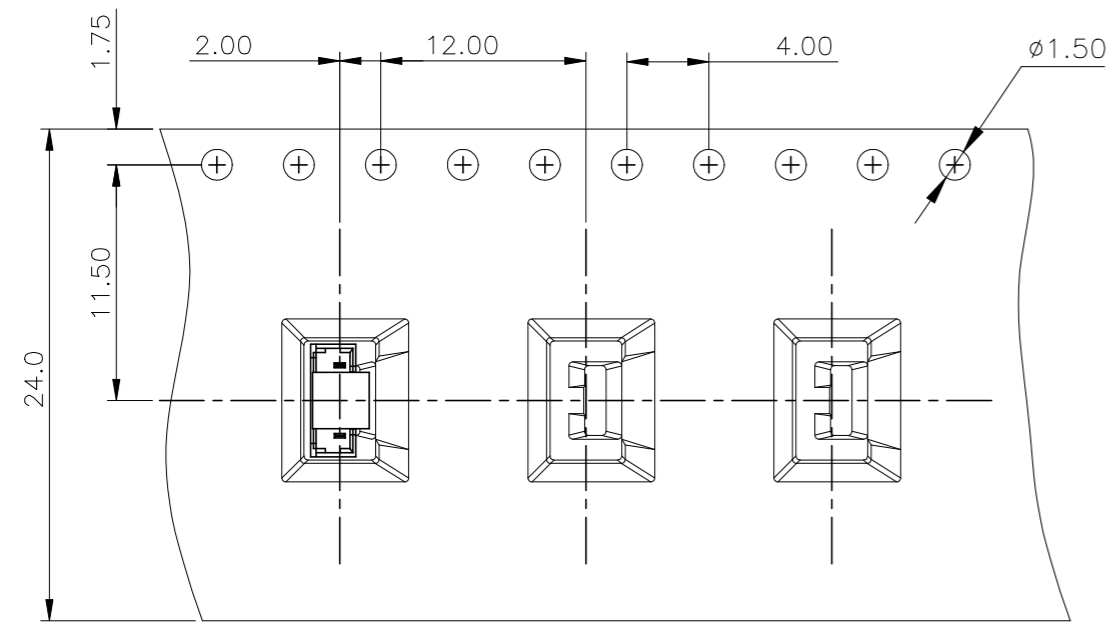


NOTE:
 1. PEELING RESISTANCE: 10gf ~ 130gf.
 2. PEELING SPEED: 300mm/MINUTES.



OBSOLETE

TOP OF TAPE



5.09	0.88	700	7	4900	5	2041282-5
5.00	0.79	700	7	4900	4	2041282-4
4.00	0.59	700	7	4900	2	2041282-2
G/W (Kg)	N/W (Kg)	PCS/TAPE	REELS/BOX	QUANTITY (PCS)	NO. OF CONTACTS	PART NUMBER

THIS DRAWING IS A CONTROLLED DOCUMENT.

DIMENSIONS: MM	TOLERANCES UNLESS OTHERWISE SPECIFIED:	DWN	TE Connectivity													
<table border="1"> <tr><td>0 PLC</td><td>± -</td></tr> <tr><td>1 PLC</td><td>± -</td></tr> <tr><td>2 PLC</td><td>± -</td></tr> <tr><td>3 PLC</td><td>± -</td></tr> <tr><td>4 PLC</td><td>± -</td></tr> <tr><td>ANGLES</td><td>± -</td></tr> </table>	0 PLC	± -	1 PLC	± -	2 PLC	± -	3 PLC	± -	4 PLC	± -	ANGLES	± -		CHK	NAME	
0 PLC	± -															
1 PLC	± -															
2 PLC	± -															
3 PLC	± -															
4 PLC	± -															
ANGLES	± -															
MATERIAL	FINISH	APVD	1.25 MM PITCH WIRE TO BOARD CONNECTOR, HEADER, DIP, VERTICAL, WITH CAP													
		PRODUCT SPEC	SIZE	CAGE CODE												
		APPLICATION SPEC	A3	00779												
		WEIGHT	DRAWING NO	RESTRICTED TO												
			C=2041282													
		CUSTOMER DRAWING	SCALE	SHEET 4 OF 4												
				REV B1												