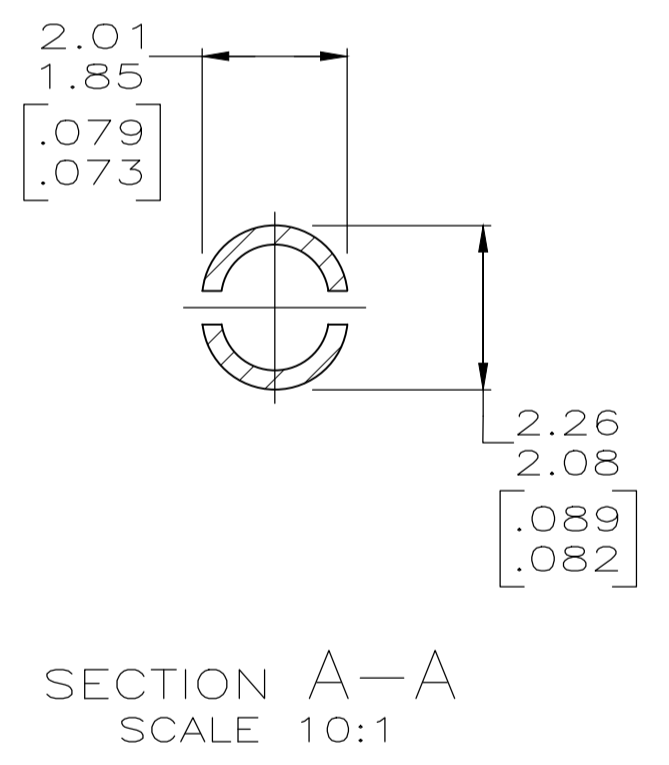
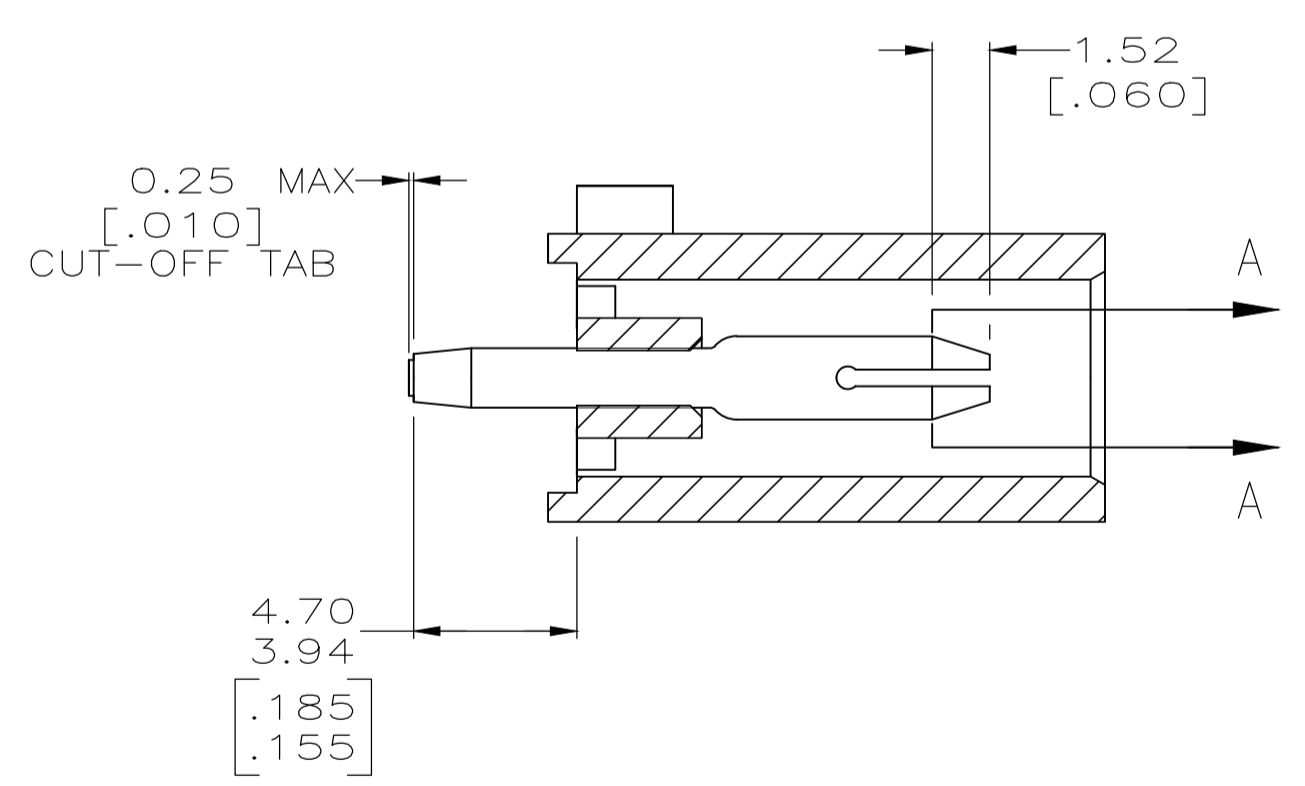
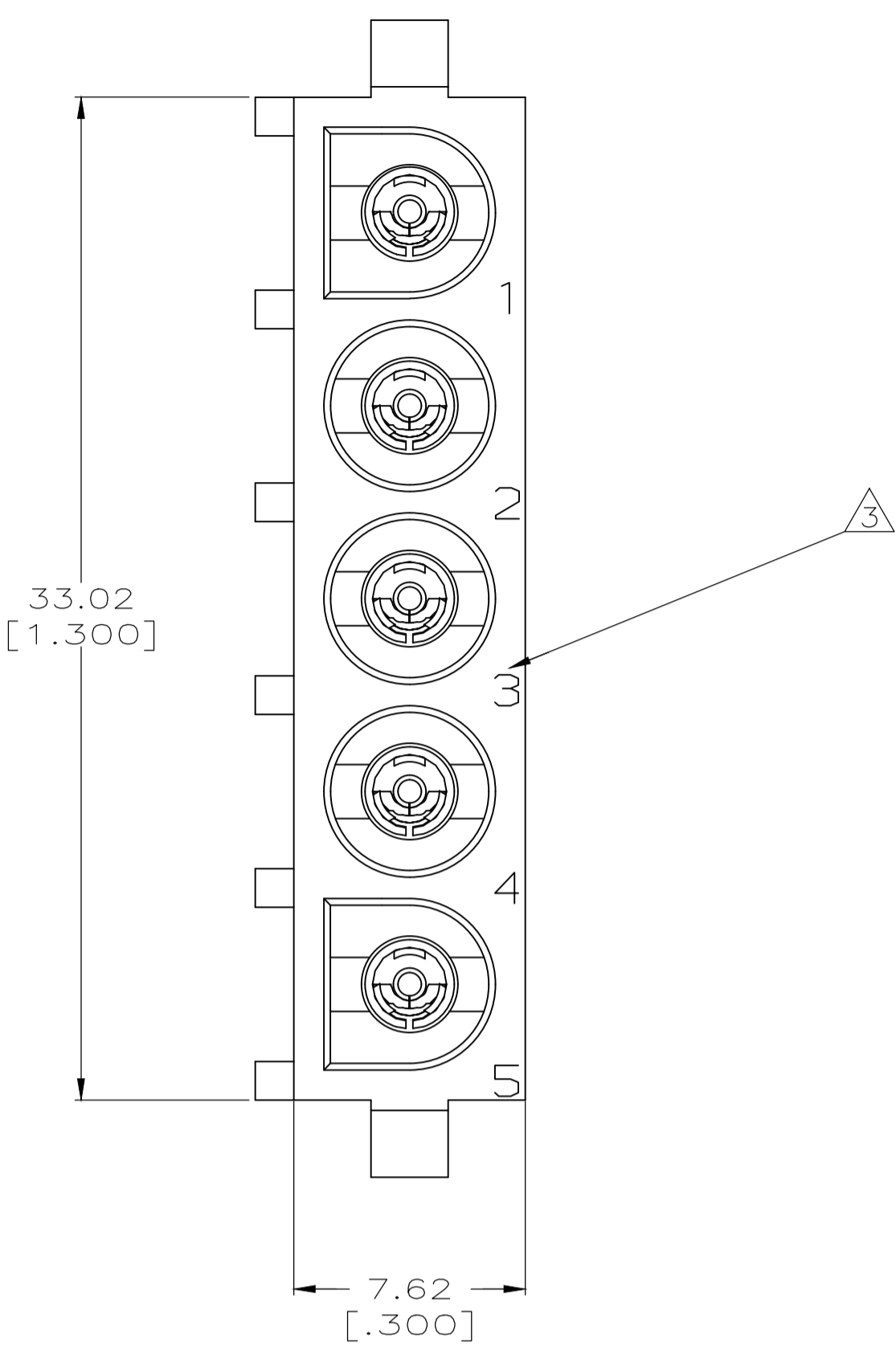
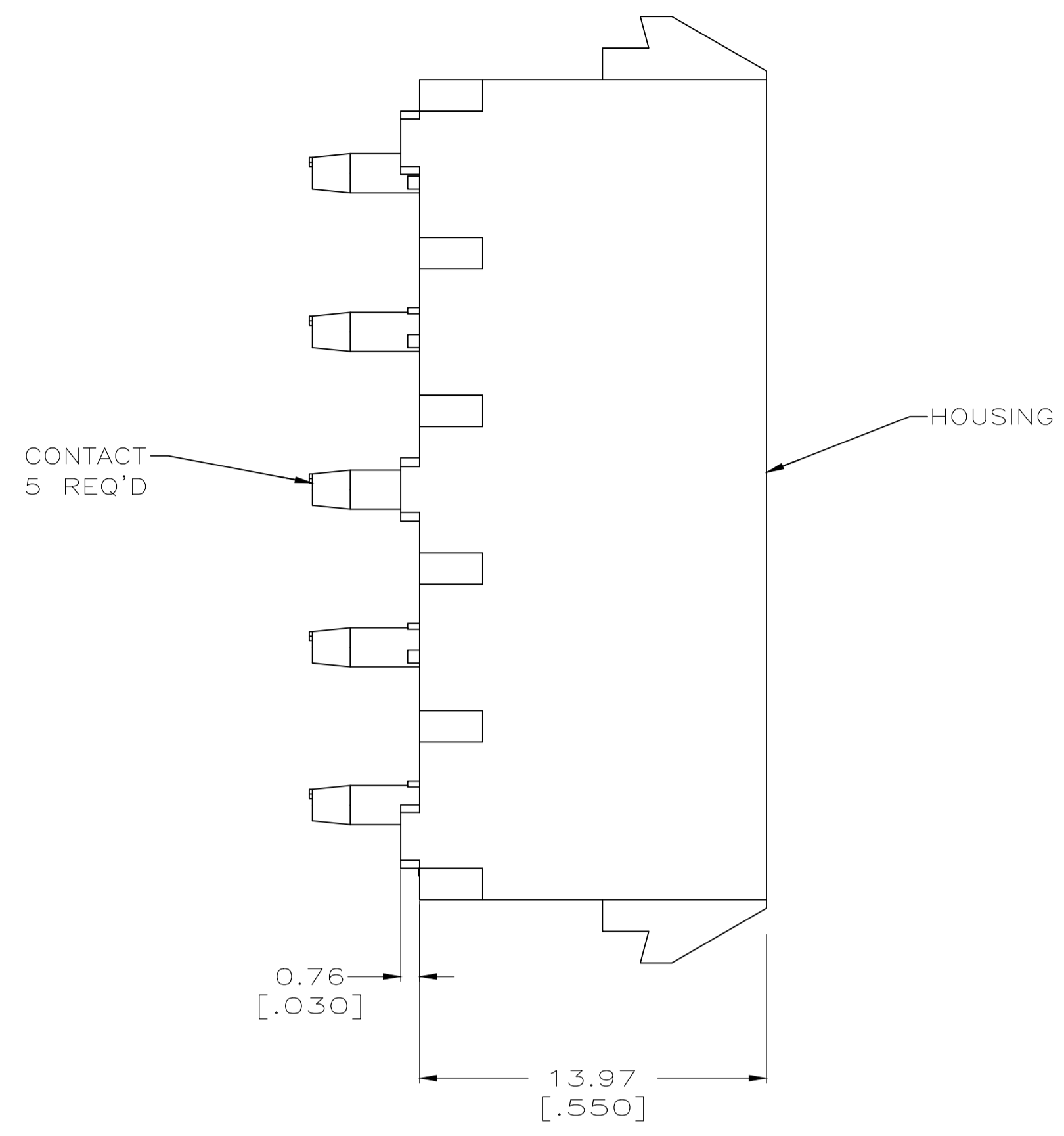
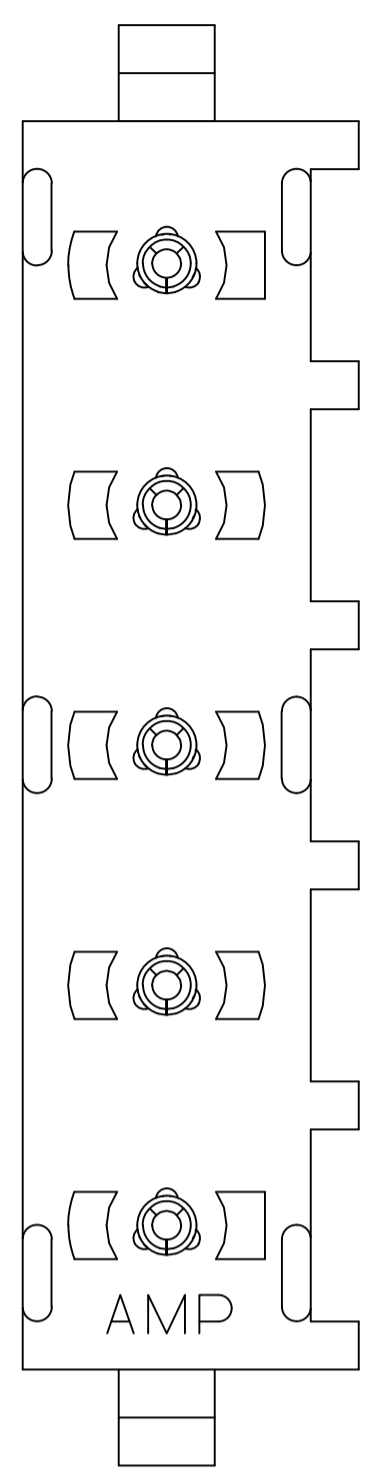
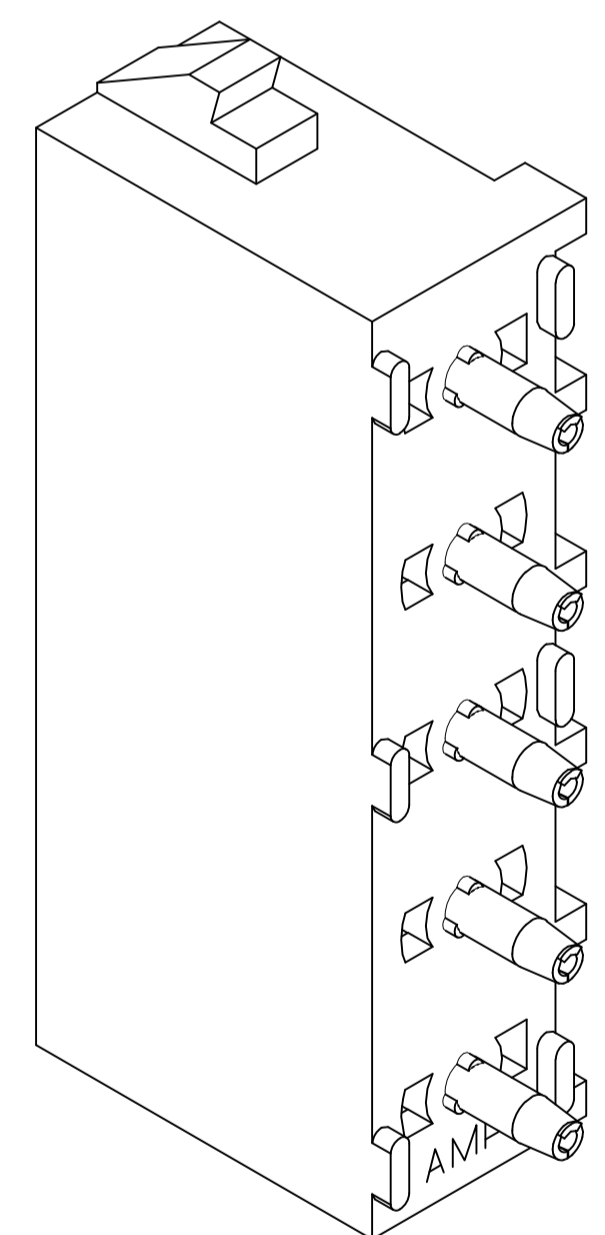


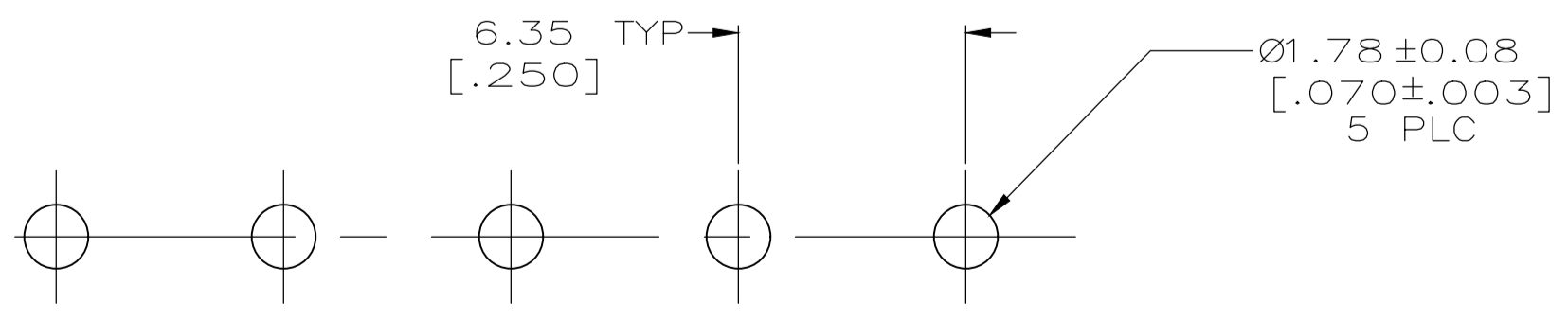
REVISIONS					
P	LTR	DESCRIPTION	DATE	DMN	APVD
B1		REV PER ECO-19-012183	06AUG2019	RS	SF



- PARTS COMPLY TO AMP SOLDERABILITY SPECIFICATION 109-11-3.
- DIMENSIONS IN BRACKETS ARE IN INCHES.
- CIRCUIT IDENTIFICATION CHARACTERS ARE ADJACENT TO THE INDICATED CAVITIES, BUT LOCATION AND ORIENTATION MAY DIFFER FROM PRINT.
- FLAMMABILITY V2 FOR THICKNESS 0.38mm, 1.5mm, and 3.0mm PER IEC 60695-11-10.
- GLOW-WIRE FLAMMABILITY (GWFI) 800°C FOR THICKNESS 0.38mm AND 0.75mm PER IEC 60695-2-12.
- GLOW-WIRE FLAMMABILITY (GWFI) 960°C FOR THICKNESS 1.5mm AND 3.0mm PER IEC 60695-2-12.
- GLOW-WIRE IGNITION (GWIT) 825°C FOR THICKNESS 0.38mm, 0.75mm, 1.5mm AND 3.0mm PER IEC 60695-2-13.
- DIMENSIONS SHOWN REPRESENT PRODUCT IN DRY, AS MOLDED CONDITION. ADDITIONAL 2% GROWTH DUE TO SUBSEQUENT MOISTURE ABSORPTION MAY OCCUR AND SHOULD BE ACCOUNTED FOR.



3-DIMENSIONAL MODEL NTS



RECOMMENDED MOUNTING HOLE PATTERN FOR 1.57 [.062] THICK P.C. BOARD

PHOSPHOR BRONZE, PRE-TIN PIN CONTACT MATERIAL AND FINISH		NYLON, UL94V-2, NATURAL HOUSING MATERIAL		1586968-1 PART NUMBER	
THIS DRAWING IS A CONTROLLED DOCUMENT.		DIN K. WHITAKER 07AUG2007 CHK D. COLEY 07AUG2007		TE Connectivity	
DIMENSIONS: mm [INCHES]		TOLERANCES UNLESS OTHERWISE SPECIFIED:		APVD D. COLEY 07AUG2007 NAME	
0 PLC ± -		1 PLC ± -		PRODUCT SPEC	
2 PLC ± 0.13 [.005]		3 PLC ± -		APPLICATION SPEC	
4 PLC ± -		5 PLC ± -		SIZE CAGE CODE DRAWING NO	
ANGLES ± # 0°30'		FINISH SEE TABLE		WEIGHT 0.000000 A1 00779 C=1586968	
MATERIAL SEE TABLE		FINISH SEE TABLE		CUSTOMER DRAWING SCALE 5:1 SHEET 1 OF 1 REV B1	

