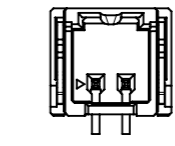
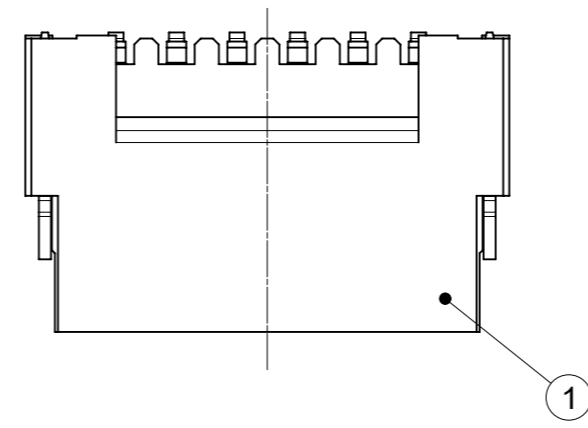
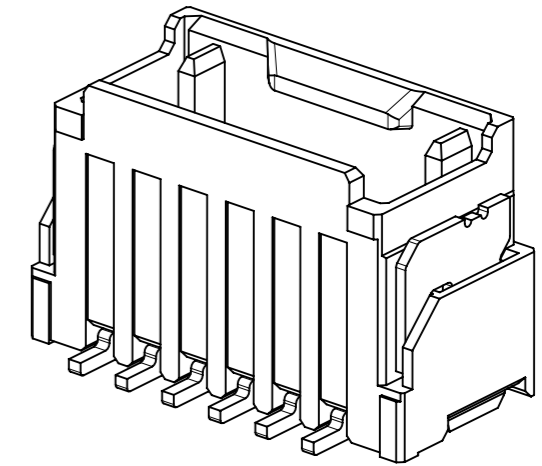


NOTES

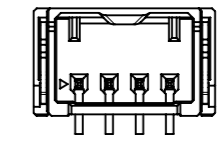
- ① 材料及び仕上げ(めっき仕様) : TABLE 1 参照
MATERIAL AND FINISHES : SEE TABLE 1
- 2. 製品仕様書 : 2059790000-PS 000
PRODUCT SPECIFICATION:2059790000-PS 000
- 3. 梱包形態 : SHEET 4 参照
PACKAGING INFORMATION : SEE SHEET 4
- ④ 嵌合相手 : 205979(ISLタイプ),212724(TPAタイプ) シリーズ
MATES WITH:205979(ISL TYPE),212724(TPA TYPE) SERIES
- 5. アプリケーション仕様書
(コネクタ取扱い説明書) : 2059790000-AS 000
APPLICATION SPECIFICATION
(CONNECTOR MANUAL):2059790000-AS 000
- 6. 端子テール部及びネイルの平坦度:0.1 MAX
TAIL AND NAIL COPLANARITY TO BE 0.1 MAX
- ⑦ 極数/2 = 偶数に適応
APPLY FOR CIRCUIT SIZE / 2 =EVEN
- 8. 端子テール部及びネイルに錫ビスマスめっきを使用している為、
外観に摺動痕が付く場合があります。
THE WOUND OF FRICTION MIGHT ADHERE TO
EXTERNALS BECAUSE THE TIN BISMUTH PLATING IS
USED FOR THE TAIL AND NAIL.
- 9. 本製品のプラスチック部に黒点・白点等が確認される場合や
色合いが異なる場合がありますが、製品性能に影響はありません。
THERE IS NO INFLUENCE IN THE PRODUCT
PERFORMANCE THOUGH THE BLACK AND WHITE SPOT ETC.
MIGHT BE CONFIRMED TO THE PLASTIC PART OF
THIS PRODUCT AND THE SHADE MIGHT BE DIFFERENT.

① TABLE 1

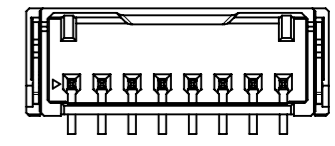
番号 No.	部品 PART	材質 MATERIAL
①	ハウジング HOUSING	ポリアミド(PA), UL94V-0, 色 : SEE CHART POLYAMIDE(PA), UL94V-0, COLOR : SEE CHART
②	ターミナル TERMINAL	黄銅 BRASS
		錫ビスマスめっき : 1.0 micro-meter MIN TIN BISMUTH PLATING(TAIL AREA,CONTACT AREA) ニッケルめっき(下地): 1.0 micro-meter MIN NICKEL(UNDER PLATING)
③	ネイル NAIL	黄銅 BRASS
		錫めっき : 1.0 micro-meter MIN MATTE TIN PLATING ニッケルめっき(下地): 1.0 micro-meter MIN NICKEL(UNDER PLATING)



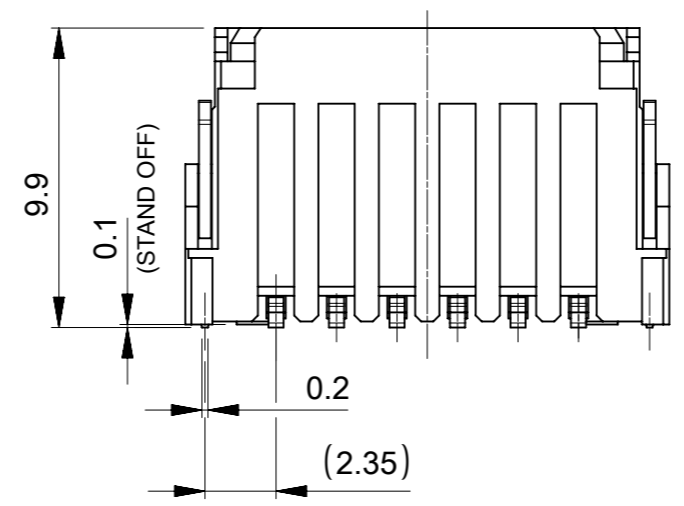
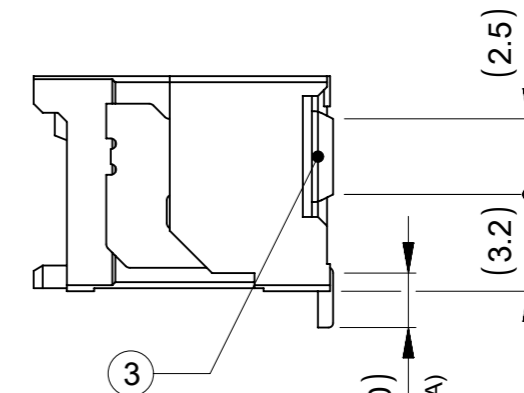
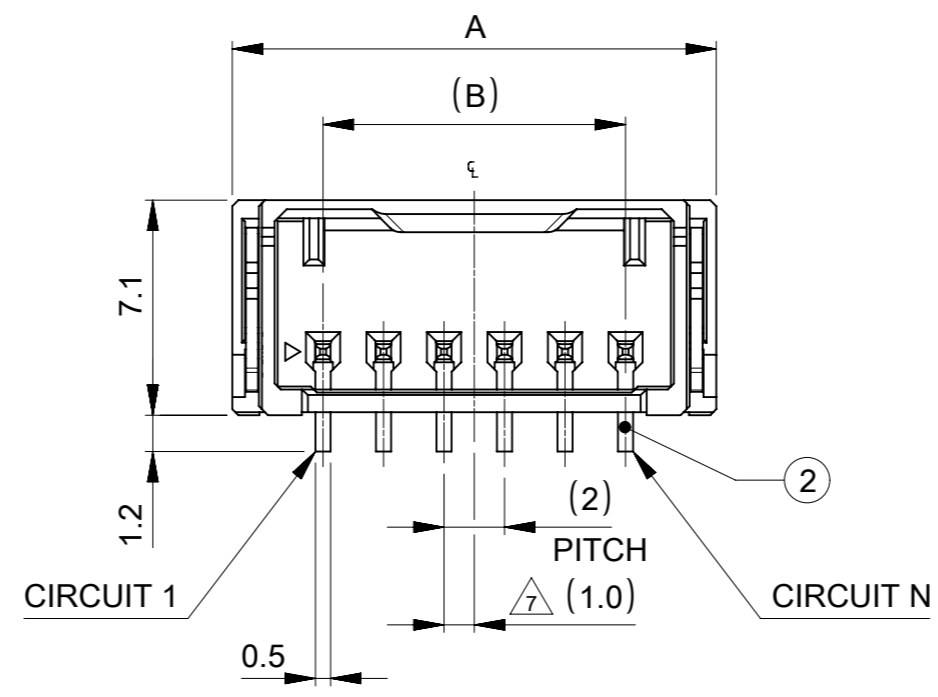
VIEW OF 2-3 CIRCUIT



VIEW OF 4-6 CIRCUIT



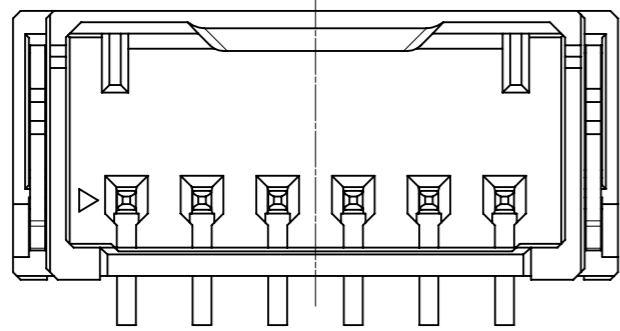
VIEW OF 7-8 CIRCUIT



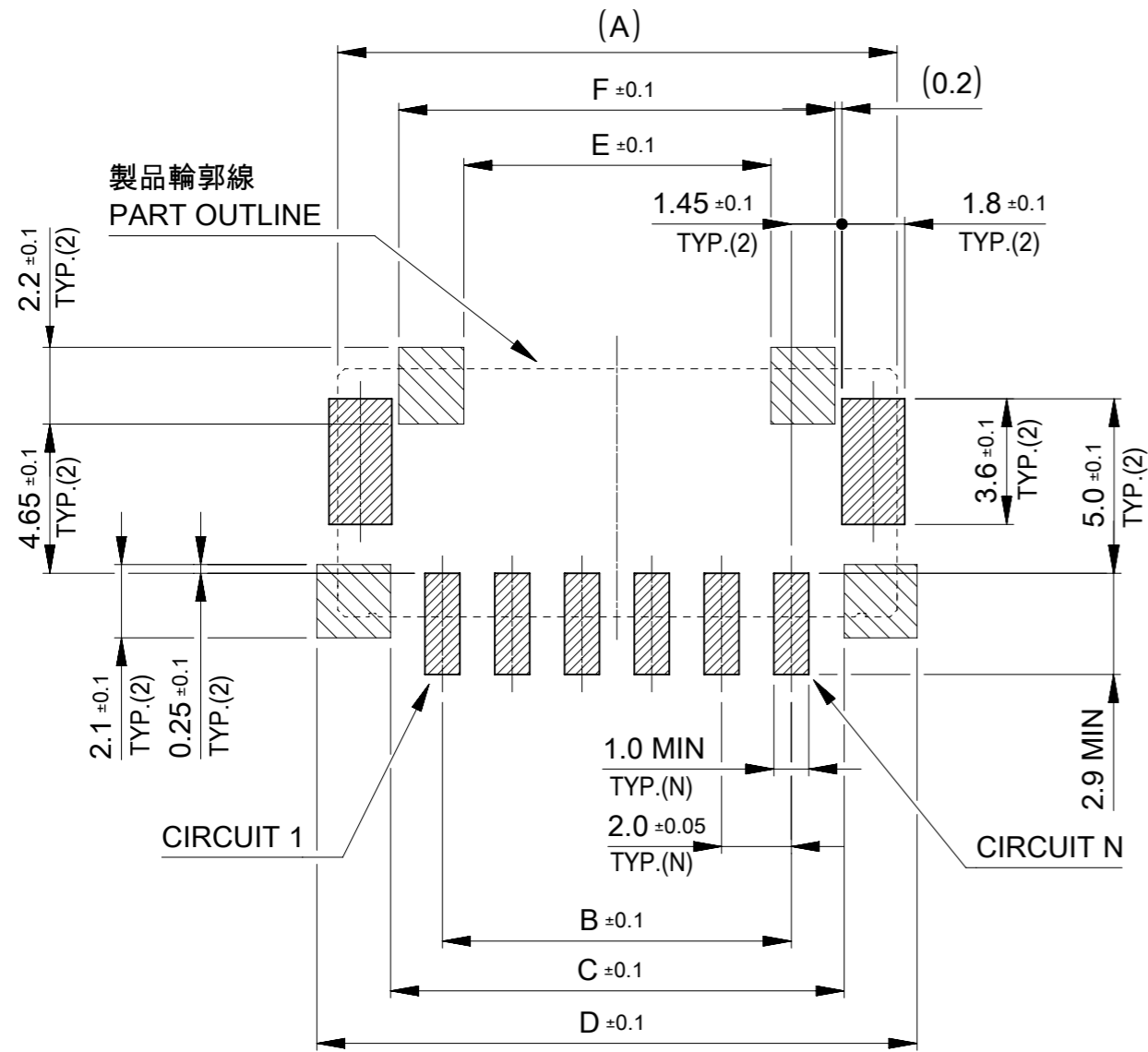
14	20	8
12	18	7
10	16	6
8	14	5
6	12	4
4	10	3
2	8	2
B	A	極数 CIRCUIT SIZE

THIS DRAWING CONTAINS INFORMATION THAT IS PROPRIETARY TO MOLEX ELECTRONIC TECHNOLOGIES, LLC AND SHOULD NOT BE USED WITHOUT WRITTEN PERMISSION

DIMENSION UNITS	SCALE	CURRENT REV DESC.	molex		
mm	NTS		MICRO-ONE 2.0W/B HEAD ASSEMBLY VERTICAL		
GENERAL TOLERANCES (UNLESS SPECIFIED)			PRODUCT CUSTOMER DRAWING		
ANGULAR TOL	± 3.0 °	EC NO: 658675	DOCUMENT NUMBER		
4 PLACES	± 0.2	DRWN: KYAMADA02	2020/12/16	2059710000-SD	
3 PLACES	± 0.2	CHK'D: AIDA	2021/04/23	PSD	000
2 PLACES	± 0.2	APPR: SAKIYAMA	2021/04/23	B	
1 PLACE	± 0.2	INITIAL REVISION:	SHEET NUMBER		
0 PLACES	± 0.2	DRWN: TGREGORI	2018/02/16	1 OF 5	
DRAFT WHERE APPLICABLE MUST REMAIN WITHIN DIMENSIONS		THIRD ANGLE PROJECTION	DRAWING	SERIES	MATERIAL NUMBER
			A3-SIZE	205971	SEE TABLE
					CUSTOMER
					GENERAL



製品レイアウト
PRODUCT LAYOUT

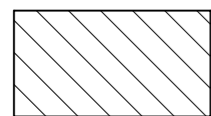


推奨基板レイアウト:実装面側

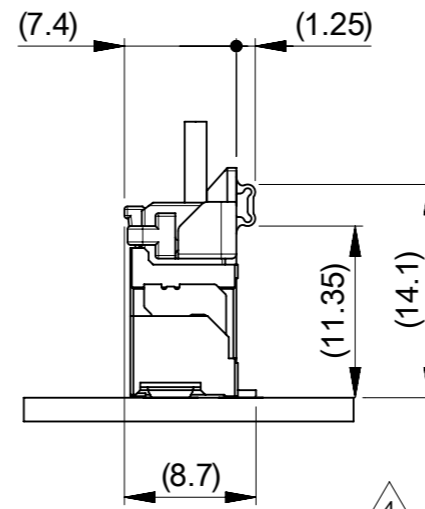
(参考: 基板厚1.6mm, メタルマスク厚0.15mm, マスク開口率100%)

SUGGESTED PCB LAYOUT : COMPONENT SIDE

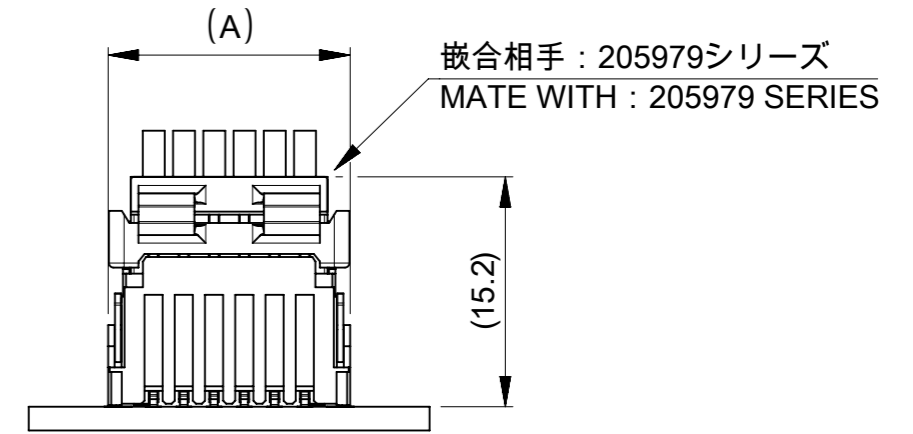
(REFERENCE: PCB THICKNESS 1.6mm, STENCIL THICKNESS 0.15mm, APERTURE RATIO 100%)



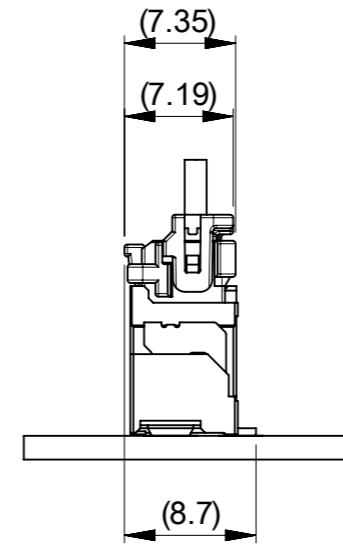
:パターン禁止エリア
RESTRICTED AREA
NO PCB COMPONENTS ALLOWED



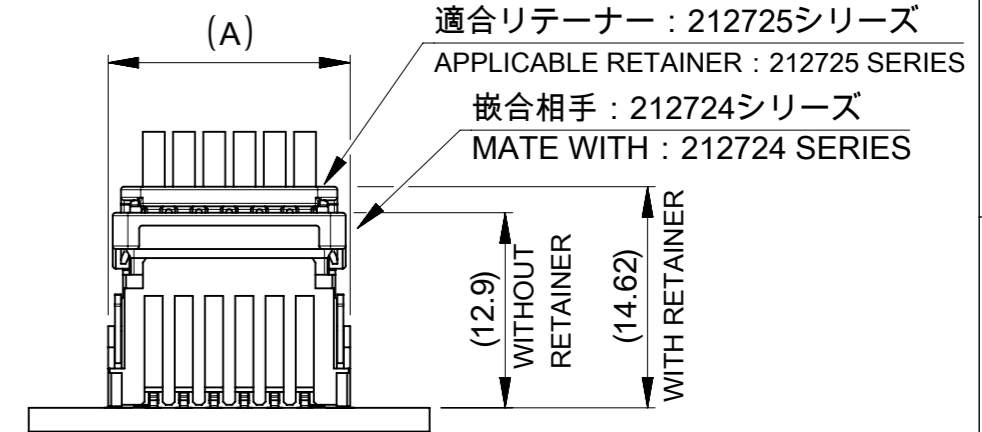
△ ISLタイプ嵌合図
MATED CONNECTOR OF ISL TYPE



嵌合相手: 205979シリーズ
MATE WITH: 205979 SERIES



△ TPAタイプ嵌合図
MATED CONNECTOR OF TPA TYPE

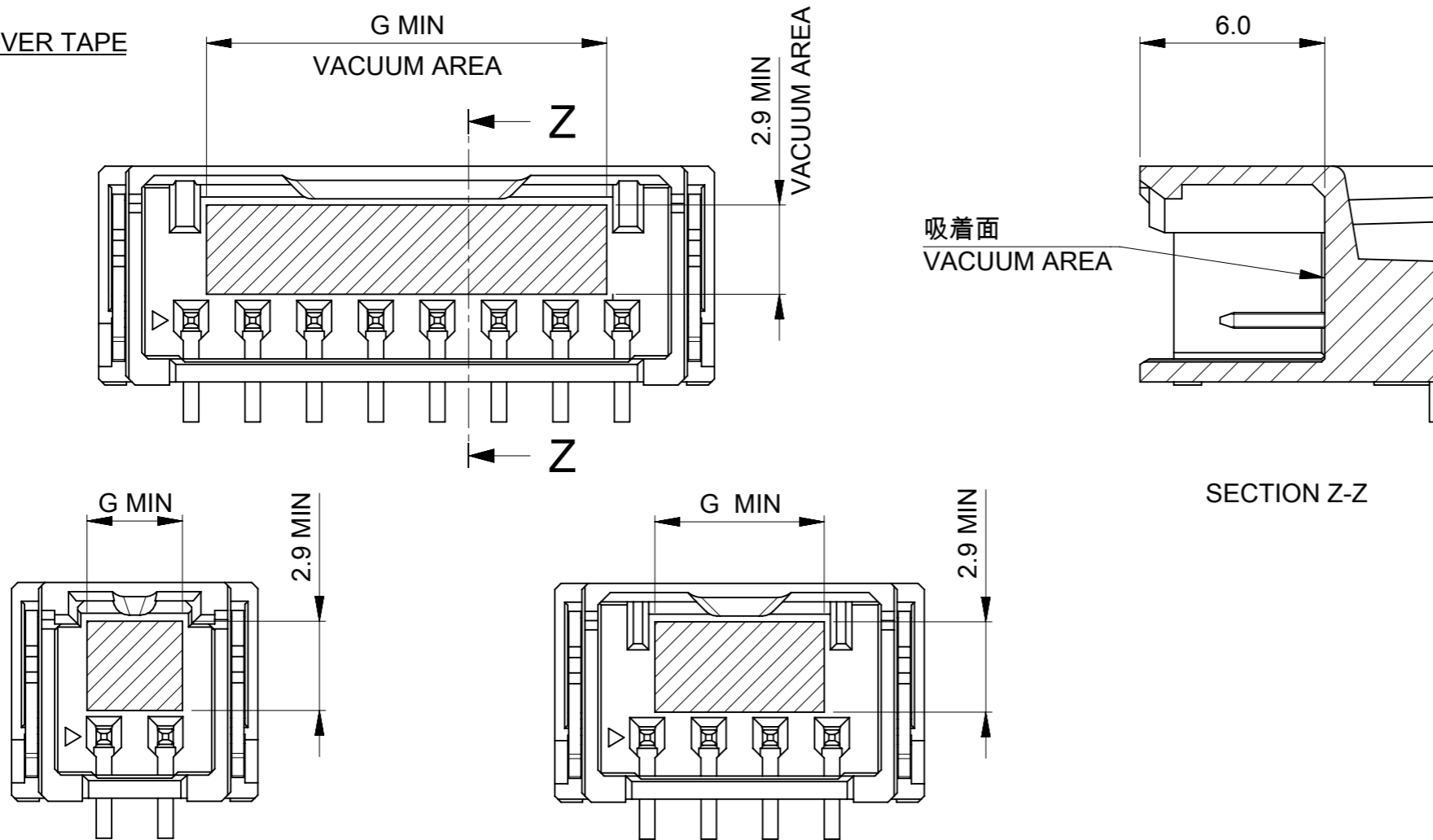


適合リテーナー: 212725シリーズ
APPLICABLE RETAINER: 212725 SERIES
嵌合相手: 212724シリーズ
MATE WITH: 212724 SERIES

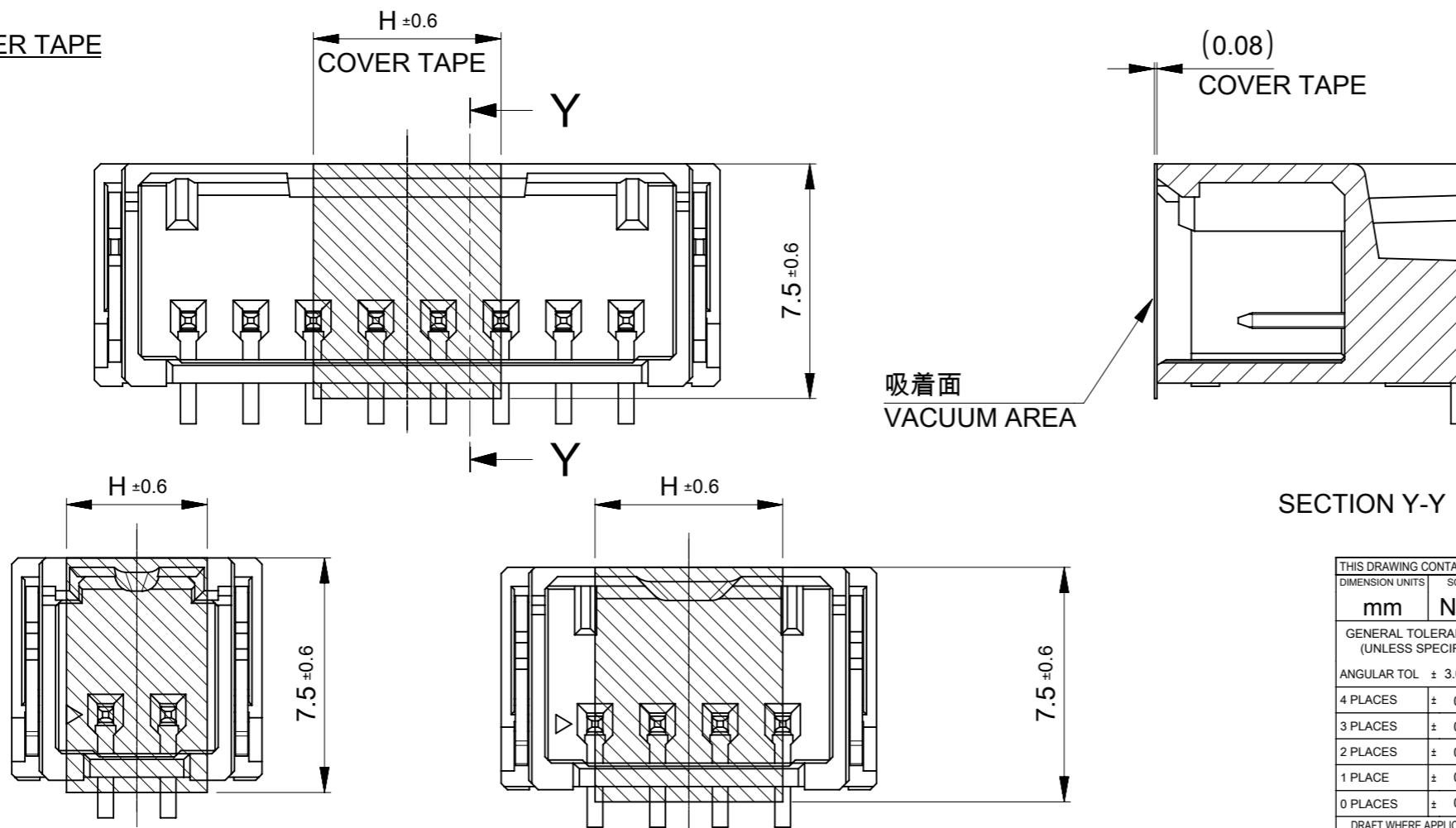
16.5	13.6	21.2	17.0	8
14.5	11.6	19.2	15.0	7
12.5	9.6	17.2	13.0	6
10.5	7.6	15.2	11.0	5
8.5	5.6	13.2	9.0	4
6.5	3.6	11.2	7.0	3
4.5	1.6	9.2	5.0	2
F	E	D	C	極数 CIRCUIT SIZE

THIS DRAWING CONTAINS INFORMATION THAT IS PROPRIETARY TO MOLEX ELECTRONIC TECHNOLOGIES, LLC AND SHOULD NOT BE USED WITHOUT WRITTEN PERMISSION		CURRENT REV DESC:		molex	
DIMENSION UNITS	SCALE				
mm	NTS			MICRO-ONE 2.0W/B HEAD ASSEMBLY VERTICAL	
GENERAL TOLERANCES (UNLESS SPECIFIED)				PRODUCT CUSTOMER DRAWING	
ANGULAR TOL ± 3.0 °				DOCUMENT NUMBER	
4 PLACES	± 0.2	EC NO: 658675	2020/12/16	2059710000-SD	
3 PLACES	± 0.2	DRWN: KYAMADA02	2021/04/23	DOC TYPE	DOC PART
2 PLACES	± 0.2	CHK'D: AIDA	2021/04/23	PSD	000
1 PLACE	± 0.2	APPR: SAKIYAMA		REVISION	B
0 PLACES	± 0.2	INITIAL REVISION:			
DRAFT WHERE APPLICABLE MUST REMAIN WITHIN DIMENSIONS		DRWN: TGREGORI	2018/02/16		
THIRD ANGLE PROJECTION		APPR: SAKIYAMA	2020/07/10		
DRAWING		SERIES	MATERIAL NUMBER	CUSTOMER	
A3-SIZE		205971	SEE TABLE	GENERAL	
SHEET NUMBER		2 OF 5			

CASE OF WITHOUT COVER TAPE



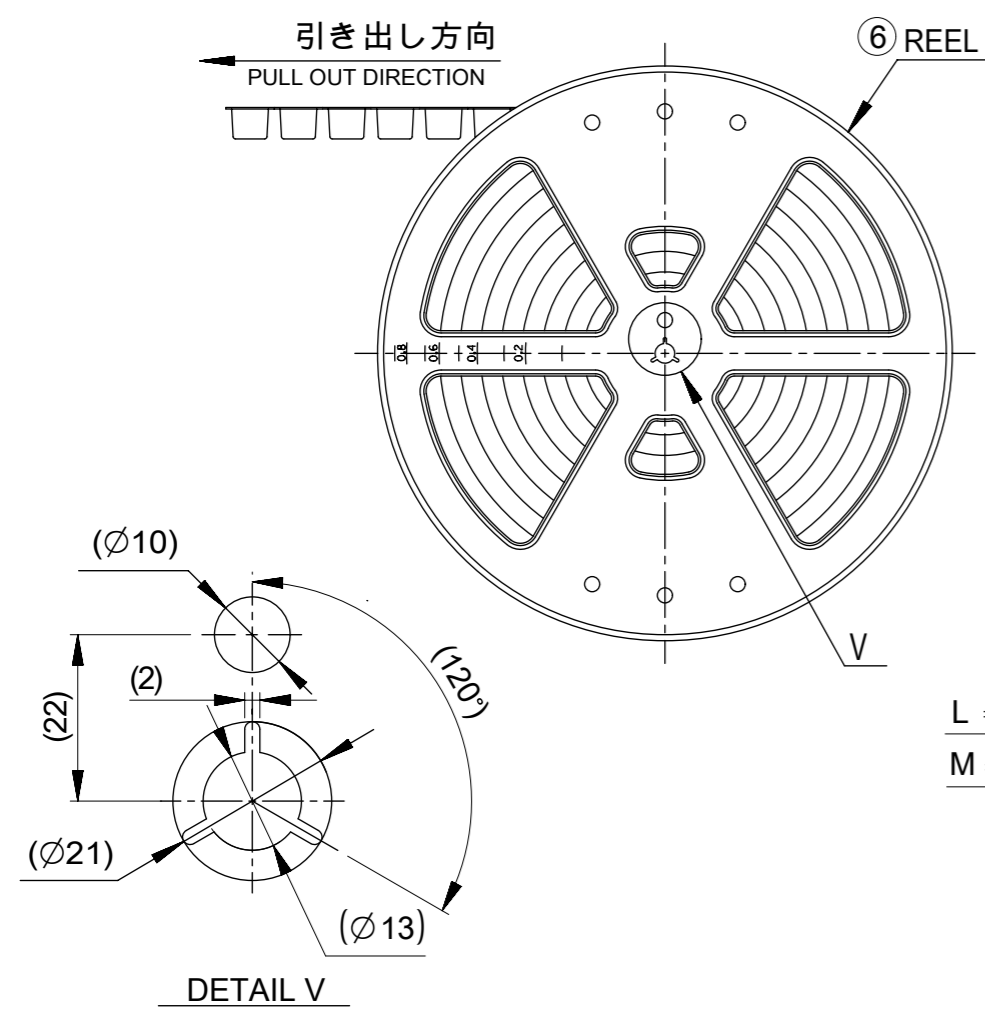
CASE OF WITH COVER TAPE



8.0	13.0	8
	11.0	7
	9.5	6
6.0	7.5	5
	5.5	4
4.5	4.4	3
	3.1	2
H	G	極数 CIRCUIT SIZE

THIS DRAWING CONTAINS INFORMATION THAT IS PROPRIETARY TO MOLEX ELECTRONIC TECHNOLOGIES, LLC AND SHOULD NOT BE USED WITHOUT WRITTEN PERMISSION

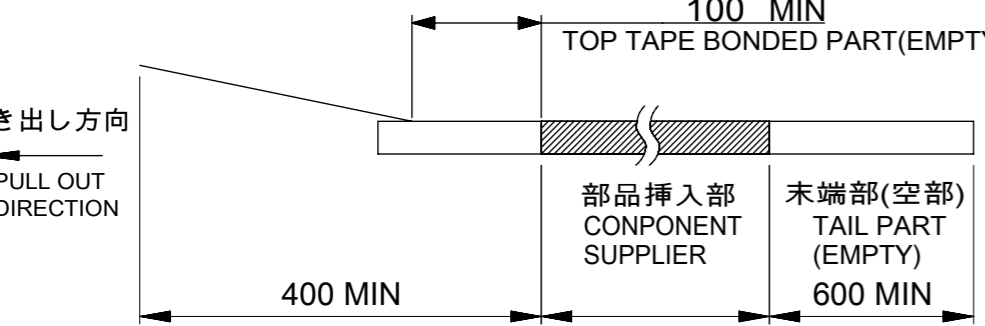
DIMENSION UNITS	SCALE	CURRENT REV DESC:	
mm	NTS		
GENERAL TOLERANCES (UNLESS SPECIFIED)			
ANGULAR TOL	± 3.0 °		
4 PLACES	± 0.2	EC NO: 658675	
3 PLACES	± 0.2	DRWN: KYAMADA02	2020/12/16
2 PLACES	± 0.2	CHK'D: AIDA	2021/04/23
1 PLACE	± 0.2	APPR: SAKIYAMA	2021/04/23
0 PLACES	± 0.2	INITIAL REVISION:	
DRAFT WHERE APPLICABLE MUST REMAIN WITHIN DIMENSIONS		DRWN: TGREGORI	2018/02/16
THIRD ANGLE PROJECTION		APPR: SAKIYAMA	2020/07/10
DRAWING	SERIES	MATERIAL NUMBER	CUSTOMER
A3-SIZE	205971	SEE TABLE	GENERAL
DOCUMENT NUMBER		DOC TYPE	DOC PART
2059710000-SD		PSD	000
SHEET NUMBER		REVISION	
3 OF 5		B	



NOTES

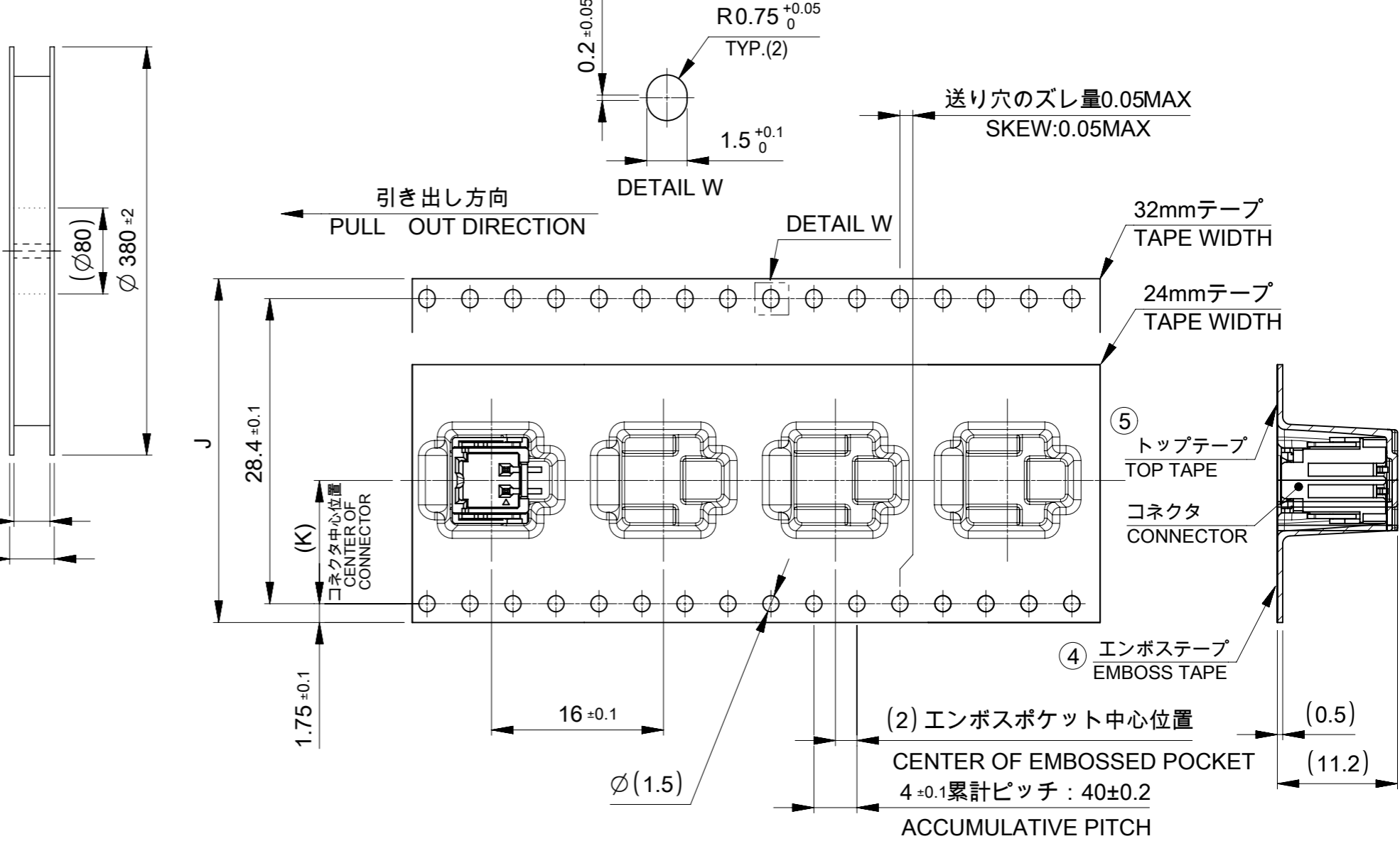
10. 梱包数量 : 500個/リール
NUMBER OF CONNECTORS : 500 PIECES/REEL

11. リードテープ長さ
LEAD TAPE LENGTH



12. トップテープの剥離強度はIEC60286-3に準拠。
TOP TAPE PEELING FORCE IS DEFINED BY IEC60286-3.

番号 NO.	部品 PART	材質 MATERIAL
④	エンボステープ EMBOSS TAPE	ポリスチレン(PS)、その他 POLYSTYRENE(PS), etc
⑤	トップテープ TOP TAPE	ポリエチレン(PE)、その他 POLYETHYLENE(PE), etc
⑥	リール REEL	ポリスチレン(PS) <リサイクル材を含む> POLYSTYRENE(PS) <RECYCLE MATERIAL CONTAINED>



13. 発注番号 : SHEET 5 参照
ORDER No. : PLEASE REFER TO SHEET 5 FOR PRODUCT LIST.

205971 0 * * *

極数
CIRCUIT SIZE

- 0 : カバーテープなし NATURAL(BEIGE)
WITHOUT COVER TAPE NATURAL
- 1 : カバーテープなし BLACK
WITHOUT COVER TAPE BLACK
- 2 : カバーテープあり NATURAL(BEIGE)
WITH COVER TAPE NATURAL
- 3 : カバーテープあり BLACK
WITH COVER TAPE BLACK

37.5	33.5	14.2	32±0.3	8
				7
				6
29.5	25.5	11.5	24 ^{+0.3} _{-0.1}	5
				4
				3
				2
M	L	K	エンボステープ幅 J WIDTH OF TEPE	極数 CIRCUIT SIZE

THIS DRAWING CONTAINS INFORMATION THAT IS PROPRIETARY TO MOLEX ELECTRONIC TECHNOLOGIES, LLC AND SHOULD NOT BE USED WITHOUT WRITTEN PERMISSION

DIMENSION UNITS	SCALE	CURRENT REV DESC.
mm	NTS	
GENERAL TOLERANCES (UNLESS SPECIFIED)		
ANGULAR TOL	± 3.0 °	
4 PLACES	± 0.2	EC NO: 658675
3 PLACES	± 0.2	DRWN: KYAMADA02 2020/12/16
2 PLACES	± 0.2	CHK'D: AIDA 2021/04/23
1 PLACE	± 0.2	APPR: SAKIYAMA 2021/04/23
0 PLACES	± 0.2	INITIAL REVISION:
		DRWN: TREGORI 2018/02/16
		APPR: SAKIYAMA 2020/07/10
DRAFT WHERE APPLICABLE MUST REMAIN WITHIN DIMENSIONS		THIRD ANGLE PROJECTION
DRAWING		SERIES
A3-SIZE		205971
MATERIAL NUMBER		CUSTOMER
SEE TABLE		GENERAL
DOCUMENT NUMBER		DOC TYPE DOC PART REVISION
2059710000-SD		PSD 000 B
SHEET NUMBER		
4 OF 5		

molex

MICRO-ONE 2.0W/B
HEAD ASSEMBLY VERTICAL

PRODUCT CUSTOMER DRAWING

10

9

8

7

6

5

4

3

2

1

F

F

E

E

D

D

C

C

B

B

A

A

△₁₃ 製品一覧 PRODUCT LIST

WITH COVER TAPE		WITHOUT COVER TAPE		
HOUSING COLOR BLACK	HOUSING COLOR NATURAL(BEIGE)	HOUSING COLOR BLACK	HOUSING COLOR NATURAL(BEIGE)	
2059710083	2059710082	2059710081	2059710080	8
↑ 0073	↑ 0072	↑ 0071	↑ 0070	7
0063	0062	0061	0060	6
0053	0052	0051	0050	5
0043	0042	0041	0040	4
↓ 0033	↓ 0032	↓ 0031	↓ 0030	3
2059710023	2059710022	2059710021	2059710020	2
発注番号 ORDER No.				極数
梱包形態 : エンボスリール PACKAGE:EMBOSSED REEL				CIRCUIT SIZE

THIS DRAWING CONTAINS INFORMATION THAT IS PROPRIETARY TO MOLEX ELECTRONIC TECHNOLOGIES, LLC AND SHOULD NOT BE USED WITHOUT WRITTEN PERMISSION											
DIMENSION UNITS mm	SCALE NTS	CURRENT REV DESC:					molex				
GENERAL TOLERANCES (UNLESS SPECIFIED)		EC NO: 658675									
ANGULAR TOL ± 3.0 °		DRWN: KYAMADA02 2020/12/16					MICRO-ONE 2.0W/B HEAD ASSEMBLY VERTICAL				
4 PLACES ± 0.2		CHK'D: AIDA 2021/04/23					PRODUCT CUSTOMER DRAWING				
3 PLACES ± 0.2		APPR: SAKIYAMA 2021/04/23					DOCUMENT NUMBER				
2 PLACES ± 0.2		INITIAL REVISION:					2059710000-SD		PSD	000	B
1 PLACE ± 0.2		DRWN: TGREGORI 2018/02/16					SERIES		GENERAL	SHEET NUMBER	
0 PLACES ± 0.2		APPR: SAKIYAMA 2020/07/10					A3-SIZE		5 OF 5		
DRAFT WHERE APPLICABLE MUST REMAIN WITHIN DIMENSIONS		THIRD ANGLE PROJECTION	DRAWING	SERIES	MATERIAL NUMBER	CUSTOMER					
			A3-SIZE	205971	SEE TABLE	GENERAL					