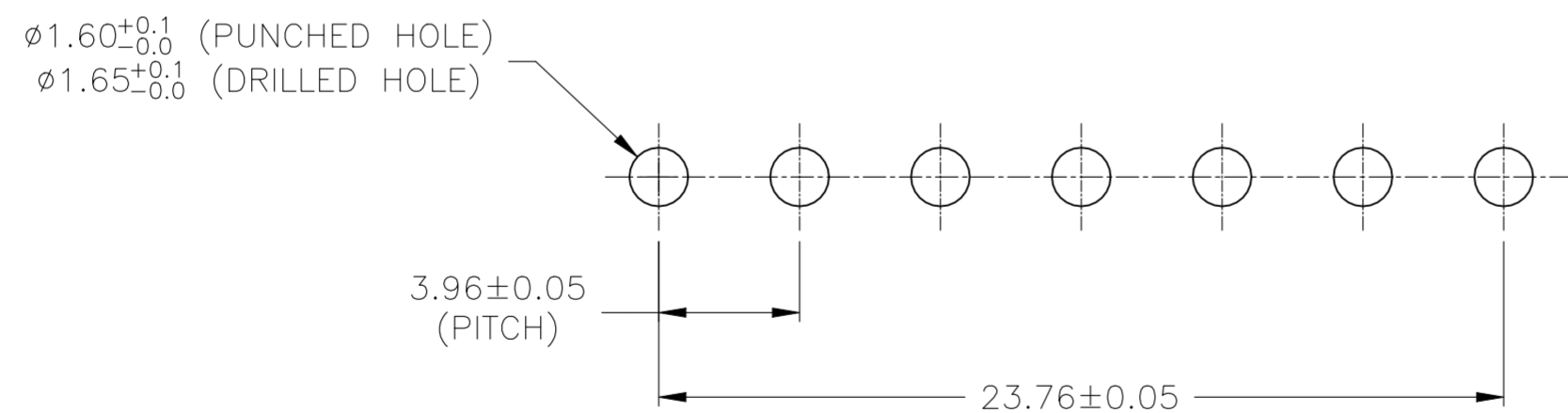
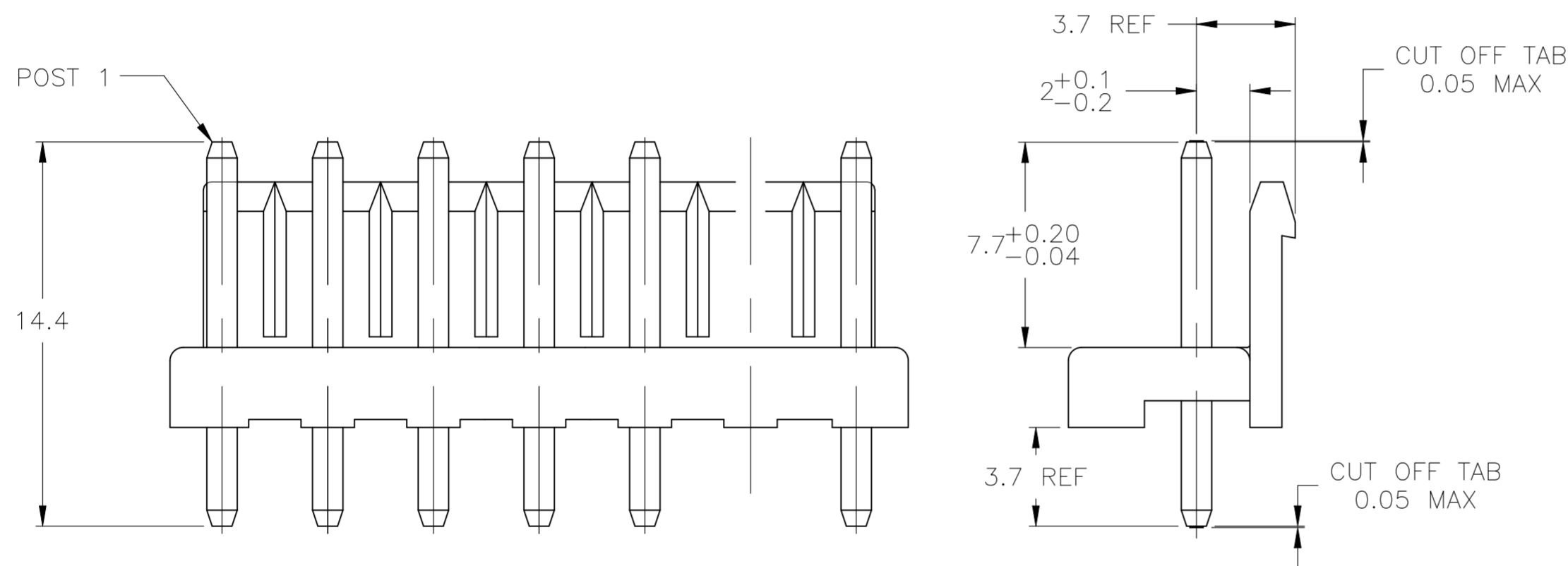
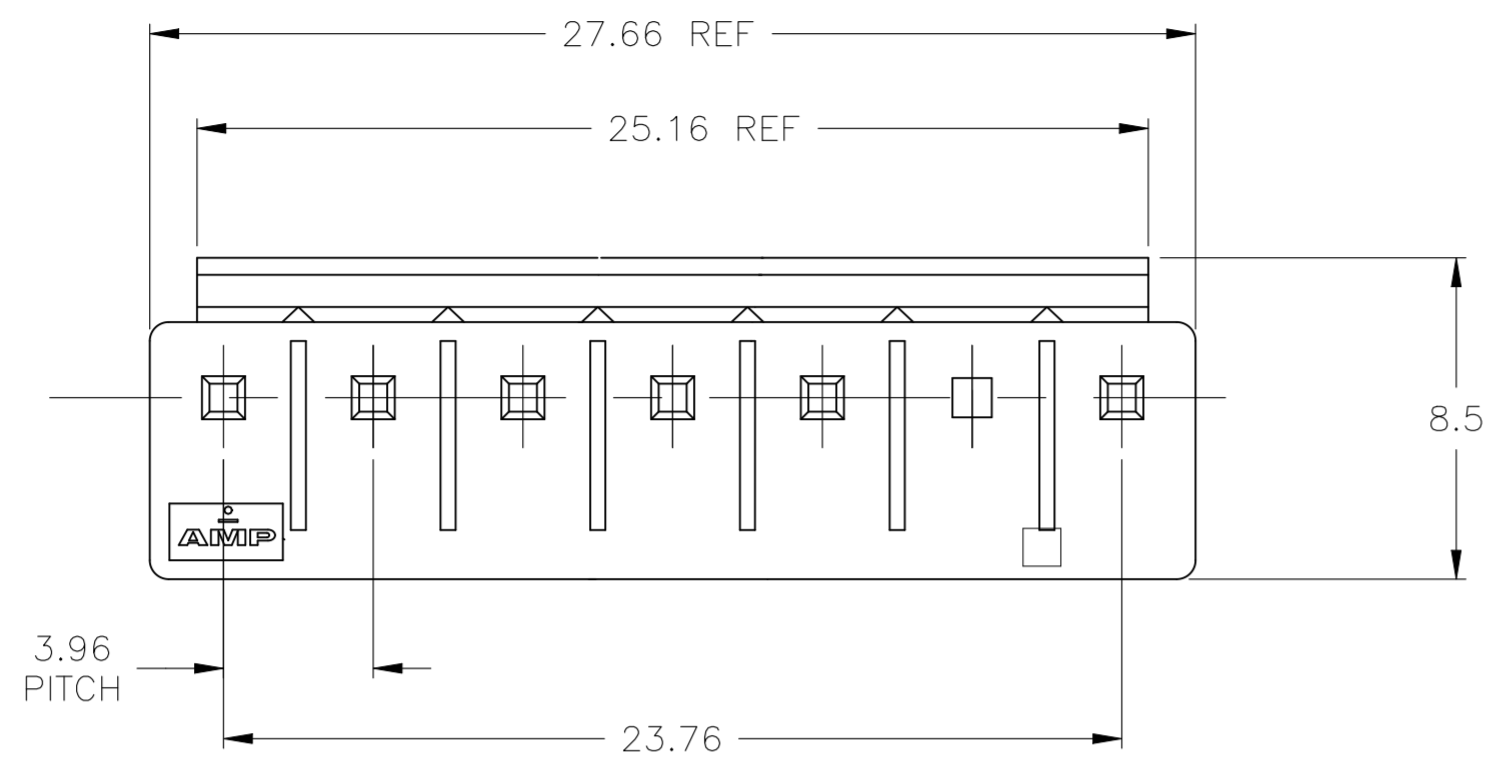


REVISIONS					
P	LTR	DESCRIPTION	DATE	DWN	APVD
D2		REVISED PER ECR-21-124255	21JAN2022	SS	DZ



PCB LAYOUT THICKNESS: 1.60

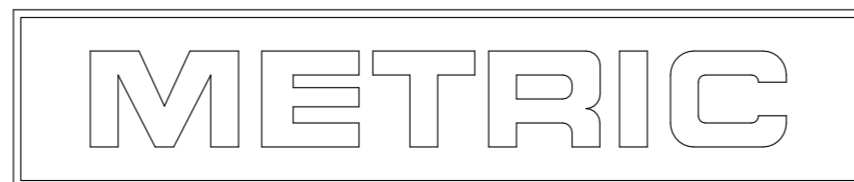
1 MATERIAL: HOUSING- PBT, NATURAL
 POST- BRASS, 1MICROMETER MIN TIN OVER
 0.8 MICROMETER MIN NICKEL.

2. RECOMMENDED MATING PART: *-1123722-*

3 0 : WITH PIN,
 X : WITHOUT PIN.

1744107-1 SHOWN

	0	X	0	X	0	X	0	BLUE	7	3-1744107-5
	0	X	0	X	0	X	0	YELLOW	7	2-1744107-5
	0	0	0	0	0	0	0	NATURAL	7	1-1744107-7
	0	X	0	X	0	X	0	BLACK	7	5-1744107-5
	0	X	0	X	0	X	0	RED	7	4-1744107-5
	0	X	0	X	0	X	0	NATURAL	7	1-1744107-5
	0	0	0	0	X	0	0	NATURAL	7	1744107-4
OBSOLETE	0	X	0	0	0	0	0	NATURAL	7	1744107-3
	0	0	X	0	0	0	0	NATURAL	7	1744107-2
OBSOLETE	0	0	0	0	0	X	0	NATURAL	7	1744107-1
	1	2	3	4	5	6	7	COLOR	NO. OF POSITIONS	ASSEMBLY PART NO.



THIS DRAWING IS A CONTROLLED DOCUMENT.

DIMENSIONS: mm	TOLERANCES UNLESS OTHERWISE SPECIFIED:	DWN K. WHITAKER 04JUN04	TE TE Connectivity
0 PLC ± -	1 PLC ± 0.5	CHK D. BOSSI 04JUN04	
2 PLC ± 0.30	3 PLC ± -	APVD D. BOSSI 04JUN04	NAME
4 PLC ± -	ANGLES ± -	PRODUCT SPEC 108-5609	HEADER ASSEMBLY, SPECIAL, OMITTED POST, 7 POSITION, ECONOMY POWER(EP)
MATERIAL	FINISH	APPLICATION SPEC	SIZE A2 CAGE CODE 00779 DRAWING NO C=1744107 RESTRICTED TO -
		WEIGHT -	SCALE N/A SHEET 1 OF 1 REV D2
		CUSTOMER DRAWING	