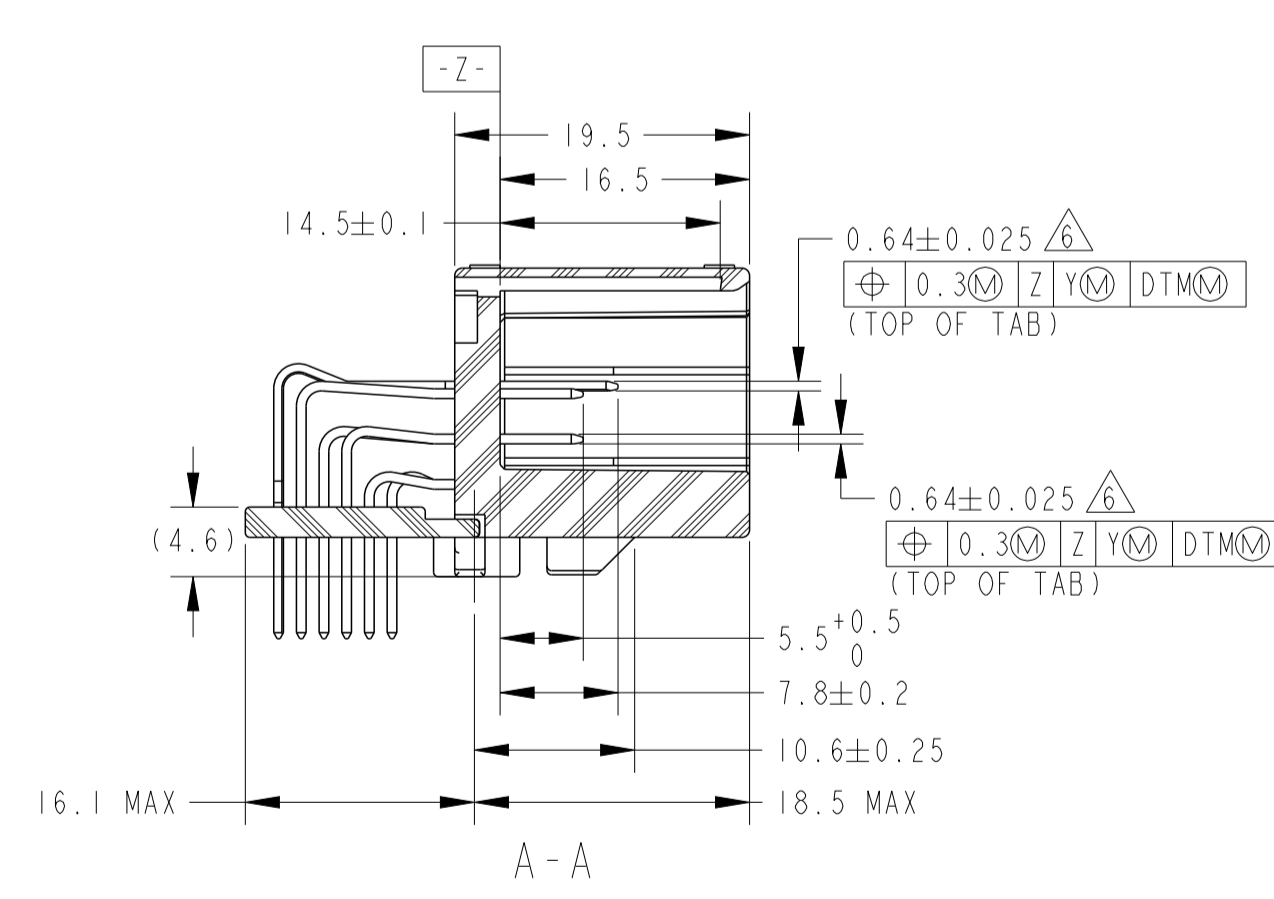
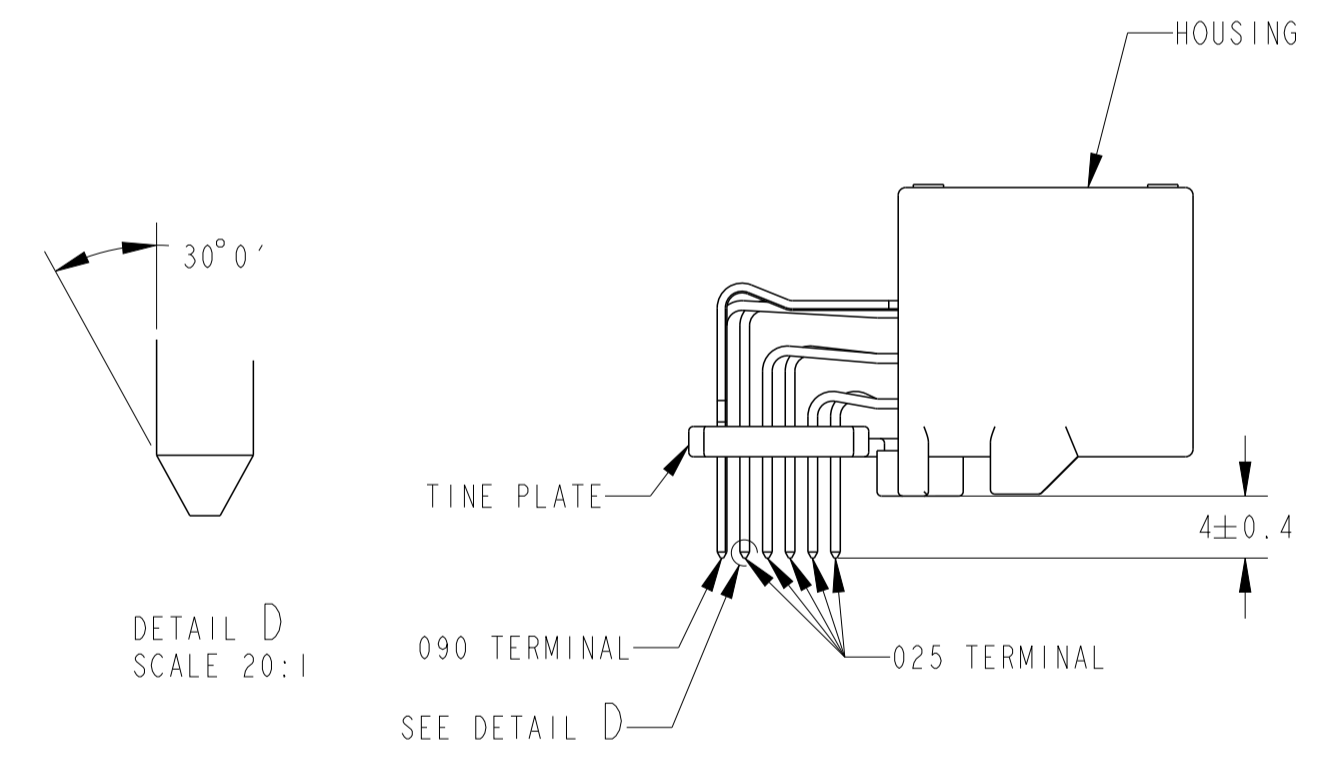
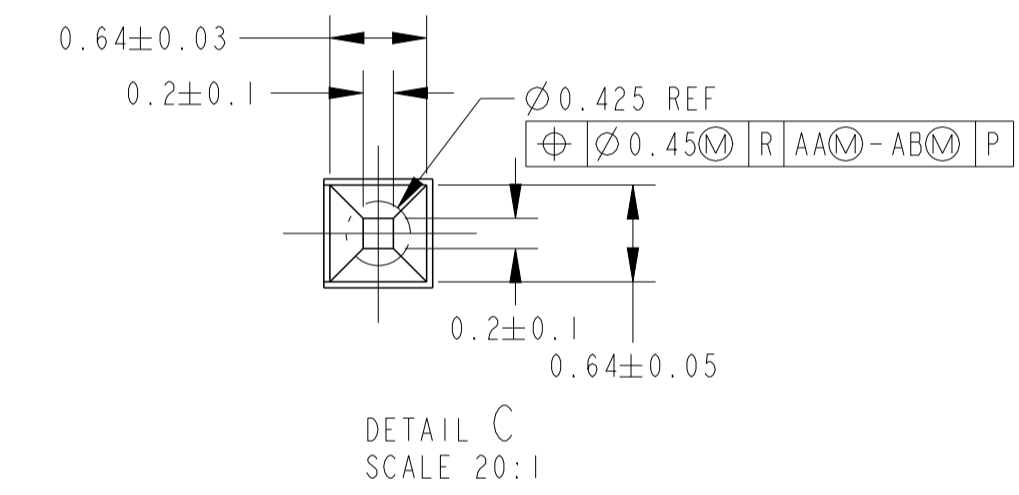
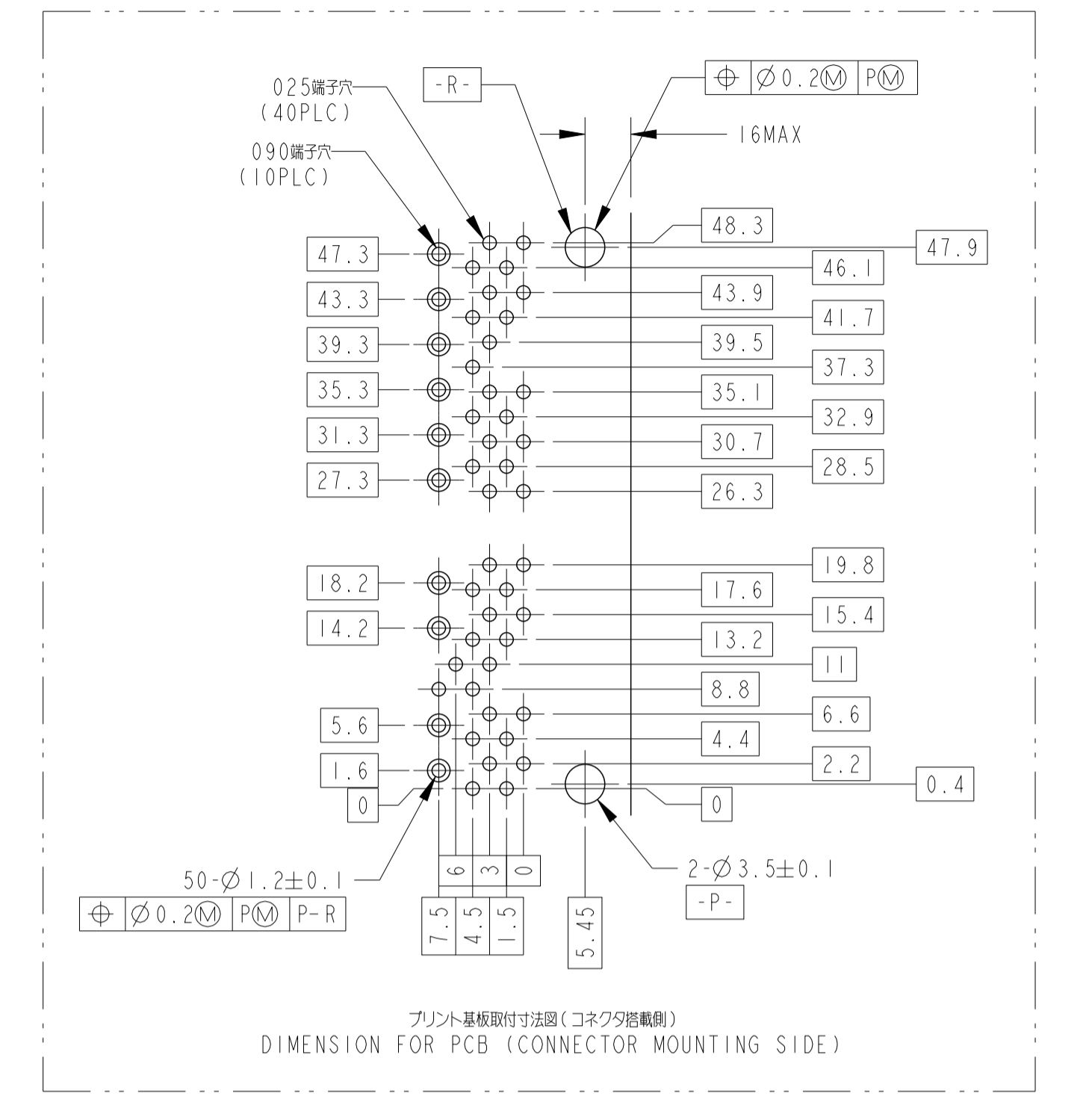
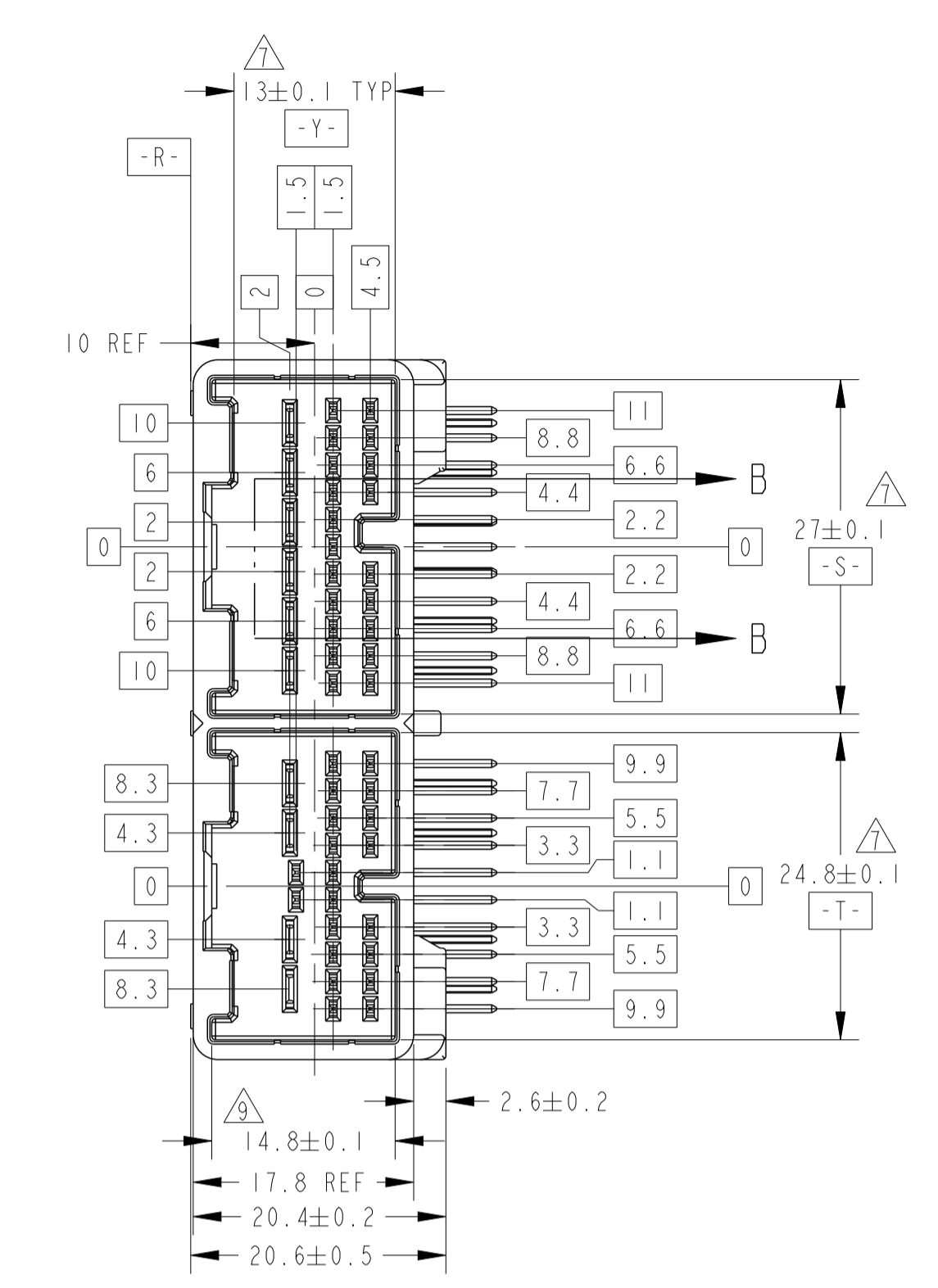
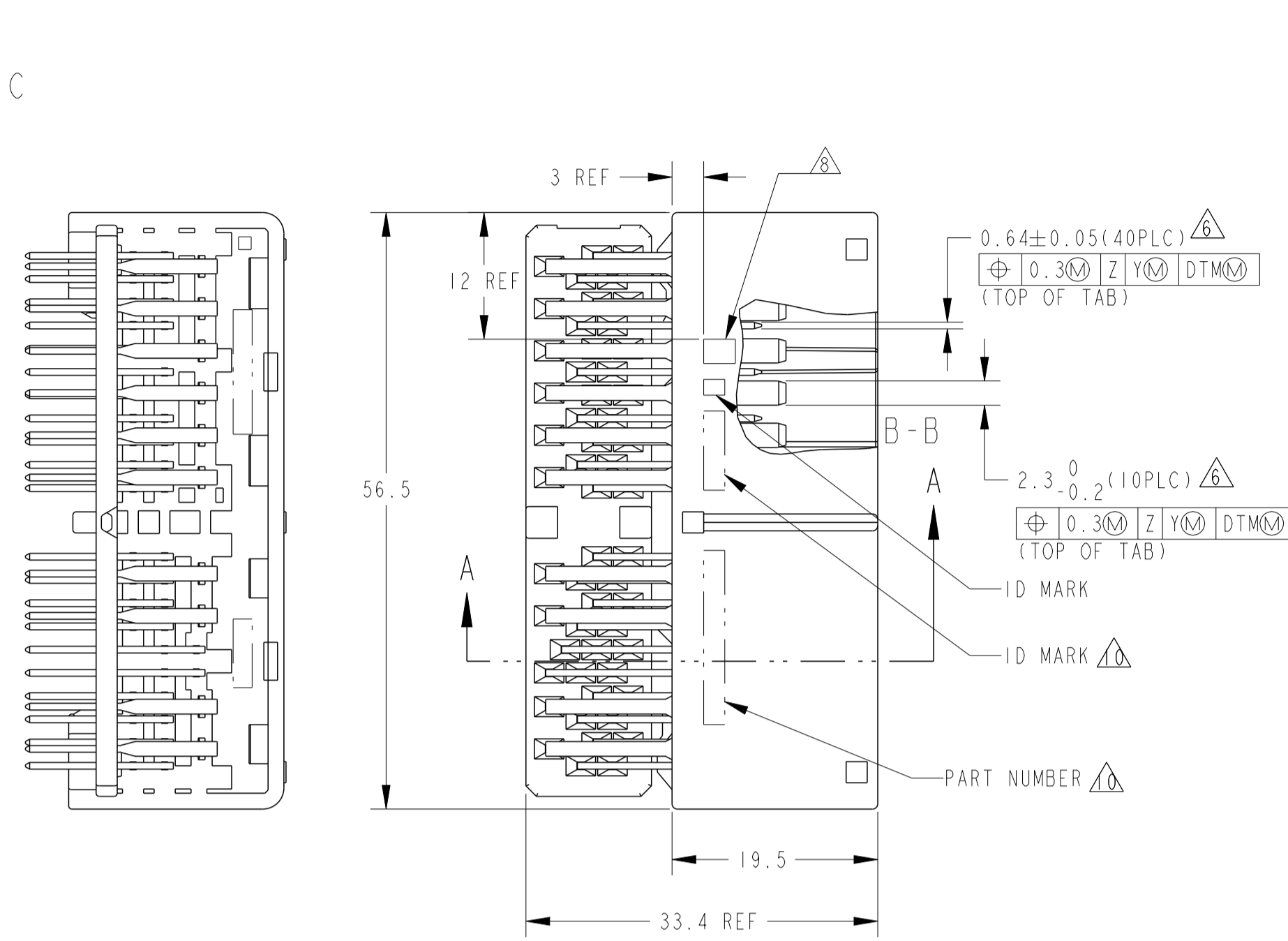
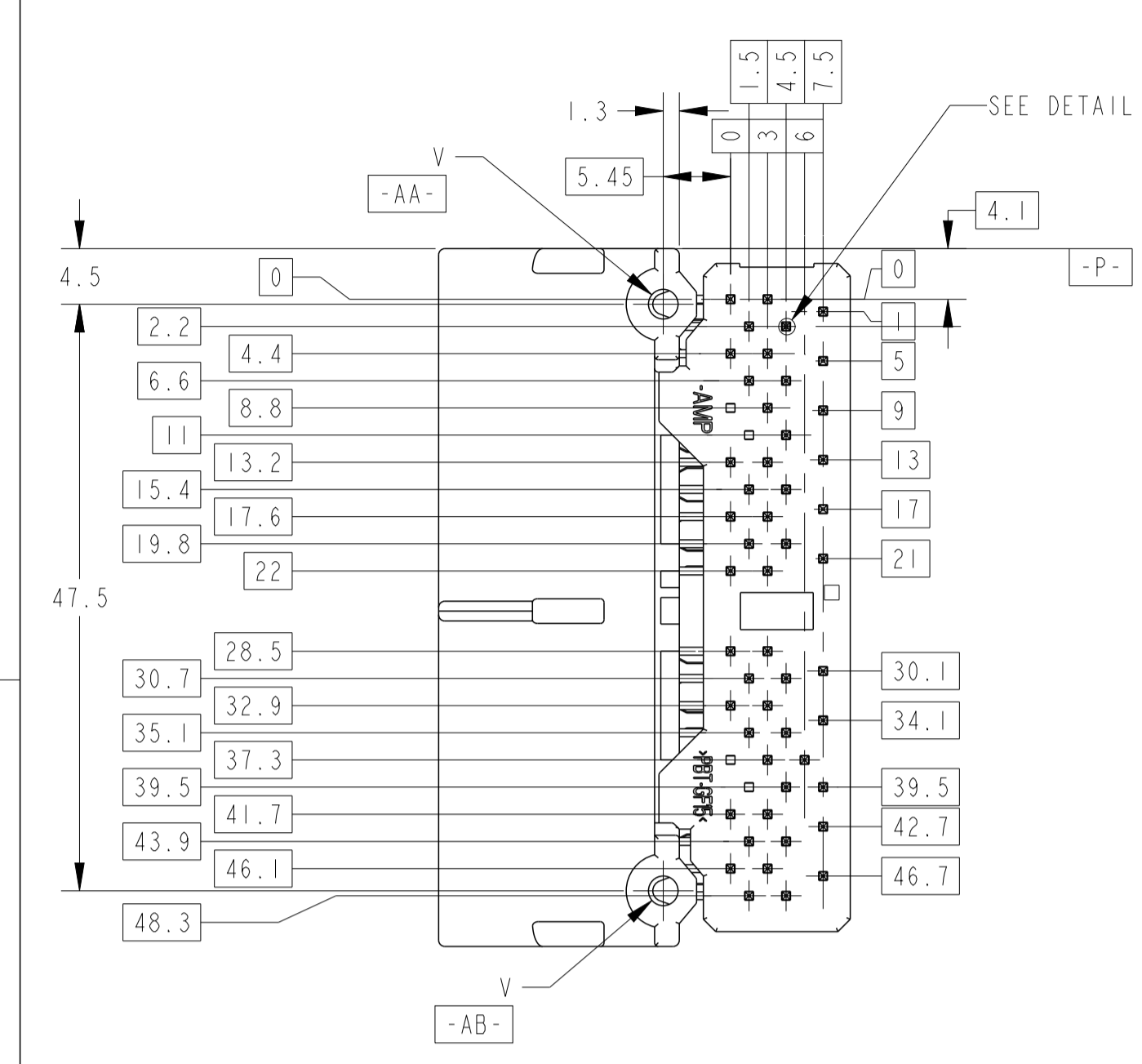
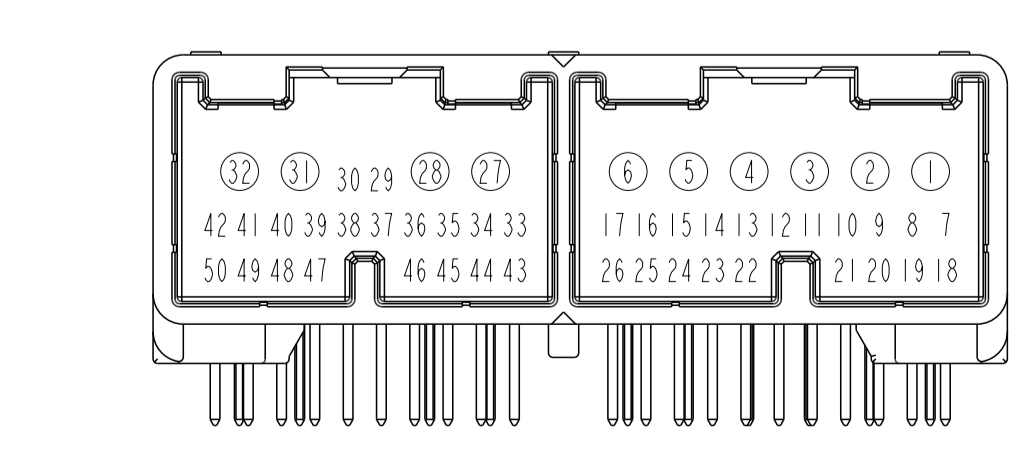


REVISONS		DATE	OWN	APVD
A1	REVISED	ECR-07-027748	21NOV07	AY HY
A2	REVISED	ECR-13-008689	28MAY2013	TS HY
A3	REVISED	ECR-13-009114	04JUN2013	TS KB
A4	REVISED	ECR-23-185327	28AUG2023	AY RK



1. 適合相手ワシング型番
 24P: 1318756 26P: 1318757
 24P: 1746864 26P: 1746863
2. 回路番号: FIG. 1参照
3. 推奨取り付け: JIS B1115, B1122タッピングねじに各々2枚、呼び径3.長さ: TABLE-1参照
4. ねじ締めトルク: 0.392N・m MAX (参考)
5. 本製品の取扱は、取扱説明書 No. 411-5927に従うこと。
6. 3次DTMについては、[-S-], [-T-]を各々のブロック面に適用すること。
7. [-Z-]より7.5mmの位置で測定。
8. コンタクト上端利用マーク
9. [-Z-]より2mmの位置で測定。
10. ID MARK, PART NUMBERを表示



1. PART NO. OF PLUG HOUSINGS TO BE MATED
 24P: 1318756 26P: 1318757
 24P: 1746864 26P: 1746863

3. RECOMMENDED SCREW: PAN-HEADED, TYPE 2 TAPPING SCREW, NOMINAL DIAMETER 3mm, LENGTH: SEE TABLE-1 (JIS B1115, B1122)

4. FASTENING TORQUE FOR SCREW: 0.392N・m MAX (FOR REFERENCE)

5. AS FOR THE HANDLING OF THIS PRODUCT, FOLLOW THE INSTRUCTION SHEET No. 411-5927.

6. TERTIARY DATUM: [-S-], [-T-] OF EACH BLOCK.

7. MEASURED AT 7.5mm FROM [-Z-].

8. MARKING FOR DESCERMENT OF THE CONTACT FINISH

9. MEASURE AT 2mm FROM [-Z-].

10. ID MARK, PART NUMBER INDICATED.

TABLE-1	プリント基板厚 (mm)	1.2	1.6
THICKNESS OF PCB (mm)			
固定用ねじ着下長さ (mm)		5	6
NOMINAL LENGTH OF SCREW (mm)			

PLASTIC BOX 透明	PLASTIC TUBE プラスチックチューブ	62	16.72	∅2.4	PBT	SELECTIVE-TIN (MATTE)	-	1~6, 27, 28, 31, 32	-	7~26 29, 30, 33~50	-	NATURAL (自然色)	NATURAL (自然色)	6318750-3	
PLASTIC BOX 透明	PLASTIC TUBE プラスチックチューブ	9	15.68	∅2.63	SPS	SELECTIVE-TIN (MATTE)	-	1~6, 27, 28, 31, 32	-	9~14, 20~23, 25 29, 30, 37 39~41, 44, 47	7, 8, 15~19, 24, 26 33~36, 38, 42 43, 45, 46, 48~50	BLACK (黒色)	BLACK (黒色)	1-1318750-8	
CARTON BOX タボル箱	PLASTIC TUBE プラスチックチューブ	8	16.72	∅2.4	PBT	SELECTIVE-TIN (MATTE)	-	1~6, 27, 28, 31, 32	-	7~26 29, 30, 33~50	-	NATURAL (自然色)	NATURAL (自然色)	1-1318750-6	
PLASTIC BOX 透明	PLASTIC TUBE プラスチックチューブ	8	16.72	∅2.4	PBT	SELECTIVE-TIN (MATTE)	-	1~6, 27, 28, 31, 32	-	7~26 29, 30, 33~50	-	NATURAL (自然色)	NATURAL (自然色)	1-1318750-5	
PLASTIC BOX 透明	PLASTIC TUBE プラスチックチューブ	5	16.72	∅2.4	PBT	SELECTIVE-TIN (MATTE)	-	1~6, 27, 28, 31, 32	-	9~14, 20~23, 25 29, 30, 37 39~41, 44, 47	7, 8, 15~19, 24, 26 33~36, 38, 42 43, 45, 46, 48~50	NATURAL (自然色)	NATURAL (自然色)	1-1318750-4	
CARTON BOX タボル箱	PLASTIC TUBE プラスチックチューブ	5	16.72	∅2.4	PBT	SELECTIVE-TIN (MATTE)	-	1~6, 27, 28, 31, 32	-	9~14, 20~23, 25 29, 30, 37 39~41, 44, 47	7, 8, 15~19, 24, 26 33~36, 38, 42 43, 45, 46, 48~50	NATURAL (自然色)	NATURAL (自然色)	1-1318750-3	
CARTON BOX タボル箱	PLASTIC TUBE プラスチックチューブ	4	15.68	∅2.63	SPS	SELECTIVE-TIN (MATTE)	-	1~6, 27, 28, 31, 32	-	7~26 29, 30, 33~50	-	BLACK (黒色)	NATURAL (自然色)	1-1318750-2	
PLASTIC BOX 透明	PLASTIC TUBE プラスチックチューブ	4	15.68	∅2.63	SPS	SELECTIVE-TIN (MATTE)	-	1~6, 27, 28, 31, 32	-	7~26 29, 30, 33~50	-	BLACK (黒色)	NATURAL (自然色)	1-1318750-1	
CARTON BOX タボル箱	PLASTIC TUBE プラスチックチューブ	6	16.72	∅2.4	PBT	SELECTIVE-TIN (MATTE)	1~6, 27, 28, 31, 32	-	-	7~26, 29, 30 33~50	-	NATURAL (自然色)	NATURAL (自然色)	1-1318750-0	
PLASTIC BOX 透明	PLASTIC TUBE プラスチックチューブ	7	16.72	∅2.4	PBT	SELECTIVE-TIN (MATTE)	-	1~6, 27, 28, 31, 32	-	29, 48	7~26, 30 33~47, 49, 50	-	NATURAL (自然色)	NATURAL (自然色)	1318750-9
OBSOLETE	PLASTIC BOX 透明	PLASTIC TUBE プラスチックチューブ	3	16.72	∅2.4	PBT	SELECTIVE-TIN	-	1~6, 27, 28, 31, 32	9~14, 20~23, 25 29, 30, 37 39~41, 44, 47	7, 8, 15~19, 24, 26 33~36, 38, 42 43, 45, 46, 48~50	NATURAL (自然色)	NATURAL (自然色)	1318750-7	
OBSOLETE	CARTON BOX タボル箱	PLASTIC TUBE プラスチックチューブ	3	16.72	∅2.4	PBT	SELECTIVE-TIN	-	1~6, 27, 28, 31, 32	9~14, 20~23, 25 29, 30, 37 39~41, 44, 47	7, 8, 15~19, 24, 26 33~36, 38, 42 43, 45, 46, 48~50	NATURAL (自然色)	NATURAL (自然色)	1318750-6	
PLASTIC BOX 透明	PLASTIC TUBE プラスチックチューブ	2	16.72	∅2.4	PBT	PRE-TIN TIN LEAD	-	1~6, 27, 28, 31, 32	7~26, 29, 30, 33~50	-	-	NATURAL (自然色)	NATURAL (自然色)	1318750-3	
CARTON BOX タボル箱	PLASTIC TUBE プラスチックチューブ	1	16.72	∅2.4	PBT	PRE-TIN	-	1~6, 27, 28, 31, 32	-	7~26, 29, 30, 33~50	-	NATURAL (自然色)	NATURAL (自然色)	1318750-2	
PLASTIC BOX 透明	PLASTIC TUBE プラスチックチューブ	1	16.72	∅2.4	PBT	PRE-TIN	-	1~6, 27, 28, 31, 32	-	7~26, 29, 30, 33~50	-	NATURAL (自然色)	NATURAL (自然色)	1318750-1	
OUTER 外装	INNER 内装														
PACKING STYLE 梱包形態	MARKING (マ-キ-ン-グ)	WEIGHT (g)	V	HOUSING MATERIAL (ワシ-ン-グ: 09011)	SOLDERING SIDE 半田付け側	SELECTIVE GOLD	SELECTIVE-TIN (BRIGHT)	PRE-TIN	SELECTIVE GOLD	SELECTIVE-TIN (BRIGHT)	PRE-TIN	TINE PLATE COLOR (ワシ-ン-グ: 色)	HOUSING COLOR (ワシ-ン-グ: 色)	PART NUMBER (型番)	
						09011 TAB POWER	025 TAB SIGNAL								
						CONTACT SIDE 接触面側			CONTACT FINISH (仕上げ)						

THIS DRAWING IS A CONTROLLED DOCUMENT. OWN: T. HAYASHI 27APR2000, CHK: N. SAI 27APR2000, APVD: N. SAI 27APR2000

DIMENSIONS: 単位: mm. TOLERANCES UNLESS OTHERWISE SPECIFIED: 0-PLC ±0.3, 1-PLC ±0.1, 2-PLC ±0.1, 3-PLC ±0.1, 4-PLC ±0.001. ANGLES: ±0°00'.

MATERIAL: CONTACT: BRASS, HOUSING: SEE TABLE, TINE PLATE: PBT. FINISH: SEE TABLE.

SIZE: A1. CAGE CODE: 00779. DRAWING NO: 1318750. SHEET: 1 OF 2. REV: A4.

TE Connectivity. 025/090 SERIES 50 POSITION CAP ASSEMBLY.

4

3

2

1

THIS DRAWING IS UNPUBLISHED.

RELEASED FOR PUBLICATION

2000

© COPYRIGHT 2000

ALL RIGHTS RESERVED.

LOC

DIST

REVISIONS

変更

P

LTR

DESCRIPTION

ECN

DATE

DWN

APVD

SEE 1 OF 2

CAP ASSEMBLY AND PLUG ASSEMBLY ENGAGEMENT DRAWING
 キャップアッセンブリ & プラグアッセンブリ 嵌合図

THIS DRAWING IS A CONTROLLED DOCUMENT.

DWN T. HAYASHI 27APR2000

CHK N. SAI 27APR2000

APVD N. SAI 27APR2000

 PRODUCT SPEC
 製品規格
 SEE 1 OF 2

 APPLICATION SPEC
 取付適用規格
 SEE 1 OF 2

WEIGHT SEE 1 OF 2

CUSTOMER DRAWING

TE Connectivity

 NAME
 名称
 025/090 SERIES
 50POSITION CAP ASSEMBLY

SIZE

CAGE CODE

DRAWING NO
番号

RESTRICTED TO

A3

00779

C=1318750

—/—

SCALE
尺度 2:1

SHEET 2 OF 2

REV A4

DIMENSIONS:
単位: 概
mmTOLERANCES UNLESS
OTHERWISE SPECIFIED:
一般公差: ±0.3
 0-PLC ±
 1-PLC ±0.1
 2-PLC ±0.01
 3-PLC ±0.001
 4-PLC ±0.0001
 ANGLES ±3'00"
MATERIAL
材料 SEE 1 OF 2FINISH
仕上 SEE 1 OF 2

1470-19 (3/11)