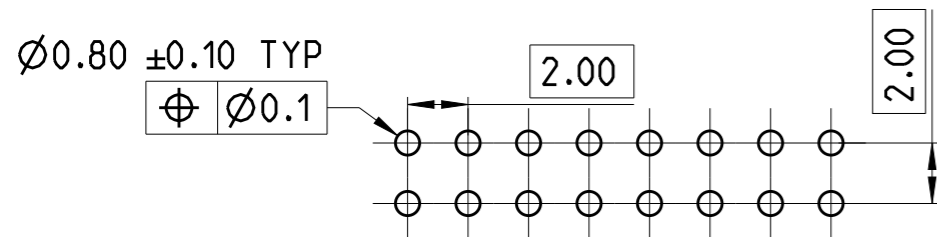
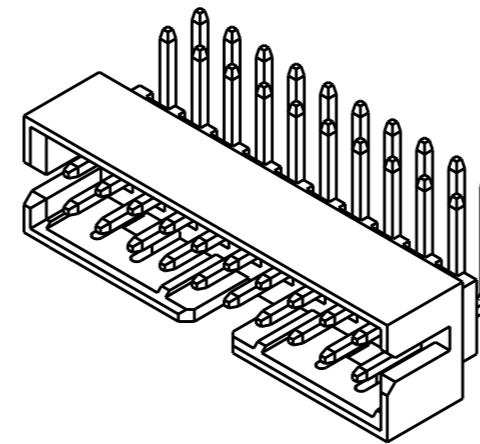
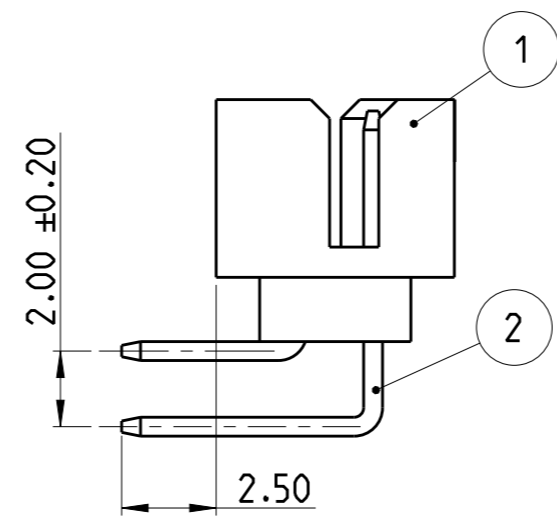
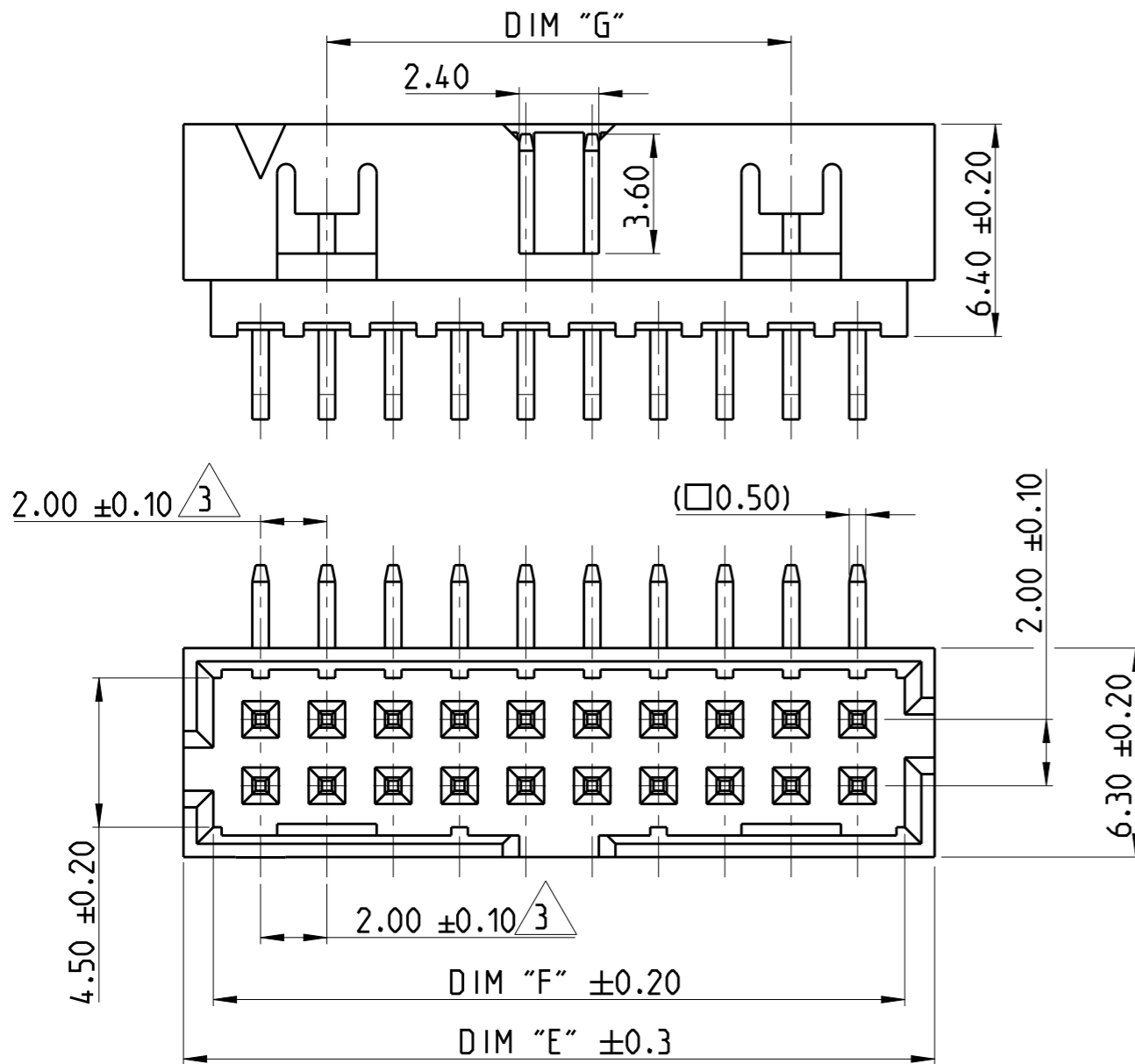


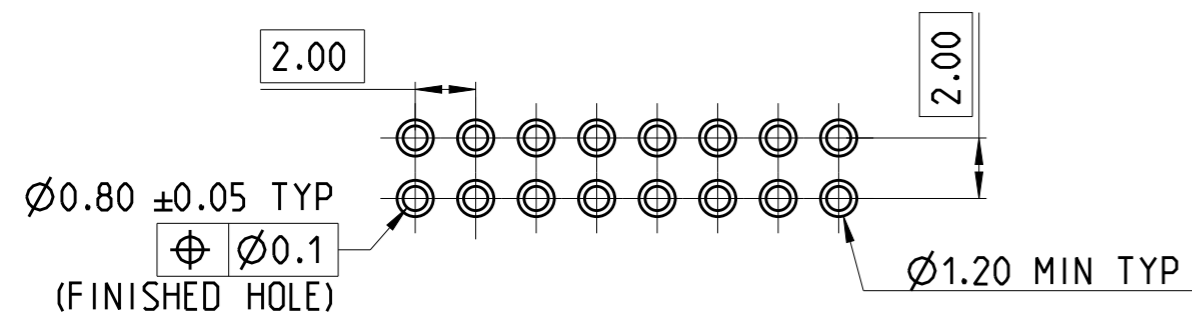
| P | LTR | DESCRIPTION | DATE | DWN | APVD |
|---|-----|-----------------------|-----------|-----|------|
| A | | RELEASE TO PRODUCTION | 29NOV2019 | AY | PS |

NOTES:

- MATERIAL
HOUSING : HIGH TEMPERATURE THERMOPLASTIC, UL94-V0; COLOR- BLACK
CONTACT PIN : COPPER ALLOY
FINISH :
MATING SIDE : MIN. 0.1 μm GOLD OVER NICKEL UNDER PLATING.
SOLDER SIDE : MIN. 2.0 μm TIN OVER NICKEL UNDER PLATING.
 - PACKAGING: TUBE.
- \triangle 3 TOLERANCE NOT CUMULATIVE.



RECOMMENDED PCB HOLE PATTERN FOR THROUGH HOLE WAVE



RECOMMENDED PCB HOLE PATTERN FOR THROUGH HOLE REFLOW/PIN-IN-PASTE

2-2842248-0 AS SHOWN

| DESCRIPTION | ITEM NO. |
|-------------|----------|
| CONTACT PIN | 2 |
| HOUSING | 1 |

| DIM "G" | DIM "F" | DIM "E" | POS. | TE PN |
|---------|---------|---------|------|-------------|
| 44 | 50.85 | 52.65 | 50 | 5-2842248-0 |
| 38 | 44.85 | 46.65 | 44 | 4-2842248-4 |
| 34 | 40.85 | 42.65 | 40 | 4-2842248-0 |
| 28 | 34.85 | 36.65 | 34 | 3-2842248-4 |
| 24 | 30.85 | 32.65 | 30 | 3-2842248-0 |
| 20 | 26.85 | 28.65 | 26 | 2-2842248-6 |
| 18 | 24.85 | 26.65 | 24 | 2-2842248-4 |
| 14 | 20.85 | 22.65 | 20 | 2-2842248-0 |
| 10 | 16.85 | 18.65 | 16 | 1-2842248-6 |
| 8 | 14.85 | 16.65 | 14 | 1-2842248-4 |

THIS DRAWING IS A CONTROLLED DOCUMENT.

| | | |
|------------------|-------------|-----------|
| DWN | SUBHASREE S | 16AUG2019 |
| CHK | KARTHIK JK | 19AUG2019 |
| APVD | PRASHANTH S | 19AUG2019 |
| PRODUCT SPEC | 108-64040 | |
| APPLICATION SPEC | 114-32259 | |
| WEIGHT | - | |

TE TE Connectivity

NAME: AMPMODU 2mm SHROUDED HEADER, DUAL ROW, RIGHT ANGLE, 0.1 Au, TUBE

| | | | |
|------|-----------|------------|---------------|
| SIZE | CAGE CODE | DRAWING NO | RESTRICTED TO |
| A3 | 00779 | C-2842248 | - |

CUSTOMER DRAWING SCALE 5:1 SHEET 1 OF 1 REV A