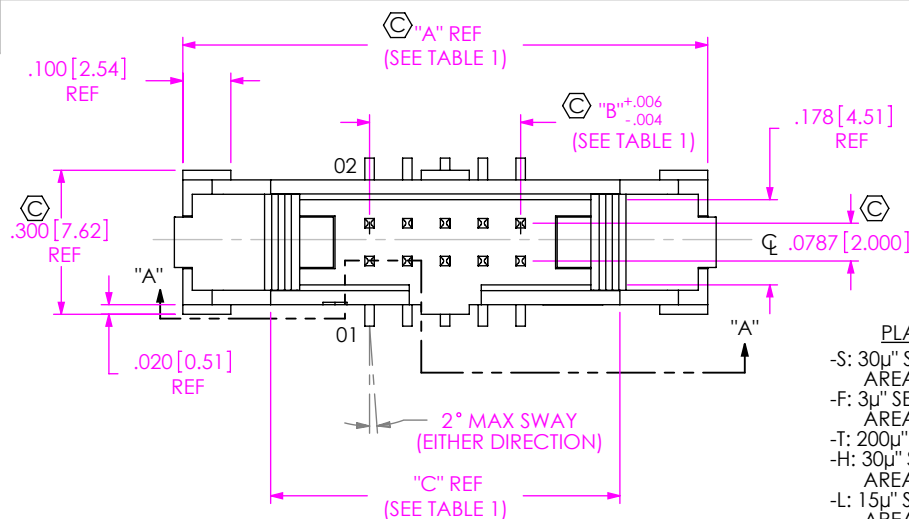


DO NOT SCALE FROM THIS PRINT



NO OF POSITIONS
-05 THRU -25

LEAD STYLE
-01

PLATING SPECIFICATION
 -S: 30μ" SELECTIVE GOLD IN CONTACT AREA, MATTE TIN ON TAIL.
 -F: 3μ" SELECTIVE GOLD IN CONTACT AREA, MATTE TIN ON TAIL.
 -T: 200μ" MATTE TIN ON ENTIRE CONTACT.
 -H: 30μ" SELECTIVE GOLD IN CONTACT AREA, 3μ" SELECTIVE GOLD ON TAIL.
 -L: 15μ" SELECTIVE GOLD IN CONTACT AREA, MATTE TIN ON TAIL.

ROW SPECIFICATION
 -D: DOUBLE

PACKAGING(SEE NOTES 10 & 11)
 BLANK: TUBES (SEE NOTE 9)
 -TR: TAPE & REEL
 -FR FULL REEL QTY TAPE & REEL

OPTION 2
 -P: PICK & PLACE PAD (FOR -SM ONLY, USE PPP-24) (USE PPP-55 WITH -SM-TR OPTION) (SEE SHT 3, FIG 5) (NOT AVAILABLE WITH -LC)
 -K: POLYIMIDE FILM PAD (SEE SHT 2, FIG 4) (NOT AVAILABLE WITH -LC) (FOR -SM ONLY)

POLARIZATION OPTION
 -XX= PIN OMITTED

OPTION 1
 -LC: LOCKING CLIP (SEE NOTE 8) (FOR -SM ONLY, SEE NOTE 8) (NOT AVAILABLE WITH -P OR -K)

-SR STRAIN RELIEF

TAIL OPTION
 -RA: RIGHT ANGLE
 -SM: SURFACE MOUNT (LEAVE BLANK FOR THRU HOLE)

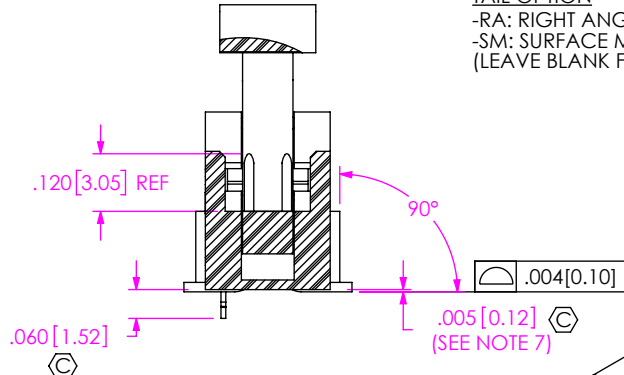
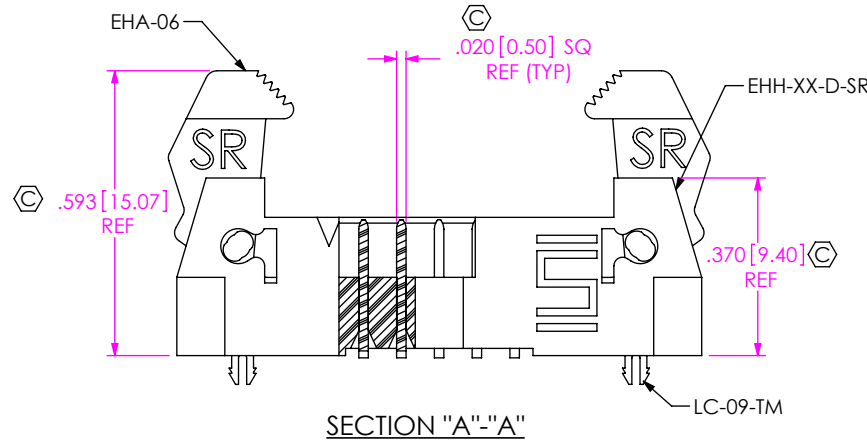
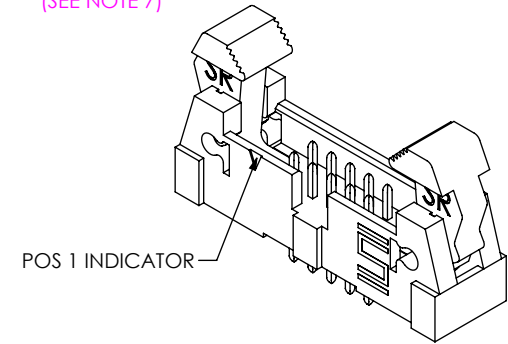


FIG 1
(EHT-105-01-XX-D-SM-SR-LC SHOWN)



NOTES:

1. Ⓢ REPRESENTS A CRITICAL DIMENSION.
2. COPLANARITY TO BE WITHIN .004[0.10].
3. BURR ALLOWANCE: .0015[0.038] MAX.
4. MINIMUM PUSHOUT FORCE: .5 LB. [2.22N]
5. MAXIMUM ALLOWABLE BOW: .002[0.05] INCH/INCH AFTER ASSEMBLY.
6. MAXIMUM PIN ROTATION IN BODY: 2°
7. MEASURE AT BEND
8. DUE TO THE HIGH AMOUNT OF INSERTION FORCE NEEDED, THE -LC OPTION IS NOT COMPATIBLE WITH AUTO PLACEMENT. SAMTEC RECOMMENDS MANUAL PLACEMENT FOR ALL ASSEMBLIES WITH THE -LC OPTION.
9. TUBES ARE STANDARD PACKAGING
10. ORDERS WILL BE PACKAGED ACCORDING TO THE SAMTEC PACKAGING EFFICIENCY STANDARDS (SPES) FOUND ON WWW.SAMTEC.COM
11. ATTACH -4X2 LABEL TO EACH REEL.

UNLESS OTHERWISE SPECIFIED, DIMENSIONS ARE IN INCHES.
 TOLERANCES ARE:
 DECIMALS ANGLES
 .XX: ±.01 [0.3] 2°
 .XXX: ±.005 [0.13]
 .XXXX: ±.0020 [0.051]

PROPRIETARY NOTE
 THIS DOCUMENT CONTAINS CONFIDENTIAL AND PROPRIETARY INFORMATION AND ALL DESIGN, MANUFACTURING, REPRODUCTION, USE, PATENT RIGHTS AND SALES RIGHTS ARE EXPRESSLY RESERVED BY SAMTEC, INC. THIS DOCUMENT SHALL NOT BE DISCLOSED, IN WHOLE OR PART, TO ANY UNAUTHORIZED PERSON OR ENTITY NOR REPRODUCED, TRANSFERRED OR INCORPORATED IN ANY OTHER PROJECT IN ANY MANNER WITHOUT THE EXPRESS WRITTEN CONSENT OF SAMTEC, INC.

MATERIAL: DO NOT SCALE DRAWING SHEET SCALE: 5:2
 INSULATOR: VECTRA E130, COLOR: NATURAL
 TERMINAL: PHOS BRONZE
 MAX FLASH ALLOWED: .002[0.05]
 MAX GATE VESTIGE: .002[0.05]

samtec	
520 PARK EAST BLVD, NEW ALBANY, IN 47150 PHONE: 812-944-6733 FAX: 812-948-5047 e-Mail: info@SAMTEC.com code: 55322	
DESCRIPTION: EHT EJECTOR HEADER ASSEMBLY	
DWG. NO. EHT-1XX-01-X-D-XX-SR-XX-XX-X-XX	
BY: CHADP	08/04/2008
SHEET 1 OF 3	

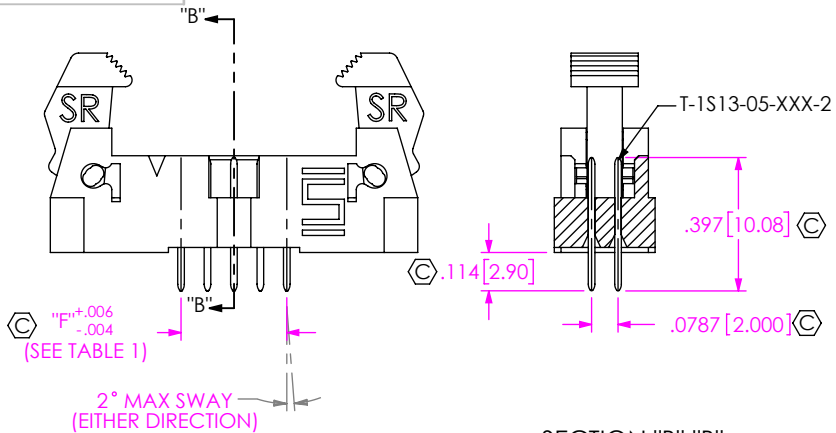


FIG 2
(EHT-105-01-XX-D-SR SHOWN)
(SAME AS FIG 1 DIFFERENT AS SHOWN)

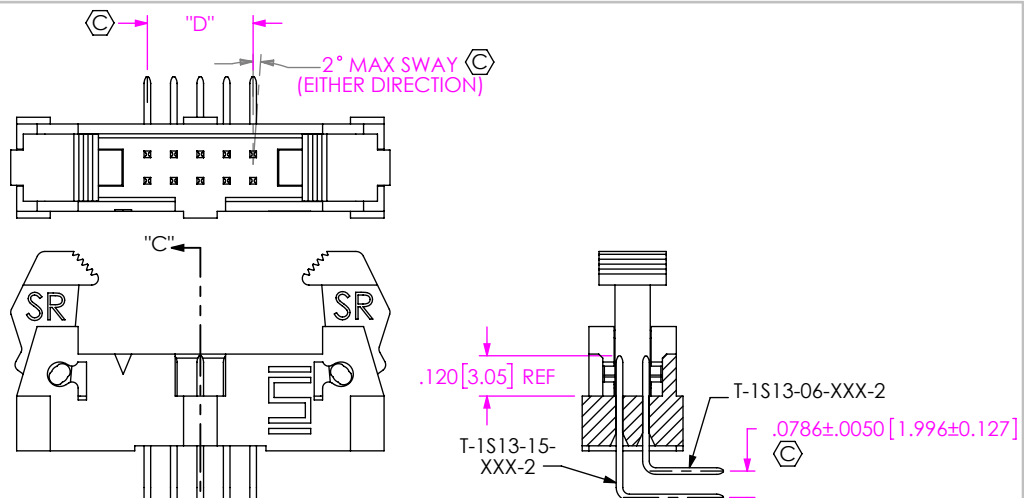
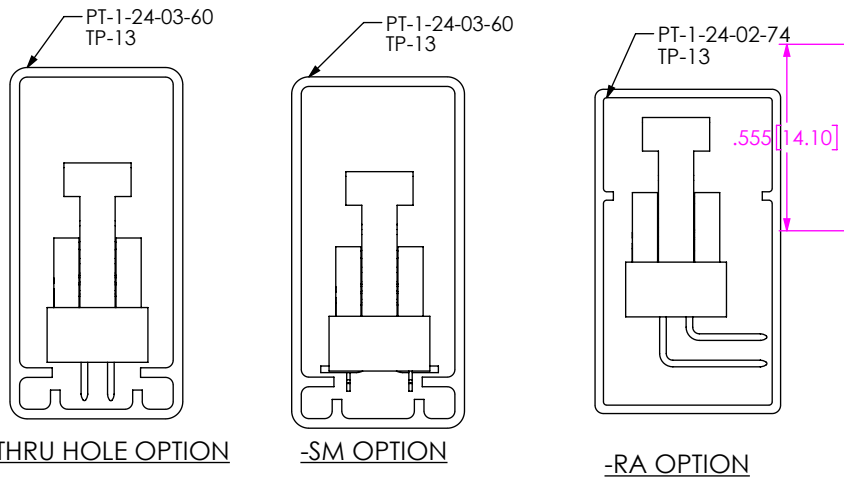


FIG 3
(EHT-105-01-XX-D-RA-SR SHOWN)
(SAME AS FIG 1 DIFFERENT AS SHOWN)



PACKAGING VIEWS
(LOAD PARTS WITH POSITION #1 INDICATOR
IN SAME DIRECTION AS ARROW ON TUBE)

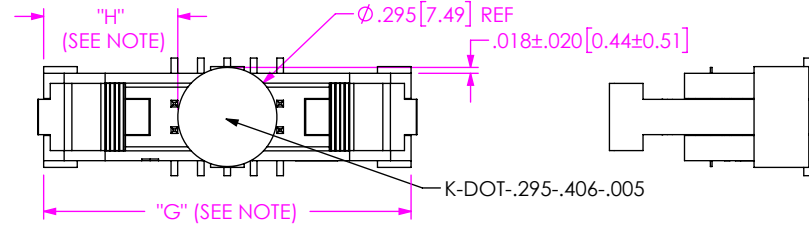
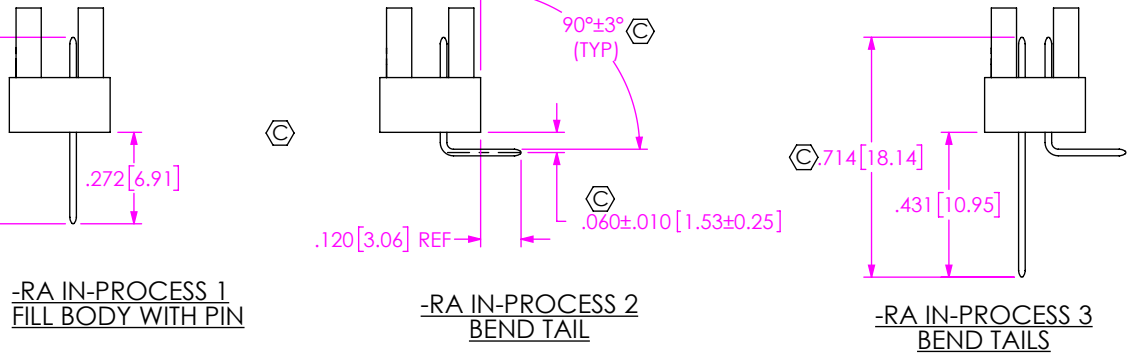
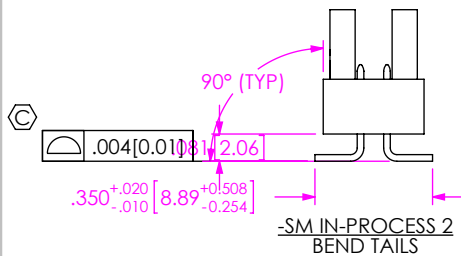
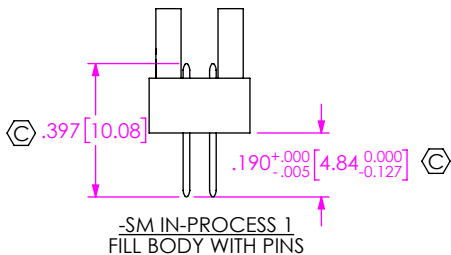


FIG 4
-K: OPTION (POLYIMIDE FILM PAD)
(SAME AS FIG 1 DIFFERENT AS SHOWN)

NOTE: "G" = USE MEASURED DIMENSION (REF)
"H" = {"G" -.2950[7.50]/2} ± .020[0.51]



PROPRIETARY NOTE
THIS DOCUMENT CONTAINS CONFIDENTIAL AND PROPRIETARY INFORMATION AND ALL DESIGN, MANUFACTURING, REPRODUCTION, USE, PATENT RIGHTS AND SALES RIGHTS ARE EXPRESSLY RESERVED BY SAMTEC, INC. THIS DOCUMENT SHALL NOT BE DISCLOSED, IN WHOLE OR PART, TO ANY UNAUTHORIZED PERSON OR ENTITY NOR REPRODUCED, TRANSFERRED OR INCORPORATED IN ANY OTHER PROJECT IN ANY MANNER WITHOUT THE EXPRESS WRITTEN CONSENT OF SAMTEC, INC.

DO NOT SCALE DRAWING
SHEET SCALE: 1:75:1



520 PARK EAST BLVD, NEW ALBANY, IN 47150
PHONE: 812-944-6733 FAX: 812-948-5047
e-Mail: info@SAMTEC.com code: 55322

DESCRIPTION: EHT EJECTOR HEADER ASSEMBLY
DWG. NO. EHT-1XX-01-X-D-XX-SR-XX-XX-X-XX
BY: CHADP 08/04/2008 SHEET 2 OF 3

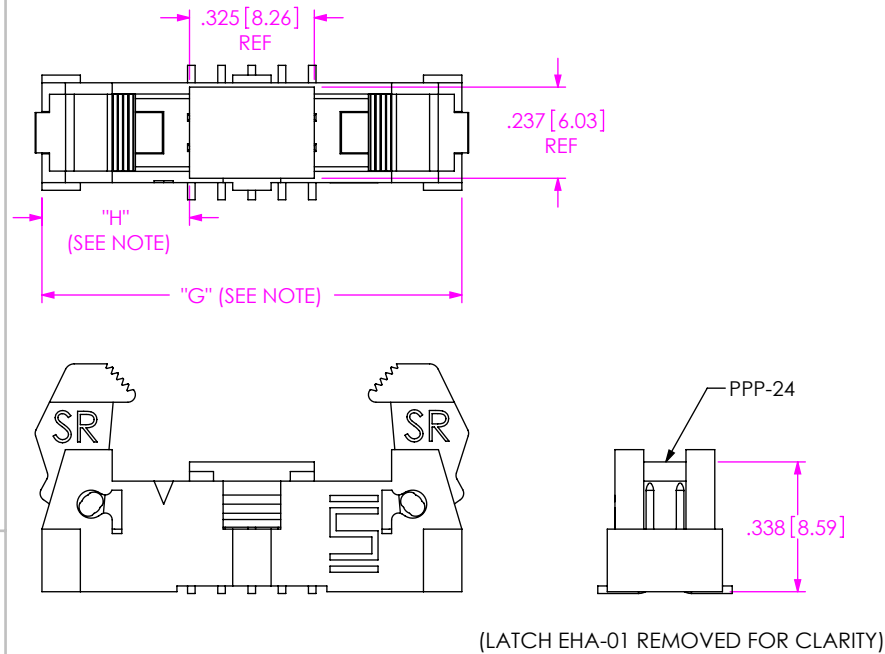
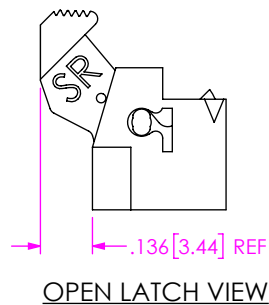
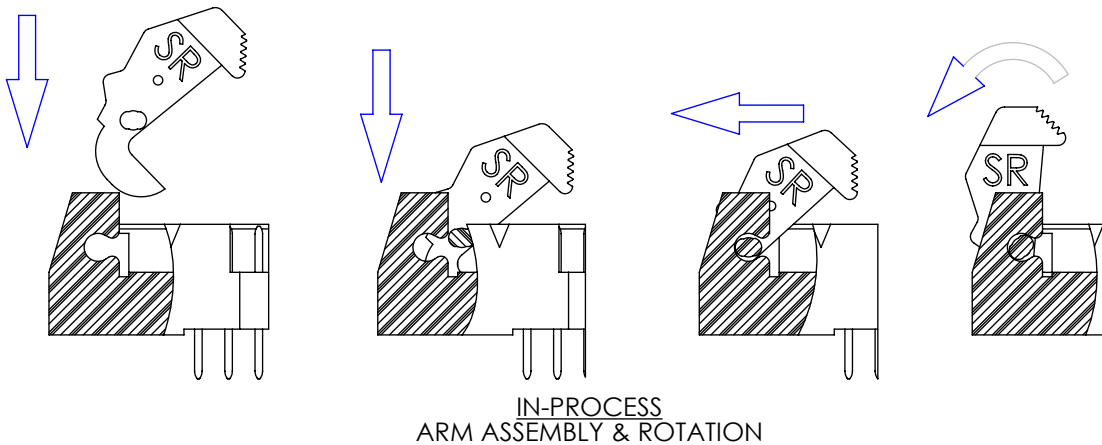


FIG 5
-PPP: PICK AND PLACE PAD
(SAME AS FIG 1 DIFFERENT AS SHOWN)

NOTE: "G" = USE MEASURED DIMENSION (REF)
"H" = {"G" -.325[8.26]/2} ±.020[0.51]

TABLE 1

No. OF POS.	"A"	"B"	"C"	"D"	"E"	"F"
-05	1.094 [27.79]	0.315 [8.00]	.728 [18.49]	0.315 [8.00]	0.820 [20.83]	0.315 [8.00]
-06	1.173 [29.79]	0.394 [10.00]	.807 [20.49]	0.394 [10.00]	0.899 [22.83]	0.394 [10.00]
-07	1.251 [31.79]	0.472 [12.00]	.885 [22.49]	0.472 [12.00]	0.977 [24.83]	0.472 [12.00]
-08	1.330 [33.79]	0.551 [14.00]	.964 [24.49]	0.551 [14.00]	1.056 [26.83]	0.551 [14.00]
-09	1.409 [35.79]	0.630 [16.00]	1.043 [26.49]	0.630 [16.00]	1.135 [28.83]	0.630 [16.00]
-10	1.488 [37.79]	0.709 [18.00]	1.122 [28.49]	0.709 [18.00]	1.214 [30.83]	0.709 [18.00]
-11	1.566 [39.79]	0.787 [20.00]	1.200 [30.49]	0.787 [20.00]	1.292 [32.83]	0.787 [20.00]
-12	1.645 [41.79]	0.866 [22.00]	1.279 [32.49]	0.866 [22.00]	1.371 [34.83]	0.866 [22.00]
-13	1.724 [43.78]	0.945 [24.00]	1.358 [34.49]	0.945 [24.00]	1.450 [36.83]	0.945 [24.00]
-14	1.803 [45.78]	1.023 [26.00]	1.437 [36.49]	1.023 [26.00]	1.529 [38.83]	1.023 [26.00]
-15	1.881 [47.78]	1.102 [28.00]	1.515 [38.49]	1.102 [28.00]	1.607 [40.83]	1.102 [28.00]
-16	1.960 [49.78]	1.181 [30.00]	1.594 [40.49]	1.181 [30.00]	1.686 [42.83]	1.181 [30.00]
-17	2.039 [51.78]	1.260 [32.00]	1.673 [42.49]	1.260 [32.00]	1.765 [44.83]	1.260 [32.00]
-18	2.117 [53.78]	1.338 [34.00]	1.752 [44.49]	1.338 [34.00]	1.844 [46.83]	1.338 [34.00]
-19	2.196 [55.78]	1.417 [36.00]	1.830 [46.49]	1.417 [36.00]	1.922 [48.83]	1.417 [36.00]
-20	2.275 [57.78]	1.496 [38.00]	1.909 [48.49]	1.496 [38.00]	2.001 [50.83]	1.496 [38.00]
-21	2.353 [59.78]	1.575 [40.00]	1.988 [50.49]	1.575 [40.00]	2.080 [52.83]	1.575 [40.00]
-22	2.432 [61.78]	1.653 [42.00]	2.067 [52.49]	1.653 [42.00]	2.159 [54.83]	1.653 [42.00]
-23	2.511 [63.77]	1.732 [44.00]	2.145 [54.49]	1.732 [44.00]	2.237 [56.83]	1.732 [44.00]
-24	2.590 [65.77]	1.811 [46.00]	2.224 [56.49]	1.811 [46.00]	2.316 [58.83]	1.811 [46.00]
-25	2.668 [67.77]	1.890 [48.00]	2.303 [58.49]	1.890 [48.00]	2.395 [60.83]	1.890 [48.00]

* PROPRIETARY NOTE *

THIS DOCUMENT CONTAINS CONFIDENTIAL AND PROPRIETARY INFORMATION AND ALL DESIGN, MANUFACTURING, REPRODUCTION, USE, PATENT RIGHTS AND SALES RIGHTS ARE EXPRESSLY RESERVED BY SAMTEC, INC. THIS DOCUMENT SHALL NOT BE DISCLOSED, IN WHOLE OR PART, TO ANY UNAUTHORIZED PERSON OR ENTITY NOR REPRODUCED, TRANSFERRED OR INCORPORATED IN ANY OTHER PROJECT IN ANY MANNER WITHOUT THE EXPRESS WRITTEN CONSENT OF SAMTEC, INC.

DO NOT SCALE DRAWING
SHEET SCALE: 2:1



520 PARK EAST BLVD, NEW ALBANY, IN 47150
PHONE: 812-944-6733 FAX: 812-948-5047
e-Mail: info@SAMTEC.com code: 55322

DESCRIPTION: EHT EJECTOR HEADER ASSEMBLY
DWG. NO. EHT-1XX-01-X-D-XX-SR-XX-XX-X-XX
BY: CHADP 08/04/2008 SHEET 3 OF 3