

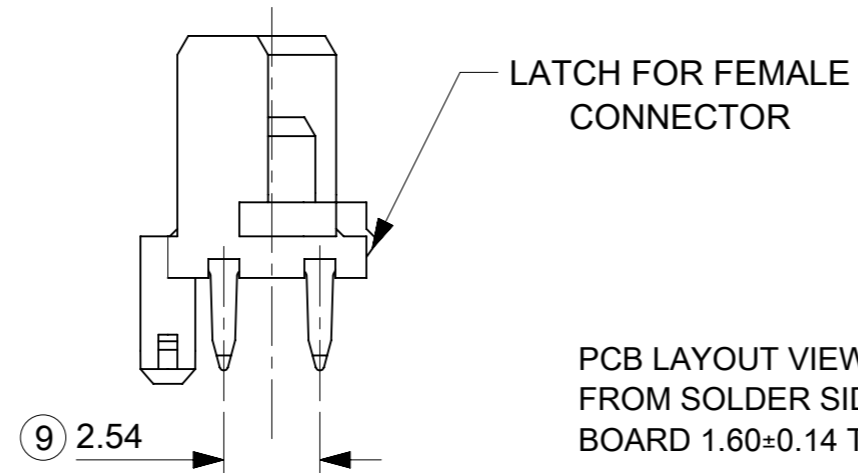
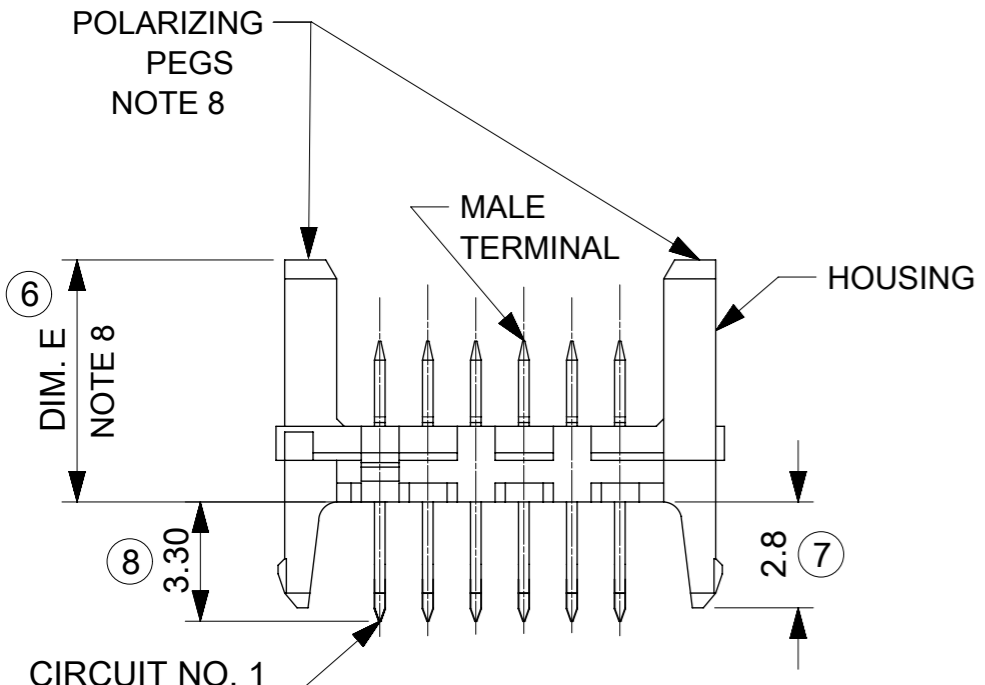
MOULD BASE COLOUR: NATURAL

90779 -\*\*13

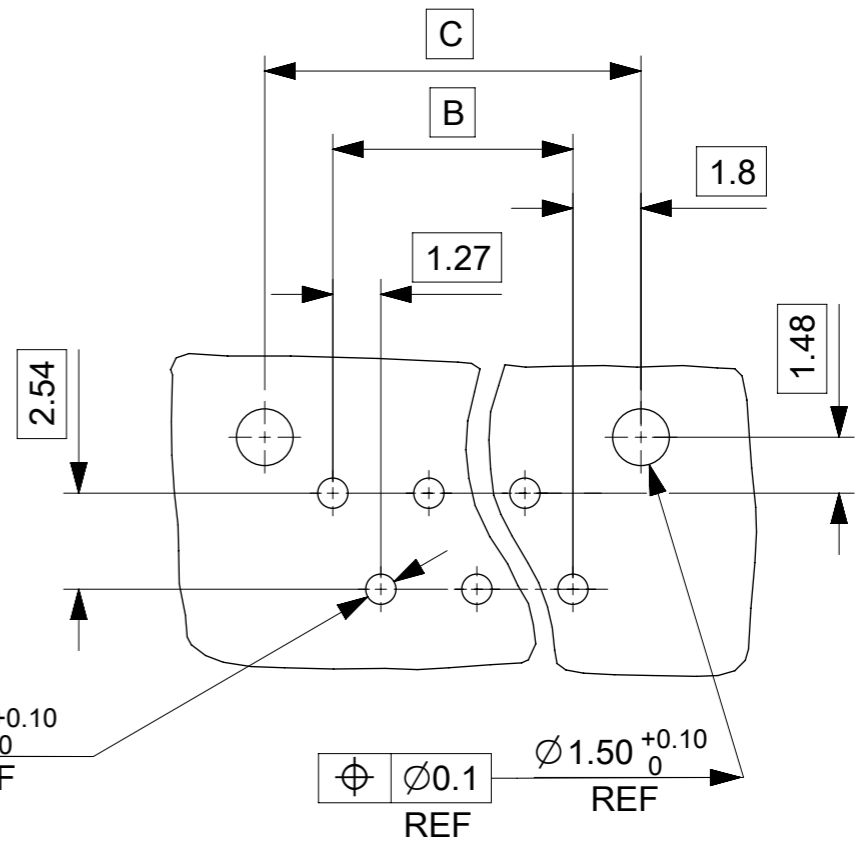
CIRCUIT SIZE 04 CCT TO 26 CCT  
-SEE ABOVE TABLE FOR PART CODE  
0 - STANDARD  
9 - SHORT VERSION

0 = 4-6µm TIN ASSY  
3 = 0.76µm GOLD ASSY  
7 = 0.76µm GOLD ASSY, TUBED  
9 = 4-6µm TIN ASSY TUBED

90779-**13	26	36.80	31.75	35.35	37.26
90779-**12	24	34.26	29.21	32.81	34.72
90779-**11	22	31.72	26.67	30.27	32.18
90779-**10	20	29.18	24.13	27.73	29.64
90779-**08	18	26.64	21.59	25.19	27.10
90779-**07	16	24.10	19.05	22.65	24.56
90779-**06	14	21.56	16.51	20.11	22.02
90779-**05	12	19.02	13.97	17.57	19.48
90779-**04	10	16.48	11.43	15.03	16.94
90779-**03	8	13.94	8.89	12.49	14.40
90779-**02	6	11.40	6.35	9.95	11.86
90779-**01	4	8.86	3.81	7.41	9.32
PART NO.	NO. OF CCTS	DIM. A	DIM. B	DIM. C	DIM. D



PCB LAYOUT VIEWED FROM SOLDER SIDE.  
BOARD 1.60±0.14 THK



- NOTES:**
- HOUSING. NYLON 46, GLASS FILLED UL 94 V-0, NATURAL (WHITE).
  - TERMINAL: BRASS  
PLATING TIN: 1.27 MICROMETRE MIN. NICKEL UNDER 4-6 MICROMETRE TIN  
PLATING GOLD : UNDERPLATED 1.27µm MIN NICKEL 3-5µm TIN SELECTIVE  
0.76µm MIN. SELECTIVE GOLD
  - APPLICATION CLASS TO DIN 40040 HME (-25°C/+100°C)
  - PIN PUSH FORCE 7N
  - TEST VOLTAGE: 750V.A.C./1 MIN
  - COMPATIBLE WITH MOLEX PART 90327
  - PRODUCT SPECIFICATION: PS-99020-0011
  - POLARISING PEG AVAILABLE IN 2 OPTIONS  
DIM E: STANDARD 6.40mm  
DIM E: SHORT VERSION 4.10mm
  - PACKAGING SPECIFICATION: PK-90325-002

LAST INSPECTION NUMBER USED: 9

FUNCTIONAL SYMBOLS	THIS DRAWING CONTAINS INFORMATION THAT IS PROPRIETARY TO MOLEX ELECTRONIC TECHNOLOGIES, LLC AND SHOULD NOT BE USED WITHOUT WRITTEN PERMISSION	CURRENT REV DESC: CAD MIGRATION		<b>molex</b>	
	GENERAL TOLERANCES (UNLESS SPECIFIED)	EC NO: 738955			
FUNCTIONAL SYMBOLS	THIS DRAWING CONTAINS INFORMATION THAT IS PROPRIETARY TO MOLEX ELECTRONIC TECHNOLOGIES, LLC AND SHOULD NOT BE USED WITHOUT WRITTEN PERMISSION	SCALE	5:1	PRODUCT CUSTOMER DRAWING	
DIVISIONAL SYMBOLS	THIS DRAWING CONTAINS INFORMATION THAT IS PROPRIETARY TO MOLEX ELECTRONIC TECHNOLOGIES, LLC AND SHOULD NOT BE USED WITHOUT WRITTEN PERMISSION	GENERAL TOLERANCES (UNLESS SPECIFIED)	4 PLACES ±	EC NO: 738955	2023/02/02
DIVISIONAL SYMBOLS	THIS DRAWING CONTAINS INFORMATION THAT IS PROPRIETARY TO MOLEX ELECTRONIC TECHNOLOGIES, LLC AND SHOULD NOT BE USED WITHOUT WRITTEN PERMISSION	ANGULAR TOL ±	°	DRWN: GOWTHP	2023/02/16
DIVISIONAL SYMBOLS	THIS DRAWING CONTAINS INFORMATION THAT IS PROPRIETARY TO MOLEX ELECTRONIC TECHNOLOGIES, LLC AND SHOULD NOT BE USED WITHOUT WRITTEN PERMISSION	3 PLACES ±	0.2	CHK'D: GOWTHP	2023/02/20
DIVISIONAL SYMBOLS	THIS DRAWING CONTAINS INFORMATION THAT IS PROPRIETARY TO MOLEX ELECTRONIC TECHNOLOGIES, LLC AND SHOULD NOT BE USED WITHOUT WRITTEN PERMISSION	2 PLACES ±	0.2	APPR: ISHWARG	2023/02/20
DIVISIONAL SYMBOLS	THIS DRAWING CONTAINS INFORMATION THAT IS PROPRIETARY TO MOLEX ELECTRONIC TECHNOLOGIES, LLC AND SHOULD NOT BE USED WITHOUT WRITTEN PERMISSION	1 PLACE ±		INITIAL REVISION:	
DIVISIONAL SYMBOLS	THIS DRAWING CONTAINS INFORMATION THAT IS PROPRIETARY TO MOLEX ELECTRONIC TECHNOLOGIES, LLC AND SHOULD NOT BE USED WITHOUT WRITTEN PERMISSION	0 PLACES ±		DRWN: BGB	1992/08/21
DIVISIONAL SYMBOLS	THIS DRAWING CONTAINS INFORMATION THAT IS PROPRIETARY TO MOLEX ELECTRONIC TECHNOLOGIES, LLC AND SHOULD NOT BE USED WITHOUT WRITTEN PERMISSION			APPR: JDENNEHY	2004/12/03
DIVISIONAL SYMBOLS	THIS DRAWING CONTAINS INFORMATION THAT IS PROPRIETARY TO MOLEX ELECTRONIC TECHNOLOGIES, LLC AND SHOULD NOT BE USED WITHOUT WRITTEN PERMISSION	DRAFT WHERE APPLICABLE MUST REMAIN WITHIN DIMENSIONS	THIRD ANGLE PROJECTION	DRAWING	SERIES
DIVISIONAL SYMBOLS	THIS DRAWING CONTAINS INFORMATION THAT IS PROPRIETARY TO MOLEX ELECTRONIC TECHNOLOGIES, LLC AND SHOULD NOT BE USED WITHOUT WRITTEN PERMISSION			A3-SIZE	90779
DIVISIONAL SYMBOLS	THIS DRAWING CONTAINS INFORMATION THAT IS PROPRIETARY TO MOLEX ELECTRONIC TECHNOLOGIES, LLC AND SHOULD NOT BE USED WITHOUT WRITTEN PERMISSION			MATERIAL NUMBER	CUSTOMER
DIVISIONAL SYMBOLS	THIS DRAWING CONTAINS INFORMATION THAT IS PROPRIETARY TO MOLEX ELECTRONIC TECHNOLOGIES, LLC AND SHOULD NOT BE USED WITHOUT WRITTEN PERMISSION			SEE CHART	GENERAL MARKET
DIVISIONAL SYMBOLS	THIS DRAWING CONTAINS INFORMATION THAT IS PROPRIETARY TO MOLEX ELECTRONIC TECHNOLOGIES, LLC AND SHOULD NOT BE USED WITHOUT WRITTEN PERMISSION			DOCUMENT NUMBER	DOC TYPE   DOC PART   REVISION
DIVISIONAL SYMBOLS	THIS DRAWING CONTAINS INFORMATION THAT IS PROPRIETARY TO MOLEX ELECTRONIC TECHNOLOGIES, LLC AND SHOULD NOT BE USED WITHOUT WRITTEN PERMISSION			SDA-90779	PSD   001   T2
DIVISIONAL SYMBOLS	THIS DRAWING CONTAINS INFORMATION THAT IS PROPRIETARY TO MOLEX ELECTRONIC TECHNOLOGIES, LLC AND SHOULD NOT BE USED WITHOUT WRITTEN PERMISSION				SHEET NUMBER
DIVISIONAL SYMBOLS	THIS DRAWING CONTAINS INFORMATION THAT IS PROPRIETARY TO MOLEX ELECTRONIC TECHNOLOGIES, LLC AND SHOULD NOT BE USED WITHOUT WRITTEN PERMISSION				1 OF 1