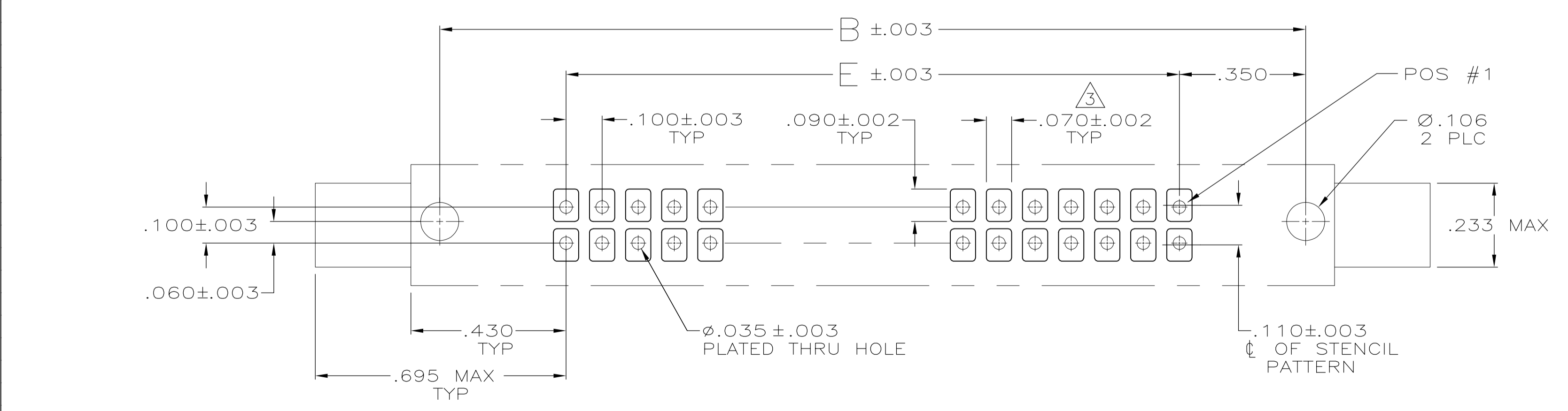
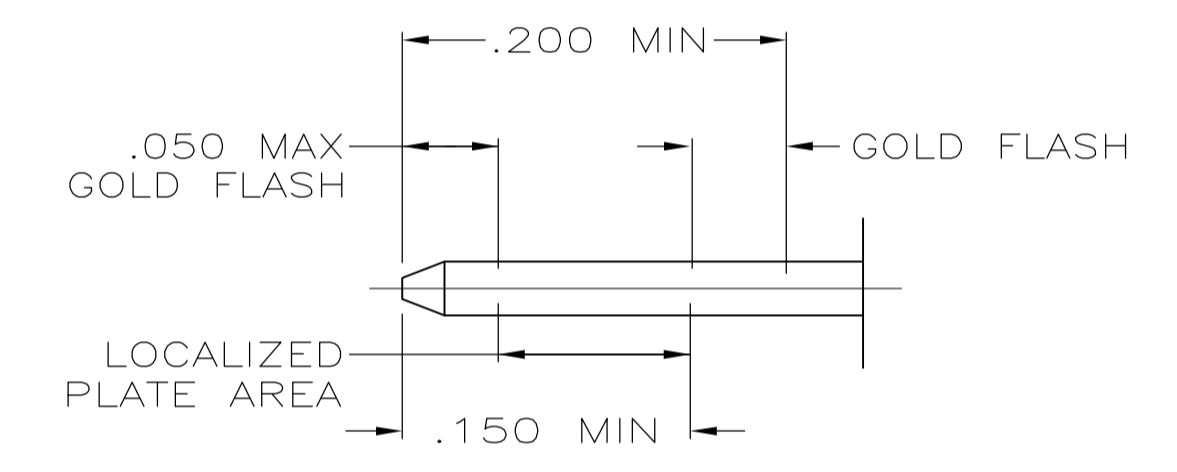
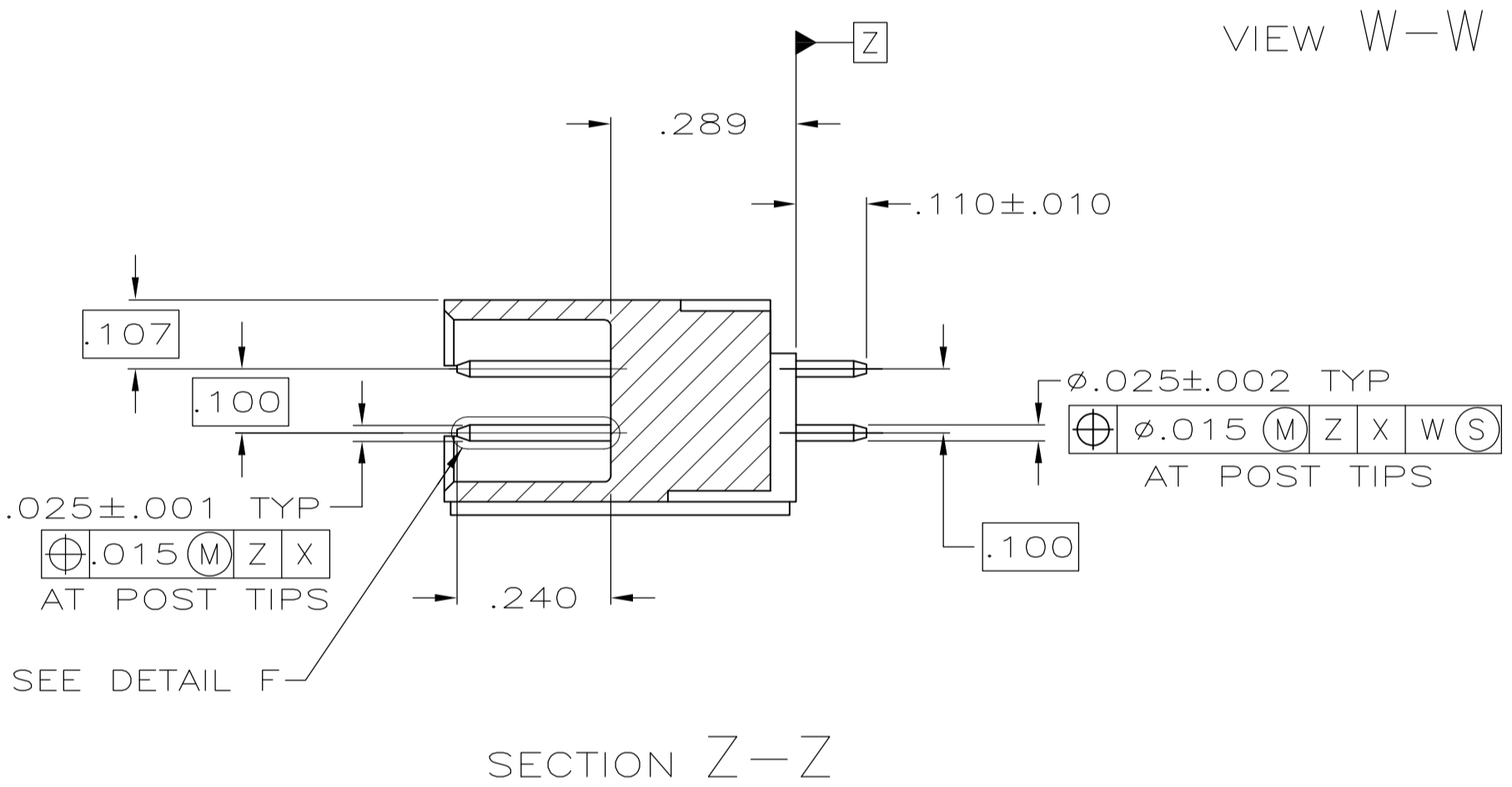
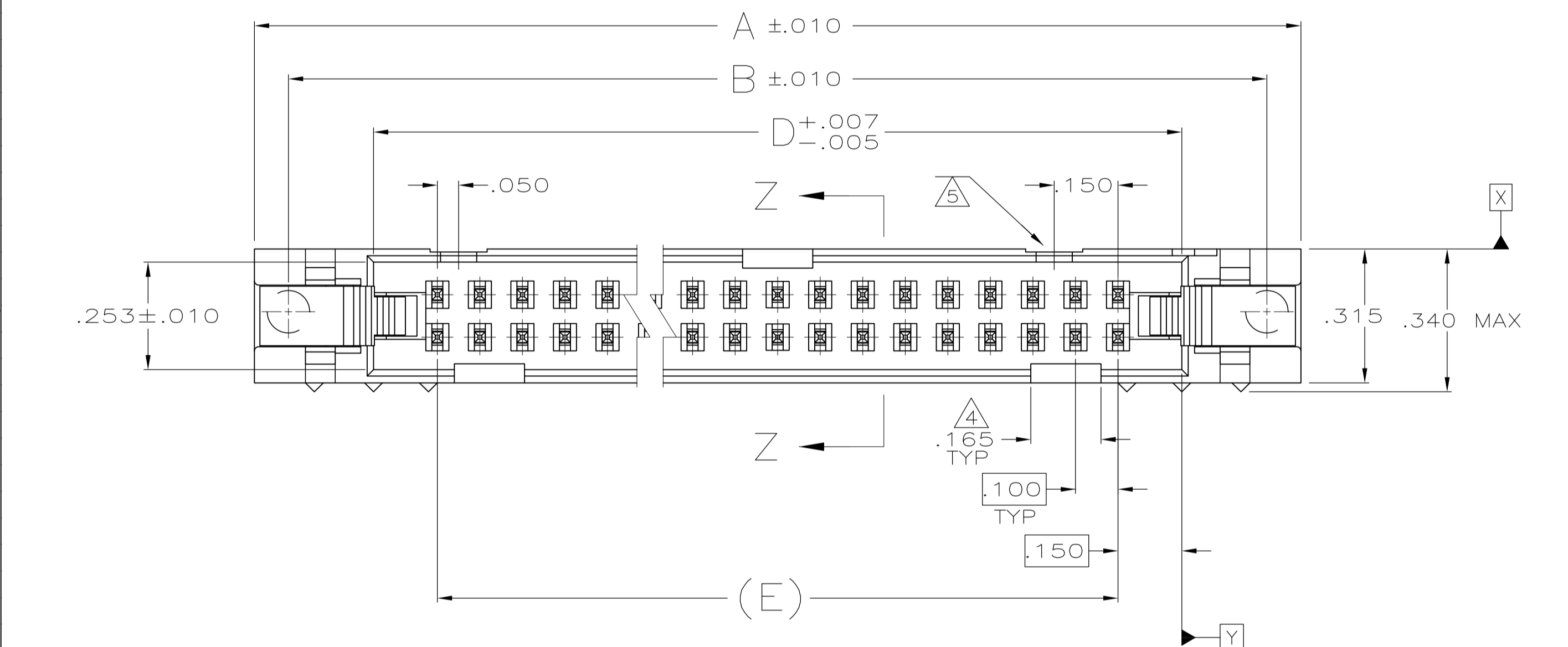
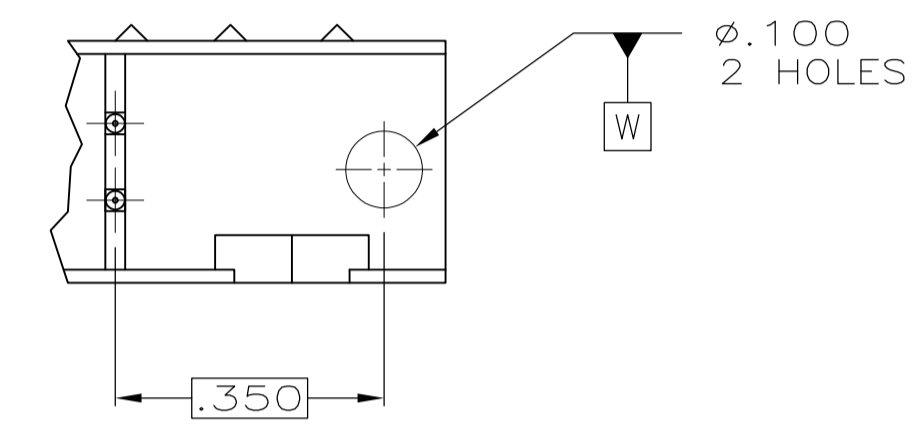


- ⚠ MOLDED PARTS: FLAME RETARDANT UL94V-0 RATED, GLASS FILLED PCT, COLOR RED. POSTS: BRASS OR PHOSPHOR BRONZE.
- ⚠ POSTS: GOLD FLASH OVER PALLADIUM-NICKEL PLATE, .000030 MIN TOTAL ON THE LOCALIZED PLATE AREA, .000100 MIN TIN PLATE ON THE SOLDER-TAIL, .000050 MIN NICKEL UNDERPLATE ON THE ENTIRE POST.
-OR-
.000030 MIN GOLD PLATE ON THE LOCALIZED PLATE AREA, .000100 MIN TIN PLATE ON THE SOLDER-TAIL, .000050 MIN NICKEL UNDERPLATE ON THE ENTIRE POST.
- ⚠ RECOMMENDED STENCIL THICKNESS EQUALS .010.
- ⚠ FOR 10 POS HEADER ONLY, ONE SLOT LOCATED AS SHOWN.
- ⚠ NO SNAP-IN POLARIZING FEATURE ON THIS END FOR 10 & 14 POS. HEADERS.



1.600	1.900	2.060	2.300	2.460	34	5111374-8
1.200	1.500	1.660	1.900	2.060	26	5111374-6
2.400	2.700	2.860	3.100	3.260	50	1-5111374-0
1.900	2.200	2.360	2.600	2.760	40	5111374-9
.900	1.200	1.360	1.600	1.760	20	5111374-4
.700	1.000	1.160	1.400	1.560	16	5111374-3
.600	.900	1.060	1.300	1.460	14	5111374-2
.400	.700	.860	1.100	1.260	10	5111374-1

THIS DRAWING IS A CONTROLLED DOCUMENT. DIMENSIONING AND TOLERANCING PER ASME Y14.5M-2009.

APPROVED: G. ATTADIA - DOCKS, S. BOLASH, M. WALMSLEY

NAME: HEADER ASSEMBLY, UNIVERSAL, HIGH TEMP, W/LATCHES, AMP-LATCH

PRODUCT SPEC: 108-40018

APPLICATION SPEC: A1 00779

SCALE: 4:1 SHEET: 1 OF 1 REV: C