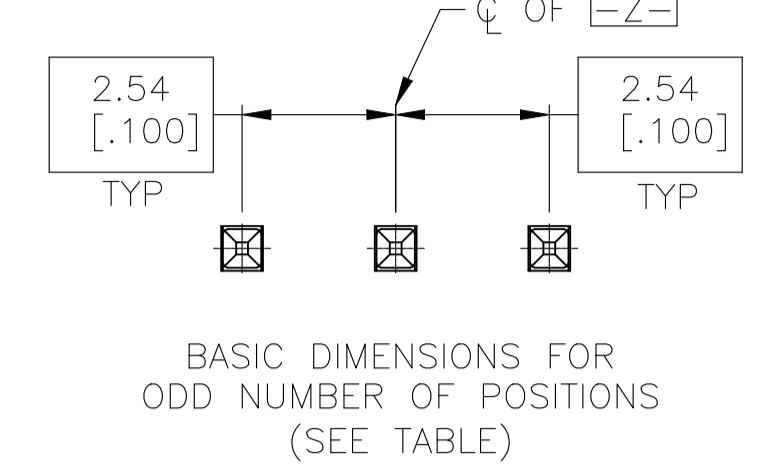
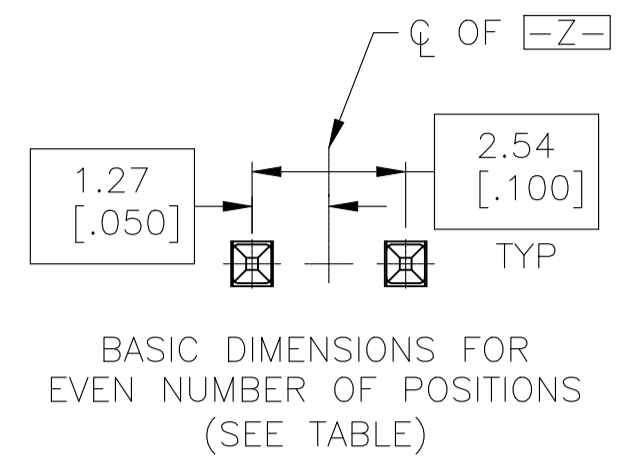
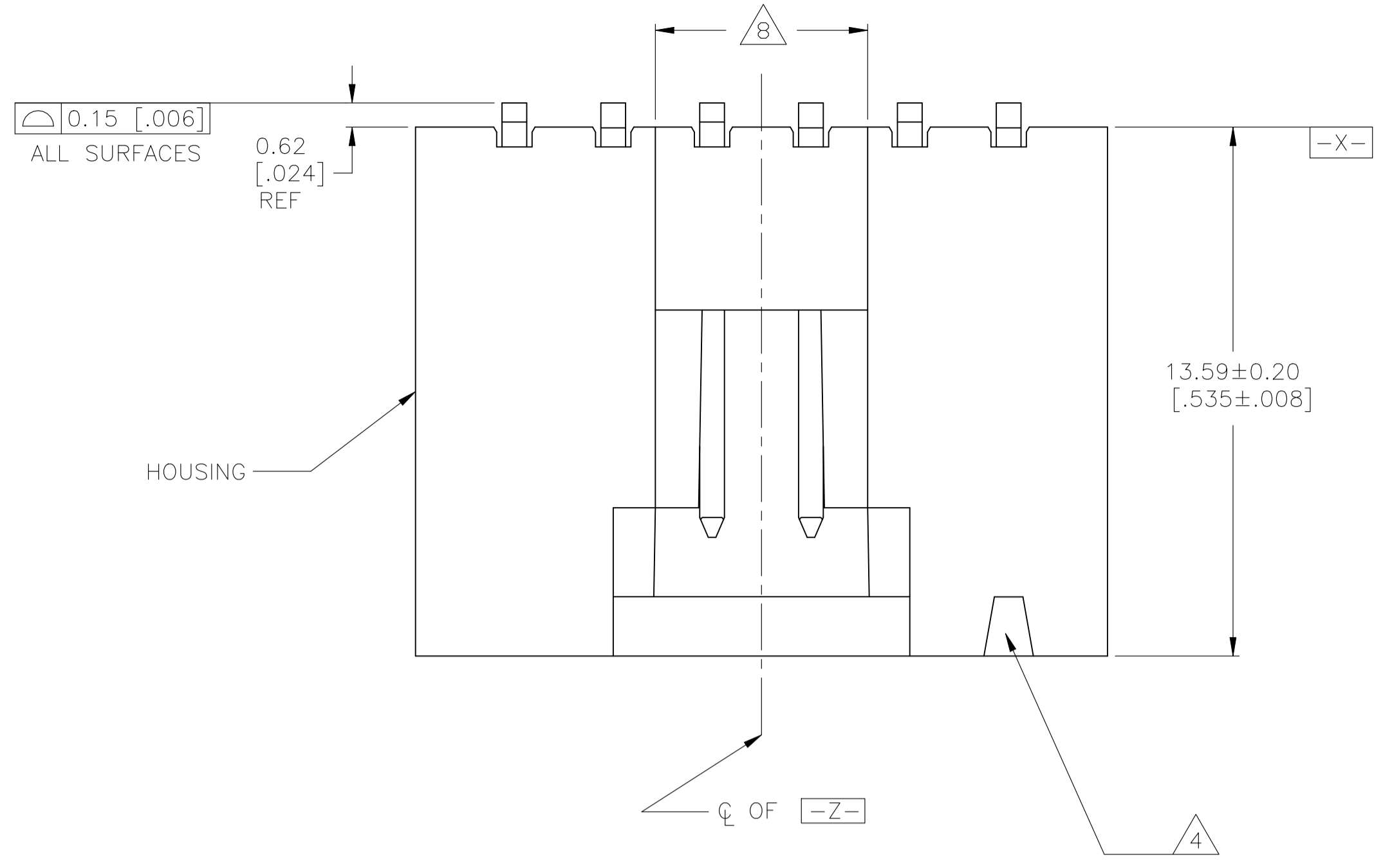
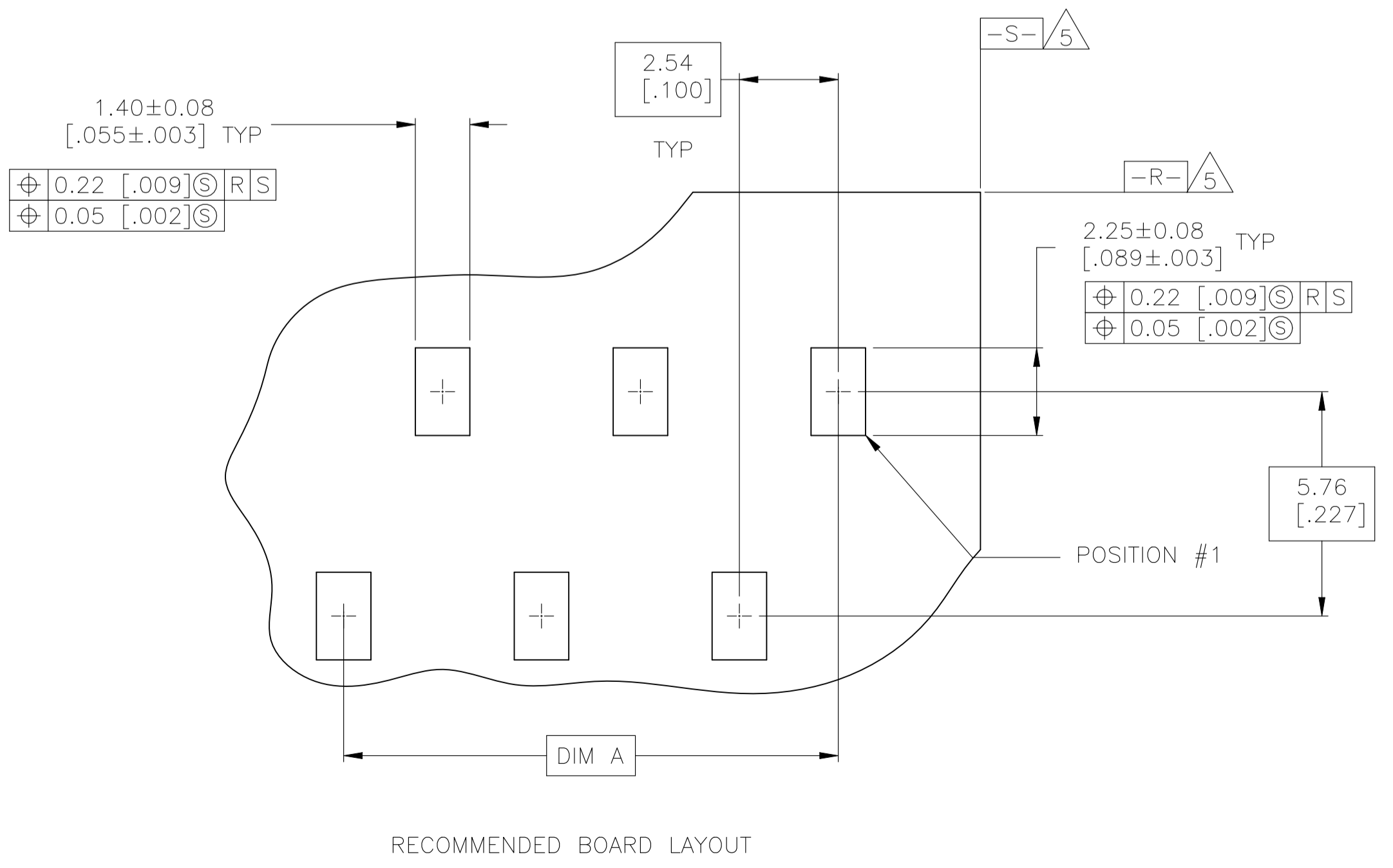
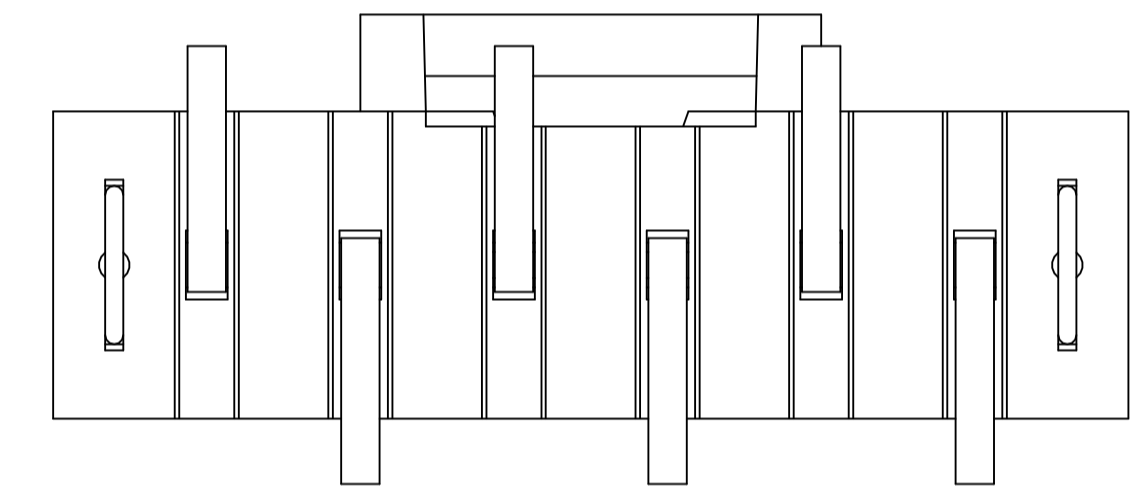
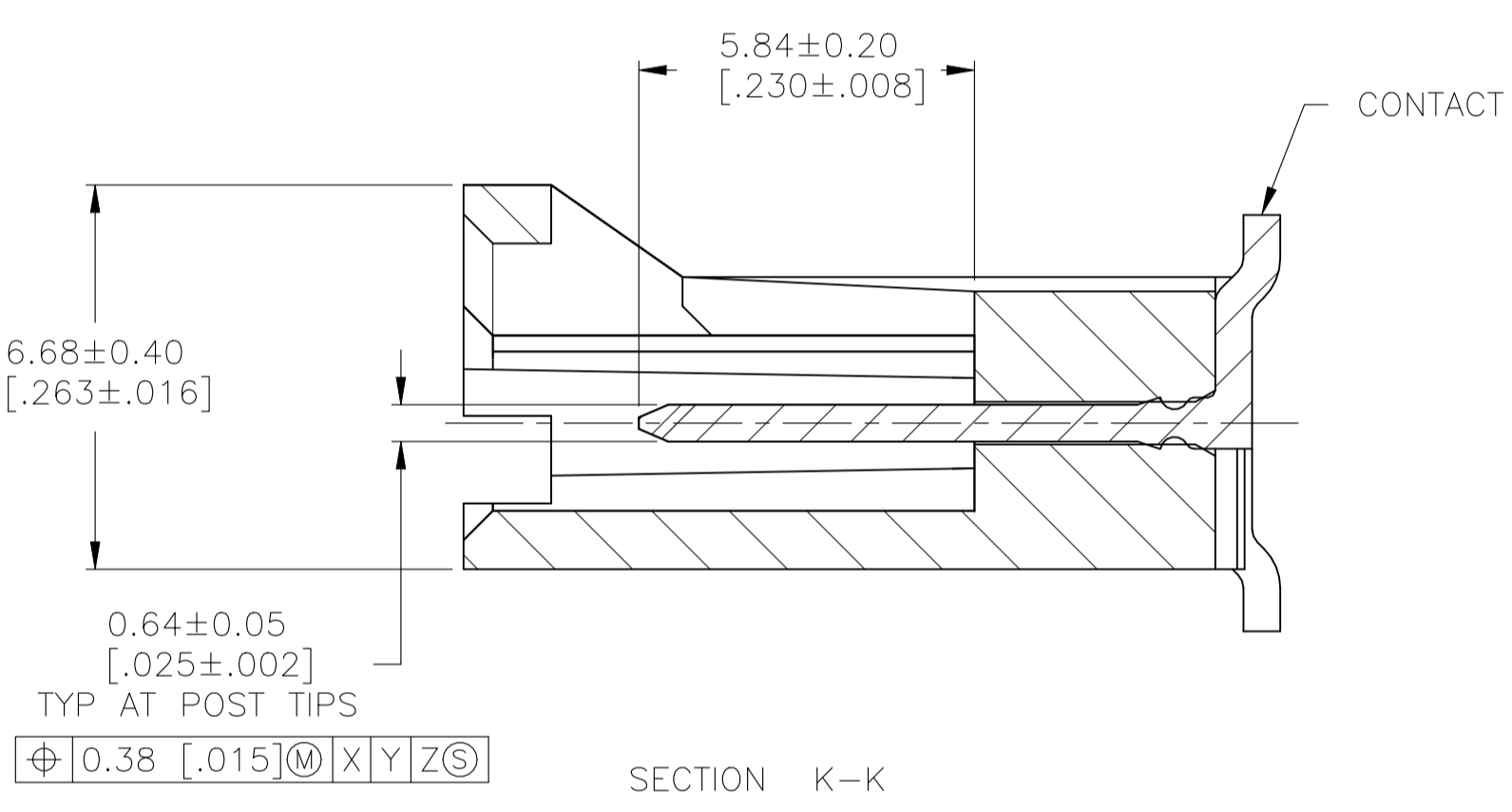
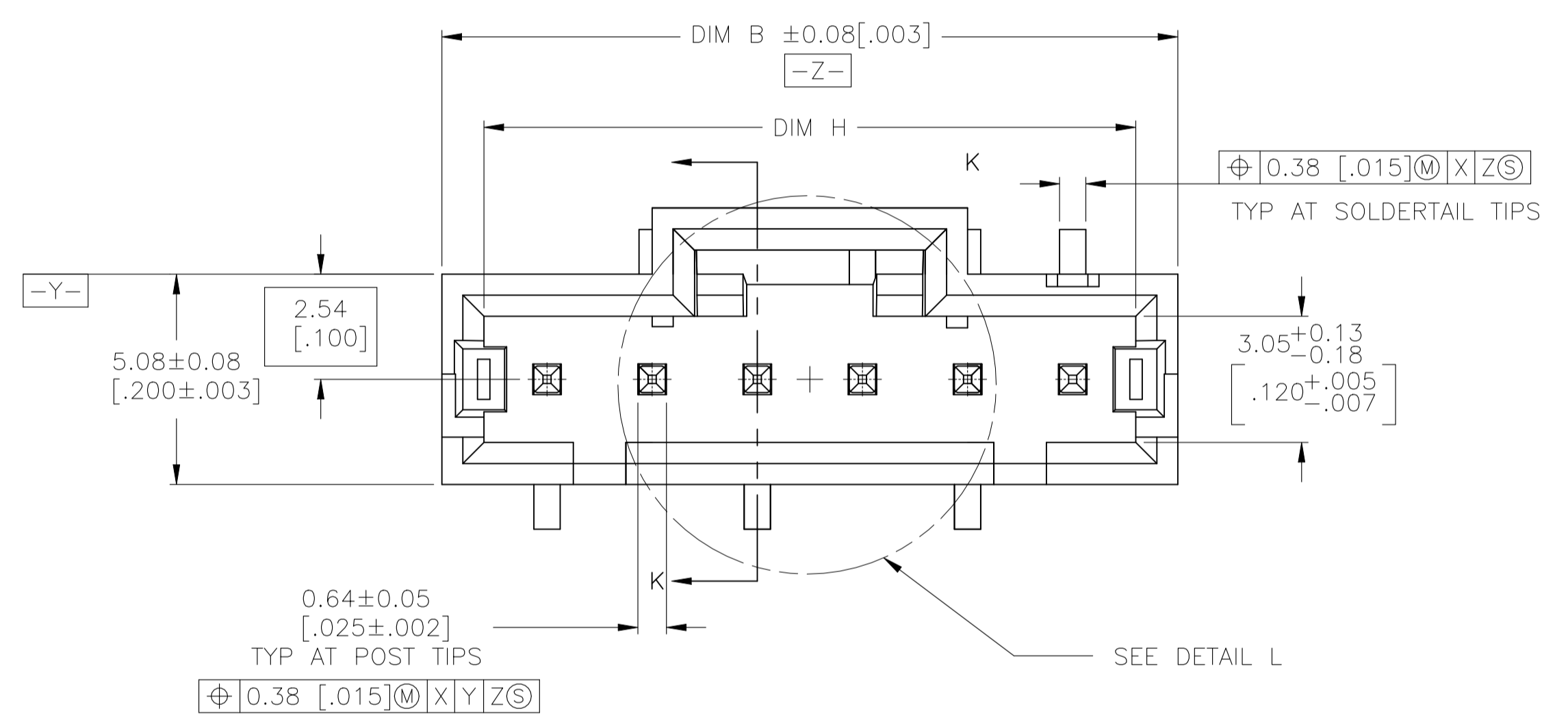


REVISIONS					
REV	DATE	DESCRIPTION	BY	CHK	APPV
C	04JUN2020	REVISED PER ECO-20-001912	SB	JO	



1. PACKAGE: TUBES
2. MATERIAL: HOUSING- HIGH TEMPERATURE LCP, COLOR - BLACK, CONTACTS- BRASS
3. FINISH: CONTACTS: 0.00254[.0001] BRIGHT TIN-LEAD OVER 0.00127[.00005] NICKEL
4. CIRCUIT POSITION #1 IDENTIFICATION MARK
5. DATUMS ARE ESTABLISHED BY CUSTOMER
6. FINISH: CONTACTS: 0.00254[.0001] MATTE TIN OVER 0.00127[.00005] NICKEL
7. PRELIMINARY PART - NOT RELEASED FOR PRODUCTION
8. 0.25 [.010] RECESS PERMISSIBLE IN THIS AREA FOR MOLD SHUT OFF



REV	DATE	DESCRIPTION	BY	CHK	APPV	NO OF POSN	PART NUMBER
6	19	51.31[2.020]	53.21[2.095]	48.26[1.900]	20	5-1825573-3	
6	17	48.77[1.920]	50.67[1.995]	45.72[1.800]	19	5-1825573-2	
3	19	51.31[2.020]	53.21[2.095]	48.26[1.900]	20	1825573-3	
3	17	48.77[1.920]	50.67[1.995]	45.72[1.800]	19	1825573-2	
3	10	28.45[1.120]	30.35[1.195]	24.50[1.000]	11	1825573-1	

THIS DRAWING IS A CONTROLLED DOCUMENT.

DIMENSIONS: mm [INCHES]	TOLERANCES UNLESS OTHERWISE SPECIFIED:	DIN R BROWN 06MAR2006	TE Connectivity
0. PLC ± -	1. PLC ± -	CHK J GESFORD 06MAR2006	AMP MODU MTE SURFACE MOUNT, VERTICAL HEADER ASSEMBLY
2. PLC ± 0.13 [0.005]	3. PLC ± -	APPV J GESFORD 06MAR2006	108-25034-2
4. PLC ± -	ANGLES ± -	PRODUCT SPEC	114-25026
MATERIAL	FINISH SEE TABLE	APPLICATION SPEC	SIZE CAGE CODE DRAWING NO
		WEIGHT	A1 00779 C=1825573
		CUSTOMER DRAWING	RESTRICTED TO

SCALE 8:1 SHEET 1 of 1 REV C