

THIS DRAWING IS UNPUBLISHED. RELEASED FOR PUBLICATION
 © COPYRIGHT - By - ALL RIGHTS RESERVED.

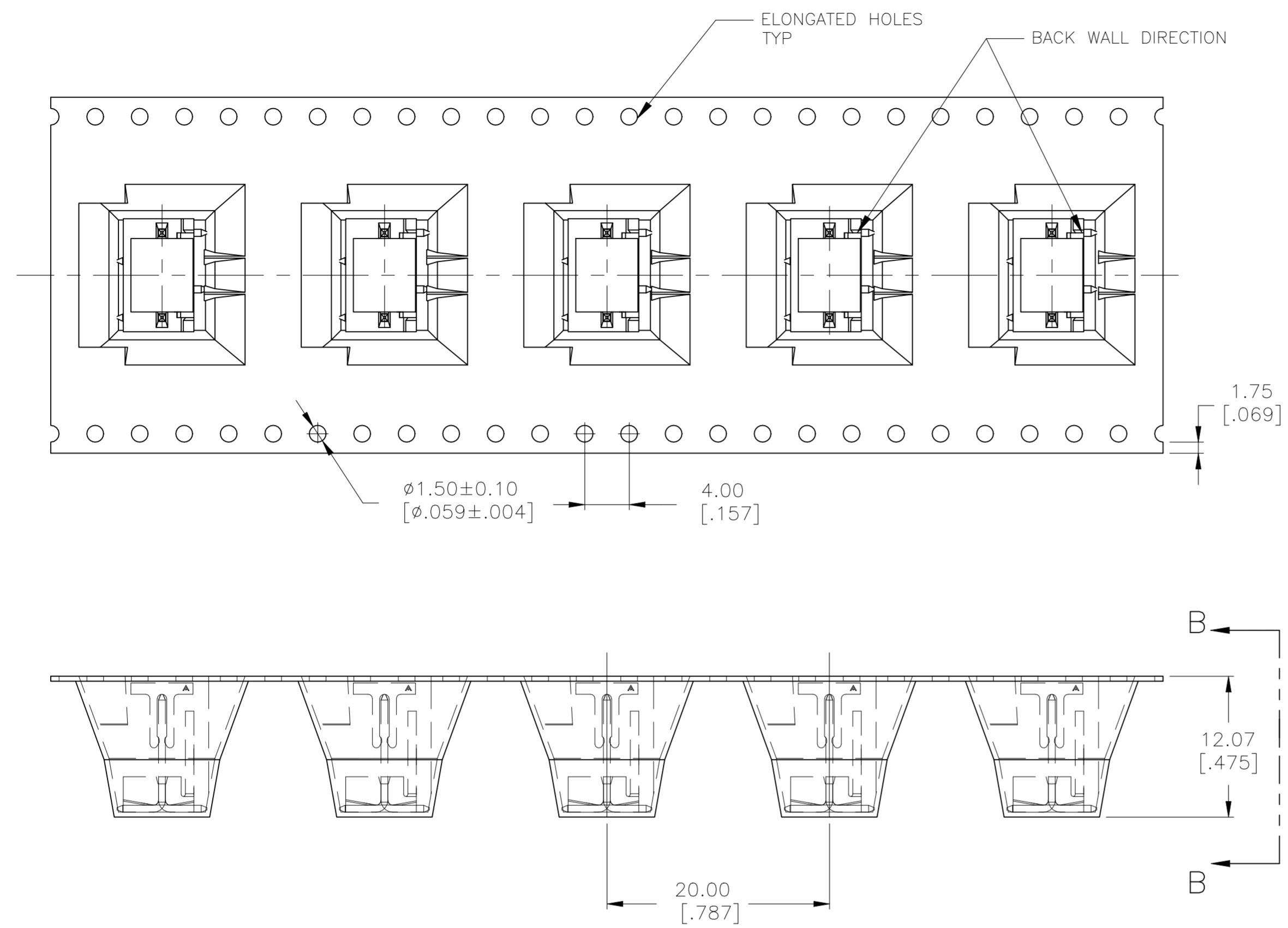
REVISIONS					
P	LTR	DESCRIPTION	DATE	DWN	APVD
C		REVISED PER ECR-23-182036	07AUG2023	AK	JP

D

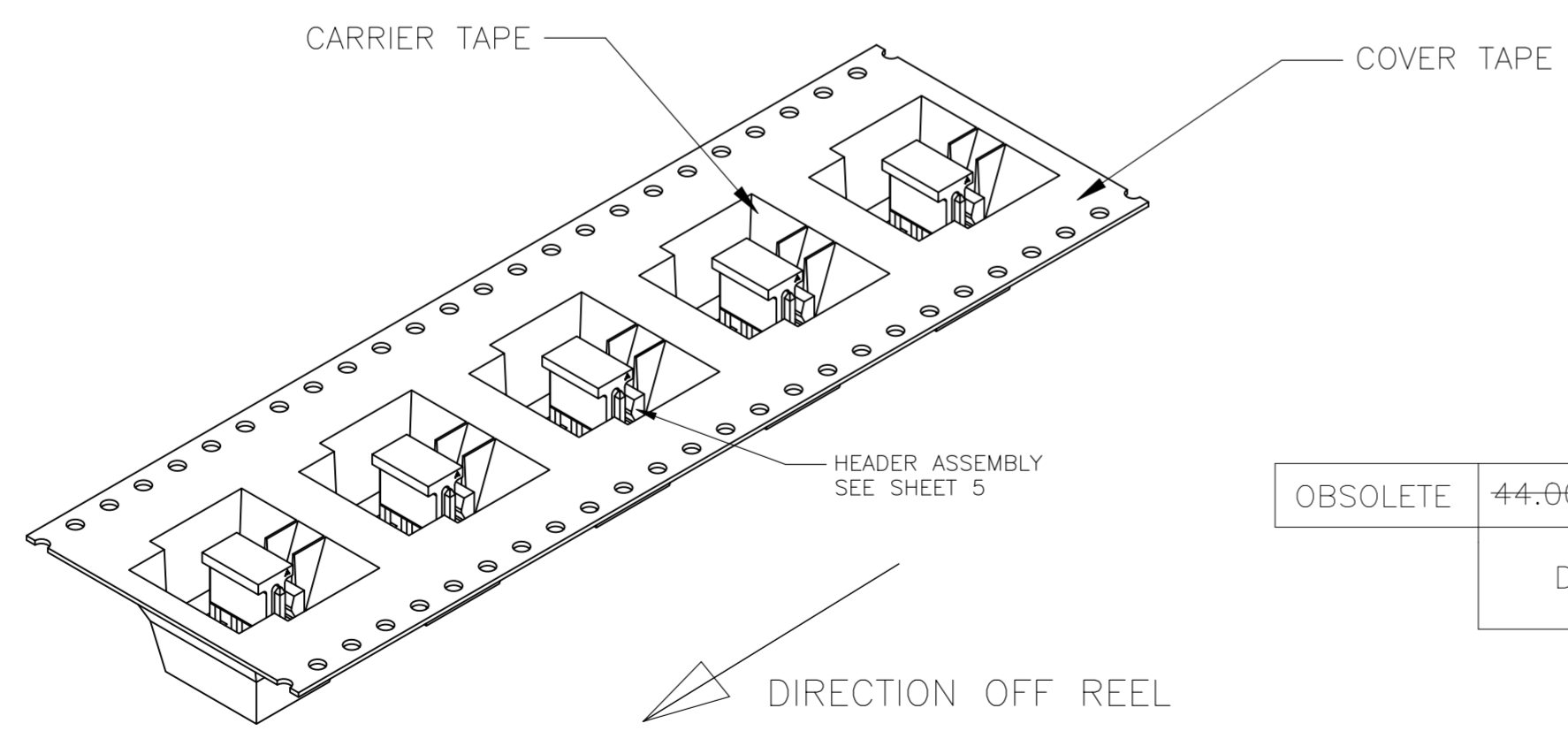
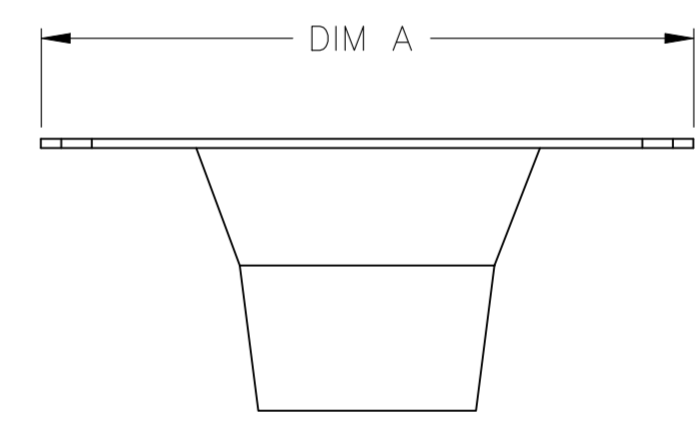
C

B

A



- 1 MATERIAL:
 HEADER- NYLON 4/6, HIGH TEMPERATURE, UL94V-0
 POST: COPPER ALLOY
 CAVITY CARRIER TAPE: BLACK CONDUCTIVE POLYCARBONATE
 COVER TAPE: POLYESTER FILM TAPE.
- 2 FINISH:
 HOUSING: COLOR, BLACK
 POST: GOLD PLATED.
- 3 POSTS TO WITHSTAND 13 NEWTONS [3 LBS] MIN AXIAL FORCE IN THIS DIRECTION WITHOUT DISLODGING, BEFORE SOLDERING.
- 4 POSTS SOLDER TAILS MUST COMPLY WITH AMP SOLDERABILITY SPEC 109-11-2.
- 5 MEASURED AT $\square A$
- 6 APPLIES WHEN HEADER IS HELD STRAIGHT.
- 7 COORDINATE DIMENSION APPLIES FROM CENTER OF ACTUAL FEATURE.
- 8 DIMENSIONS APPLY TO THE COMPONENT SIDE OF BOARD.
- 9 MAXIMUM TEMPERATURE EXPOSURE DURING REFLOW SOLDERING NOT TO EXCEED 280°C [536°F]
- 10 HEADERS ARE SUPPLIED ON A 330.2mm [13 INCH] DIAMETER REEL, WITH 225 PARTS PER REEL. THE CAVITY CARRIER TAPE HOLDS 1 PART PER POCKET, ORIENTED AS SHOWN.
- 11 AMP LOGO, UL AND CSA TRADEMARKS TO APPEAR ON THIS SURFACE.



OBSOLETE	44.00 [1.732]	972366-5	1706504-8	147117-5	7	3-647168-7	3-1744163-7
	DIM "A"	COVER TAPE	CARRIER TAPE	PICK & PLACE CAP	NO. OF POSITIONS	HEADER ASSEMBLY	PART NO

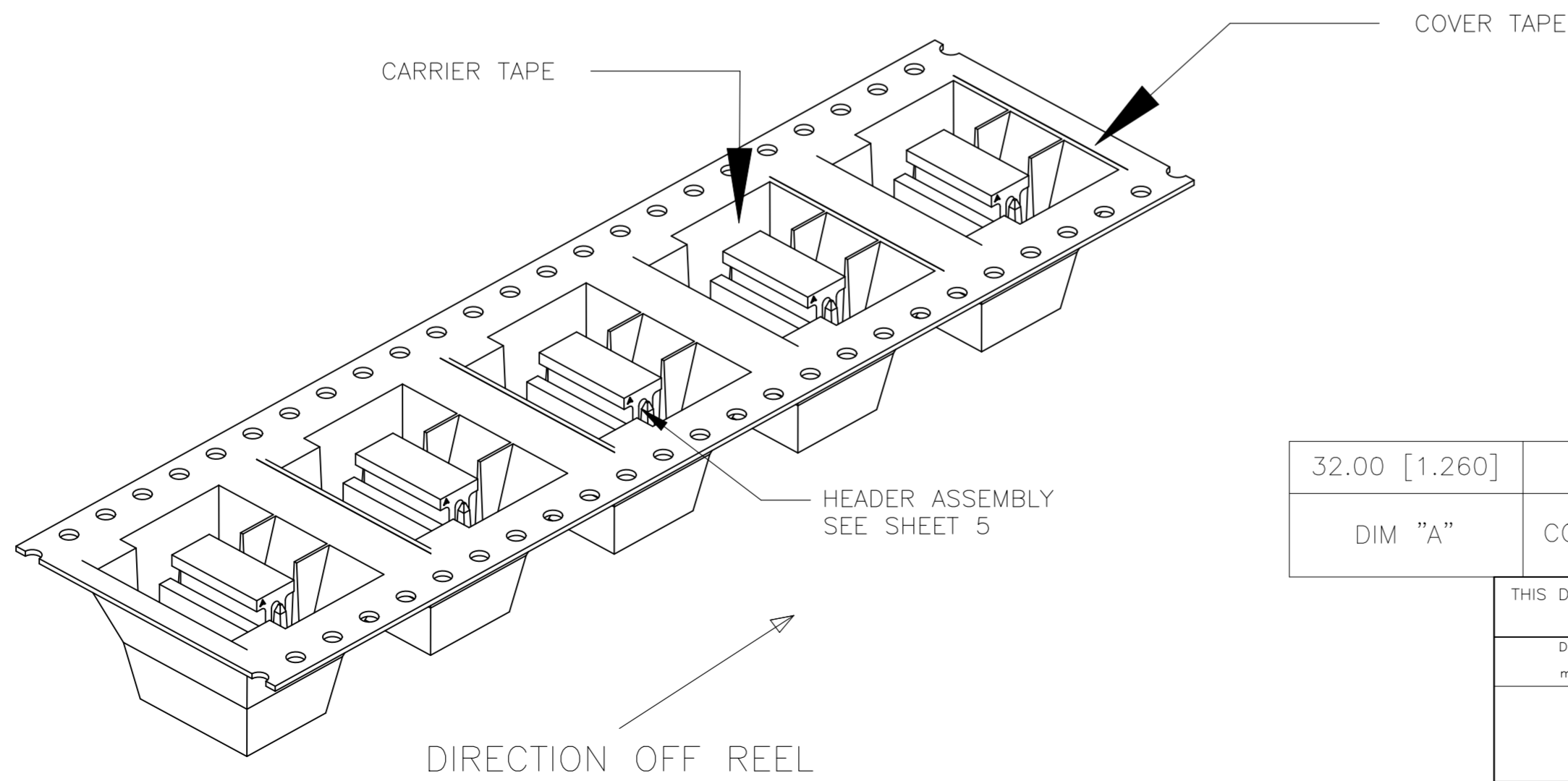
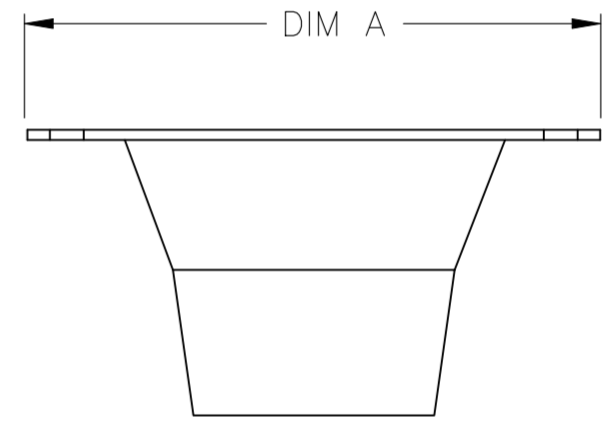
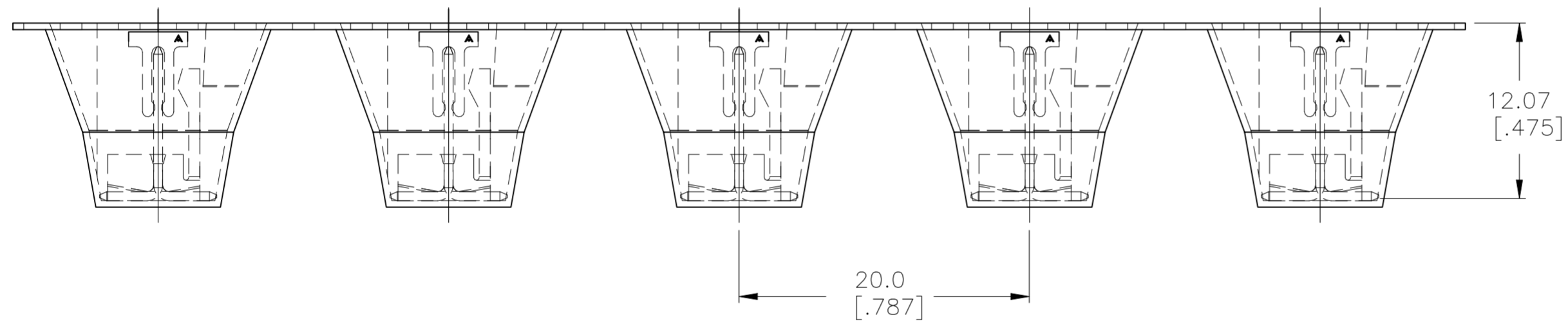
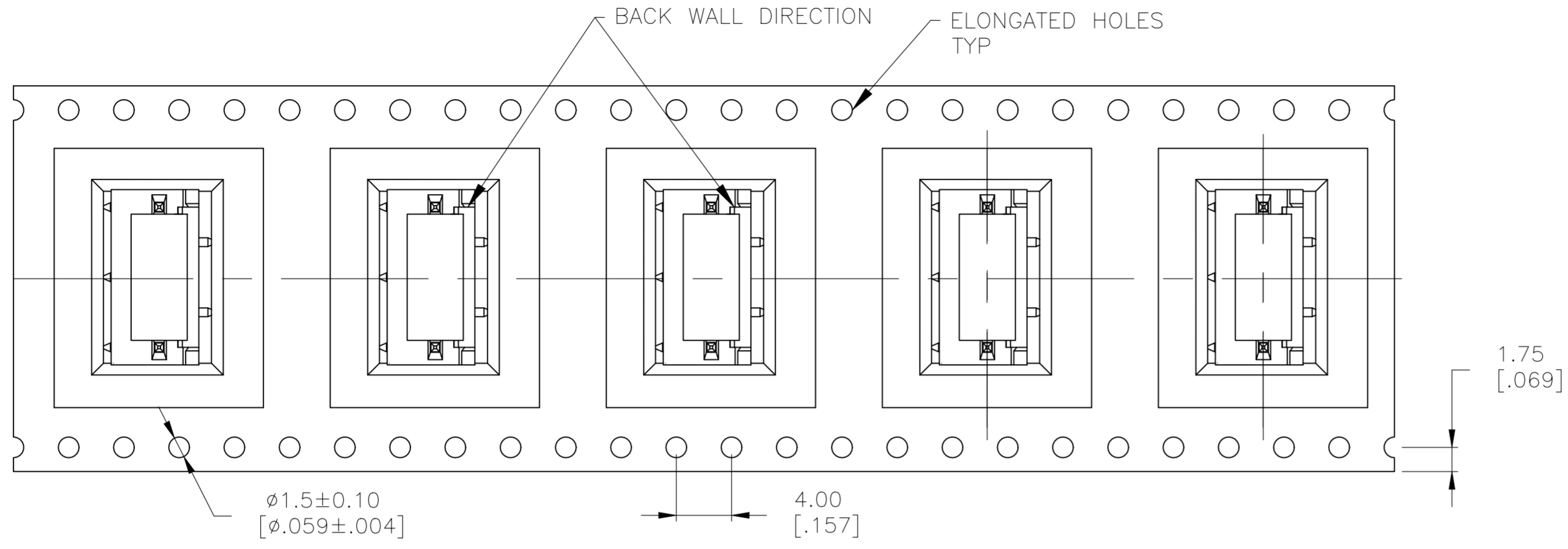
THIS DRAWING IS A CONTROLLED DOCUMENT.

DWN	jr ruth	30MAR11	 TE Connectivity MTA-100 HEADER ASSY, SURFACE MOUNT, FRICTION LOCK, TAPE LOADED W/CAP			
CHK	SAM MACE	30MAR11				
APVD	SAM MACE	30MAR11				
PRODUCT SPEC	108-1050					
APPLICATION SPEC	114-1019		SIZE	CAGE CODE	DRAWING NO	RESTRICTED TO
MATERIAL	-	WEIGHT	A2	00779	C=1744163	-
FINISH	-	CUSTOMER DRAWING	SCALE	3:1	SHEET	1 of 6
						REV
						C

1744163

THIS DRAWING IS UNPUBLISHED. RELEASED FOR PUBLICATION
 © COPYRIGHT - By - ALL RIGHTS RESERVED.

REVISIONS					
P	LTR	DESCRIPTION	DATE	DWN	APVD
-	-	SEE SHEET 1	-	-	-

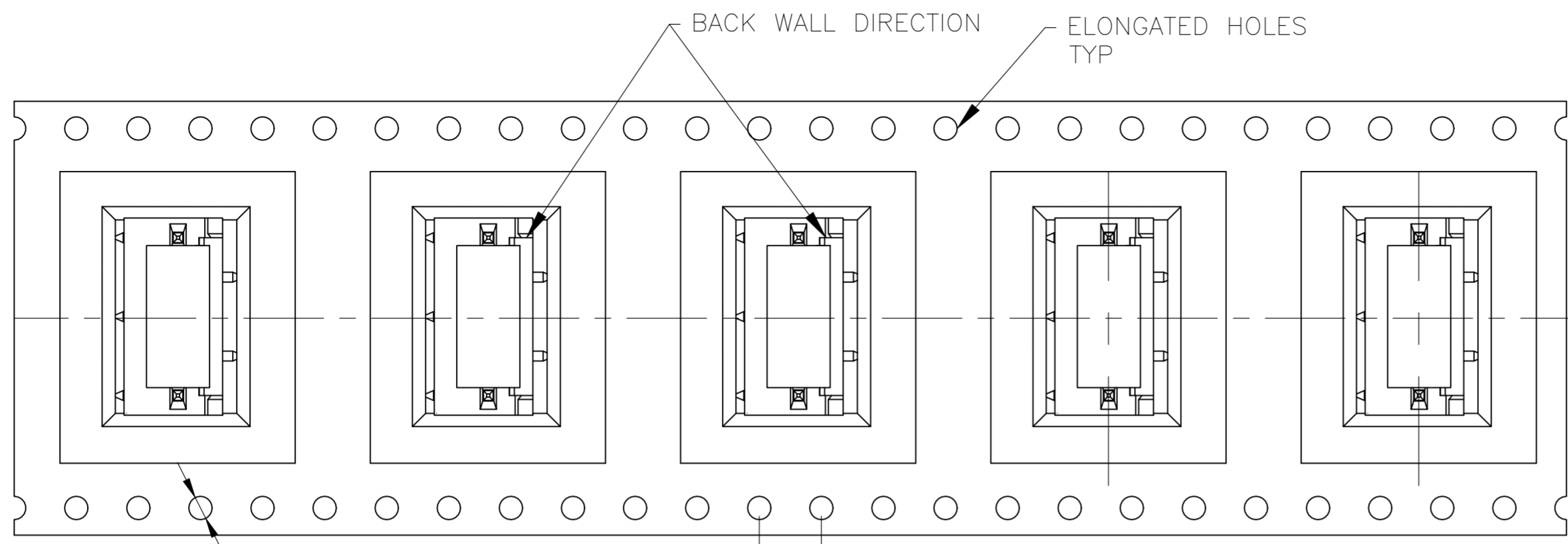


32.00 [1.260]	972366-4	1706504-4	147117-5	4	3-647168-4	3-1744163-4
DIM "A"	COVER TAPE	CARRIER TAPE	PICK & PLACE CAP	NO. OF POSITIONS	HEADER ASSEMBLY	PART NO

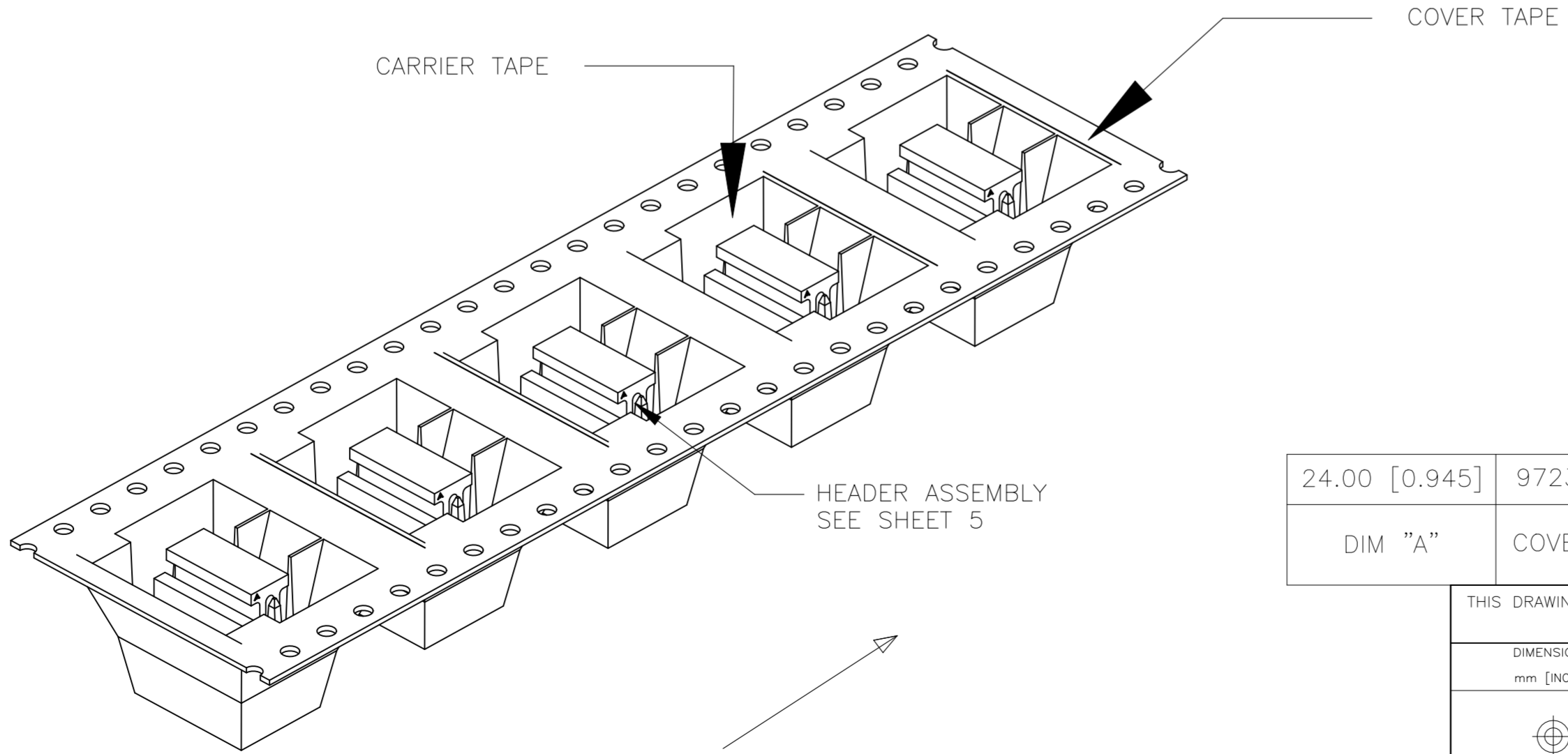
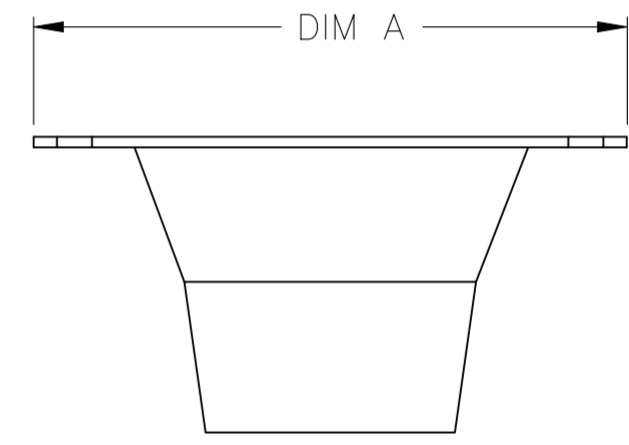
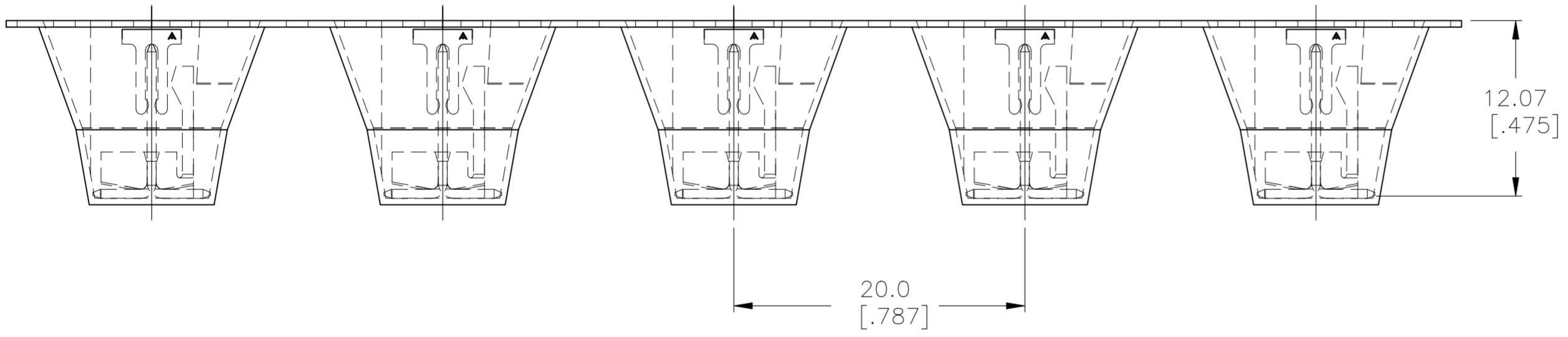
THIS DRAWING IS A CONTROLLED DOCUMENT.		DWN jr ruth 30MAR11	TE Connectivity			
DIMENSIONS: mm [INCHES]		CHK SAM MACE 30MAR11				
TOLERANCES UNLESS OTHERWISE SPECIFIED:		APVD SAM MACE 30MAR11	NAME MTA-100 HEADER ASSY, SURFACE MOUNT, FRICTION LOCK, TAPE LOADED W/CAP			
0 PLC ± -		PRODUCT SPEC 108-1050	SIZE A2			
1 PLC ± -		APPLICATION SPEC 114-1019	CAGE CODE 00779			
2 PLC ± -		WEIGHT	DRAWING NO C=1744163			
3 PLC ± .015		FINISH	RESTRICTED TO -			
4 PLC ± -		CUSTOMER DRAWING	SCALE 3:1			
ANGLES ± 1°			SHEET 2 of 6			
FINISH			REV C			

THIS DRAWING IS UNPUBLISHED. RELEASED FOR PUBLICATION
 © COPYRIGHT - By - ALL RIGHTS RESERVED.

REVISIONS					
P	LTR	DESCRIPTION	DATE	DWN	APVD
-	-	SEE SHEET 1	-	-	-



$\phi 1.5 \pm 0.10$
 $[\phi .059 \pm .004]$ 4.00
 $[\ .157]$

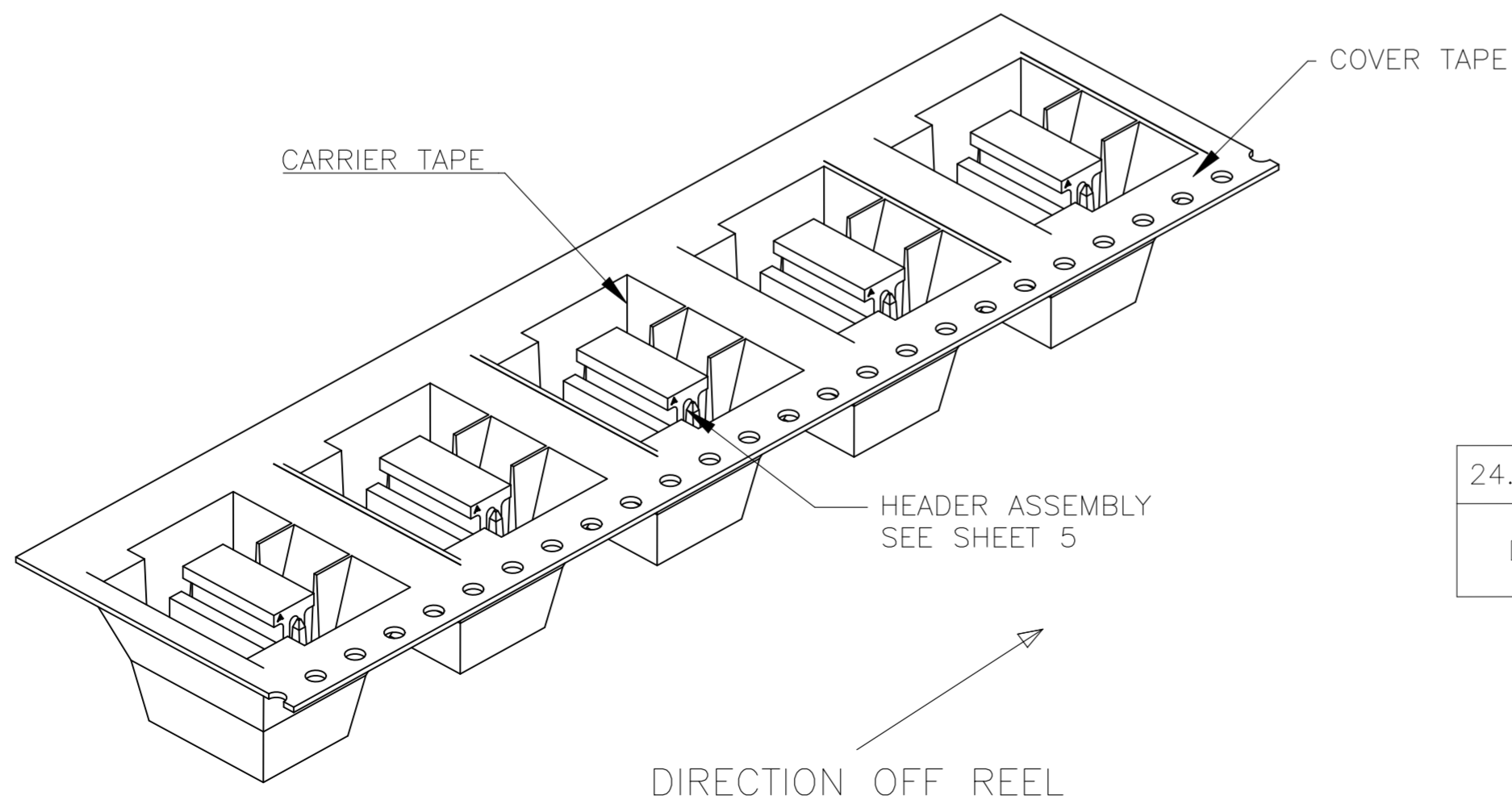
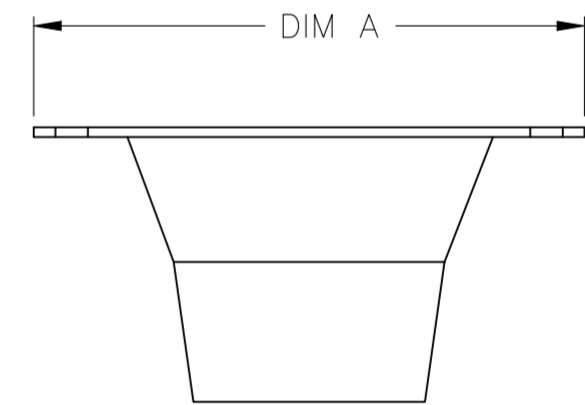
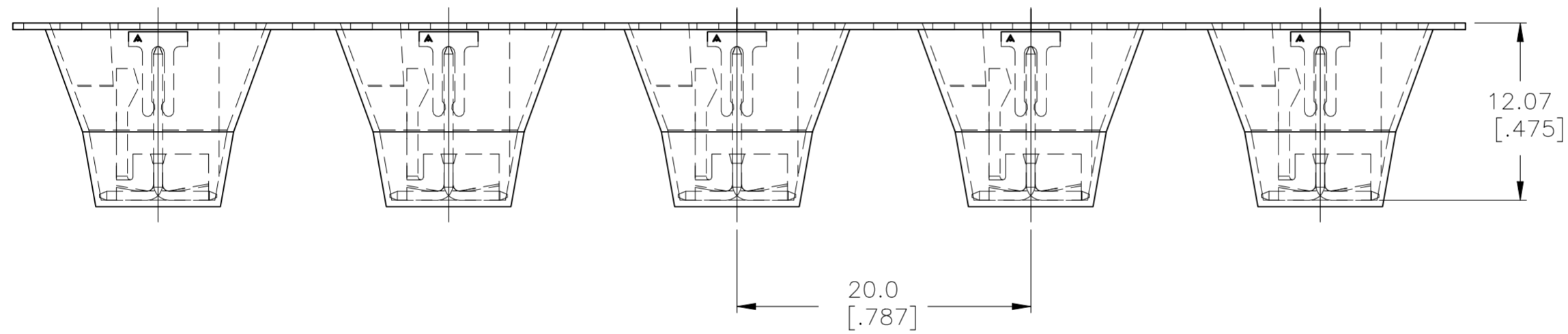
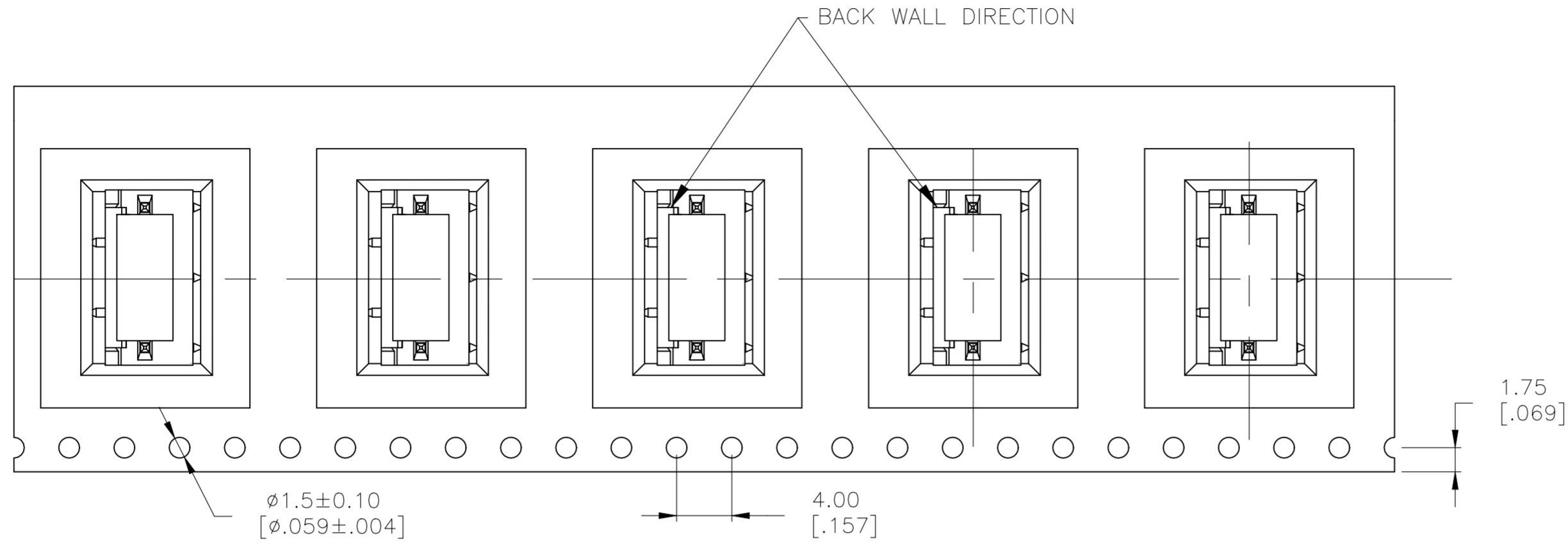


24.00 [0.945]	972366-3	1706504-3	147117-5	3	3-647168-3	3-1744163-3
DIM "A"	COVER TAPE	CARRIER TAPE	PICK & PLACE CAP	NO. OF POSITIONS	HEADER ASSEMBLY	PART NO

THIS DRAWING IS A CONTROLLED DOCUMENT.		DWN jr ruth 30MAR11	TE Connectivity			
DIMENSIONS: mm [INCHES]		CHK SAM MACE 30MAR11				
TOLERANCES UNLESS OTHERWISE SPECIFIED:		APVD SAM MACE 30MAR11	NAME MTA-100 HEADER ASSY, SURFACE MOUNT, FRICTION LOCK, TAPE LOADED W/CAP			
0 PLC ± -		PRODUCT SPEC 108-1050	SIZE A2			
1 PLC ± -		APPLICATION SPEC 114-1019	CAGE CODE 00779			
2 PLC ± -		WEIGHT	DRAWING NO C=1744163			
3 PLC ± .015		FINISH	RESTRICTED TO -			
4 PLC ± -		MATERIAL	SCALE 3:1			
ANGLES ± 1°		FINISH	SHEET 3 of 6			
FINISH		CUSTOMER DRAWING	REV C			

THIS DRAWING IS UNPUBLISHED. RELEASED FOR PUBLICATION
 © COPYRIGHT - By - ALL RIGHTS RESERVED.

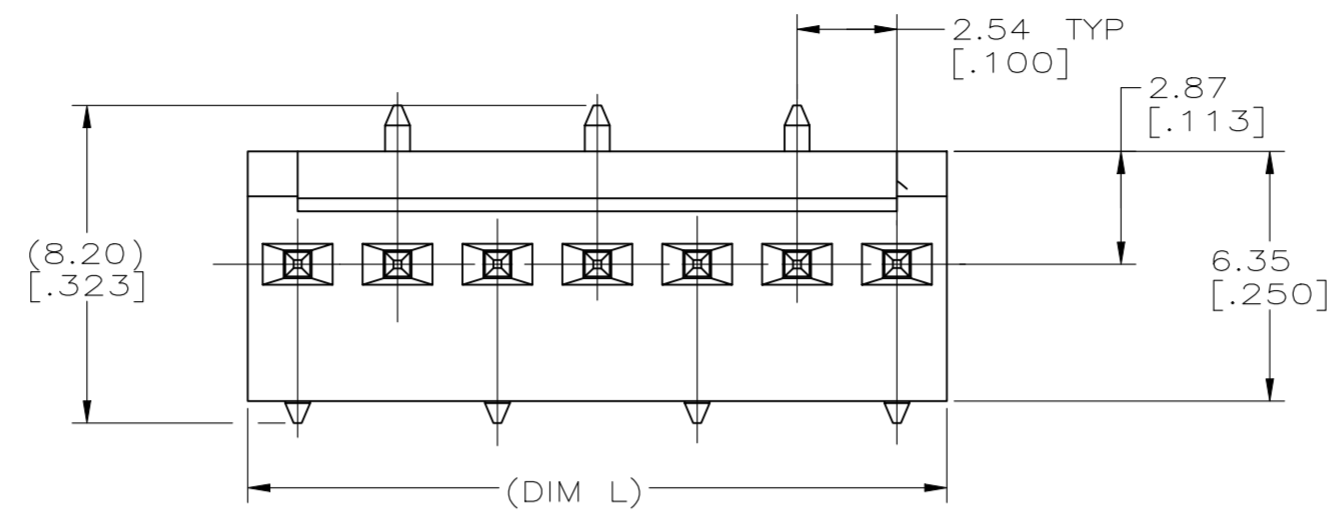
REVISIONS					
P	LTR	DESCRIPTION	DATE	DWN	APVD
-	-	SEE SHEET 1	-	-	-



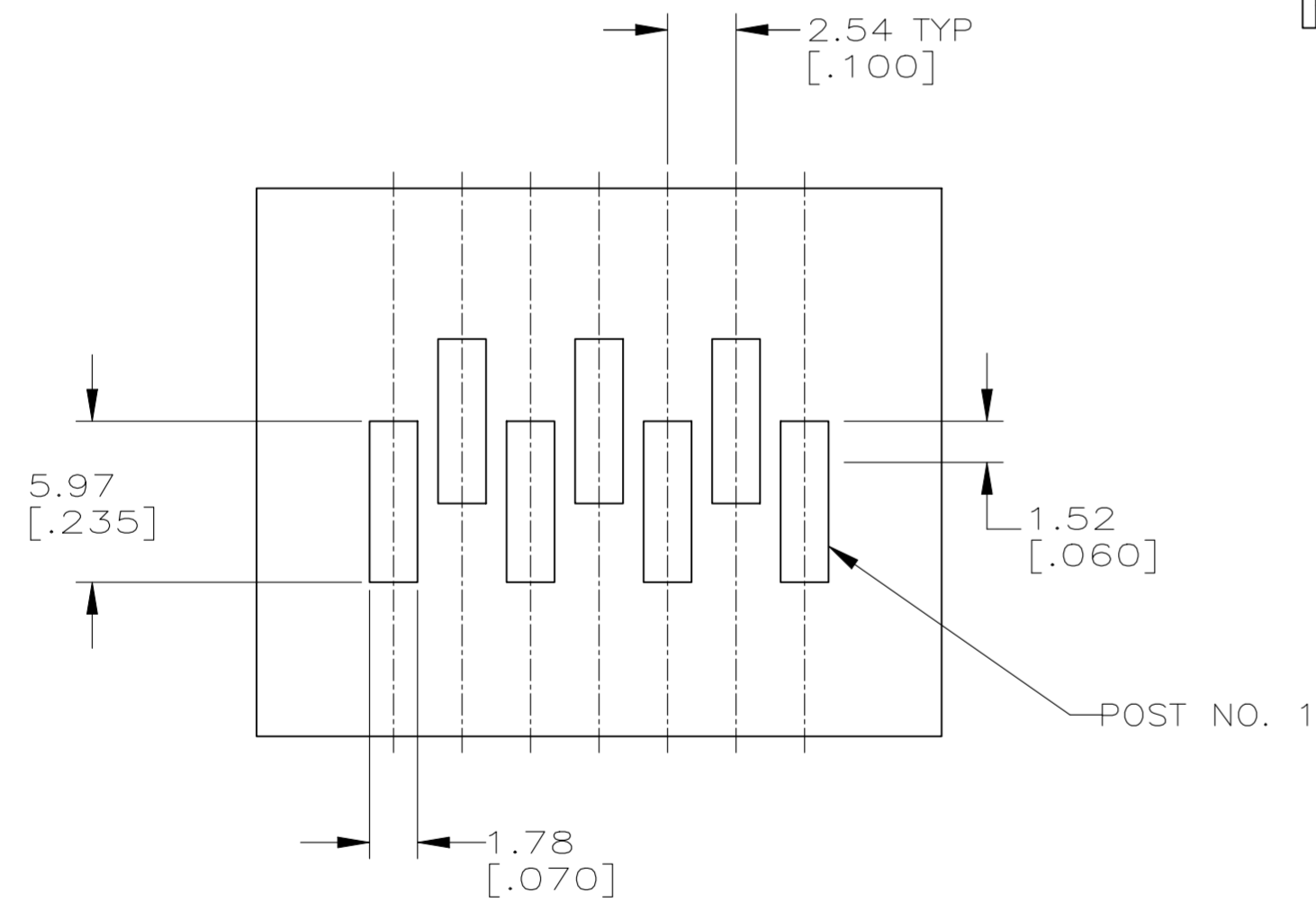
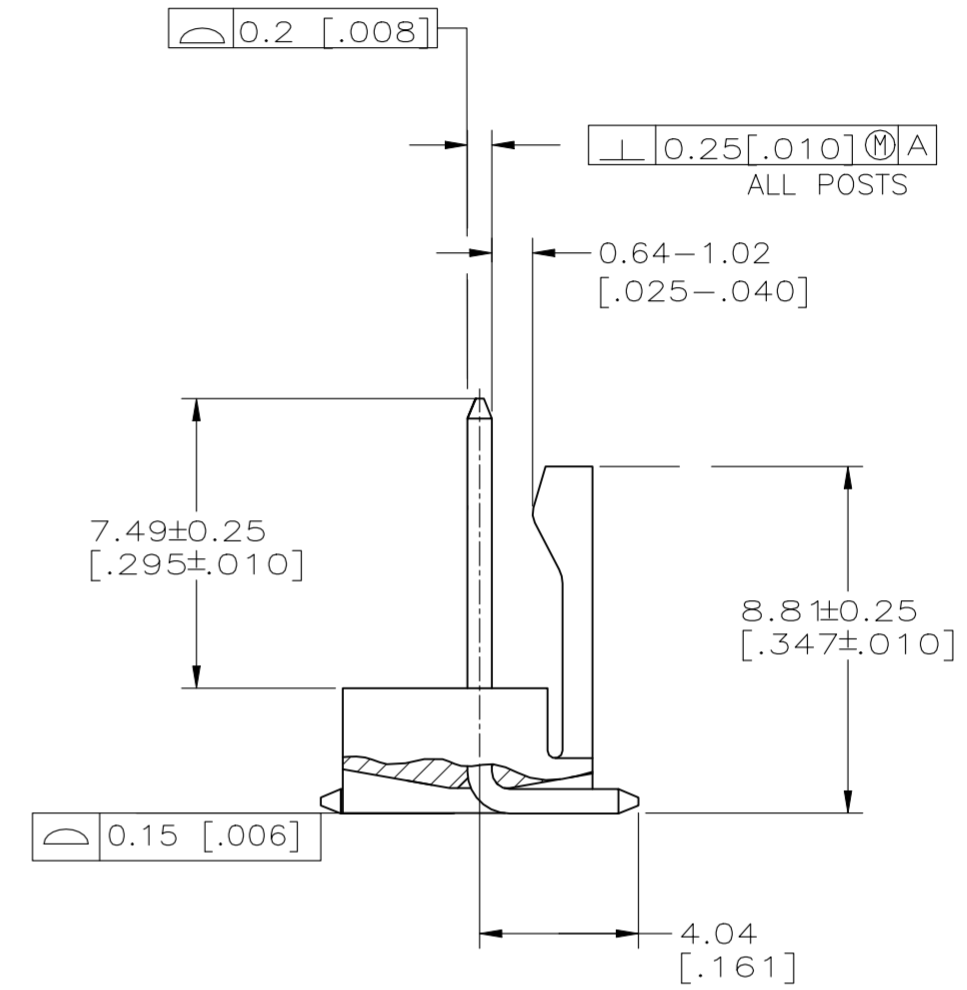
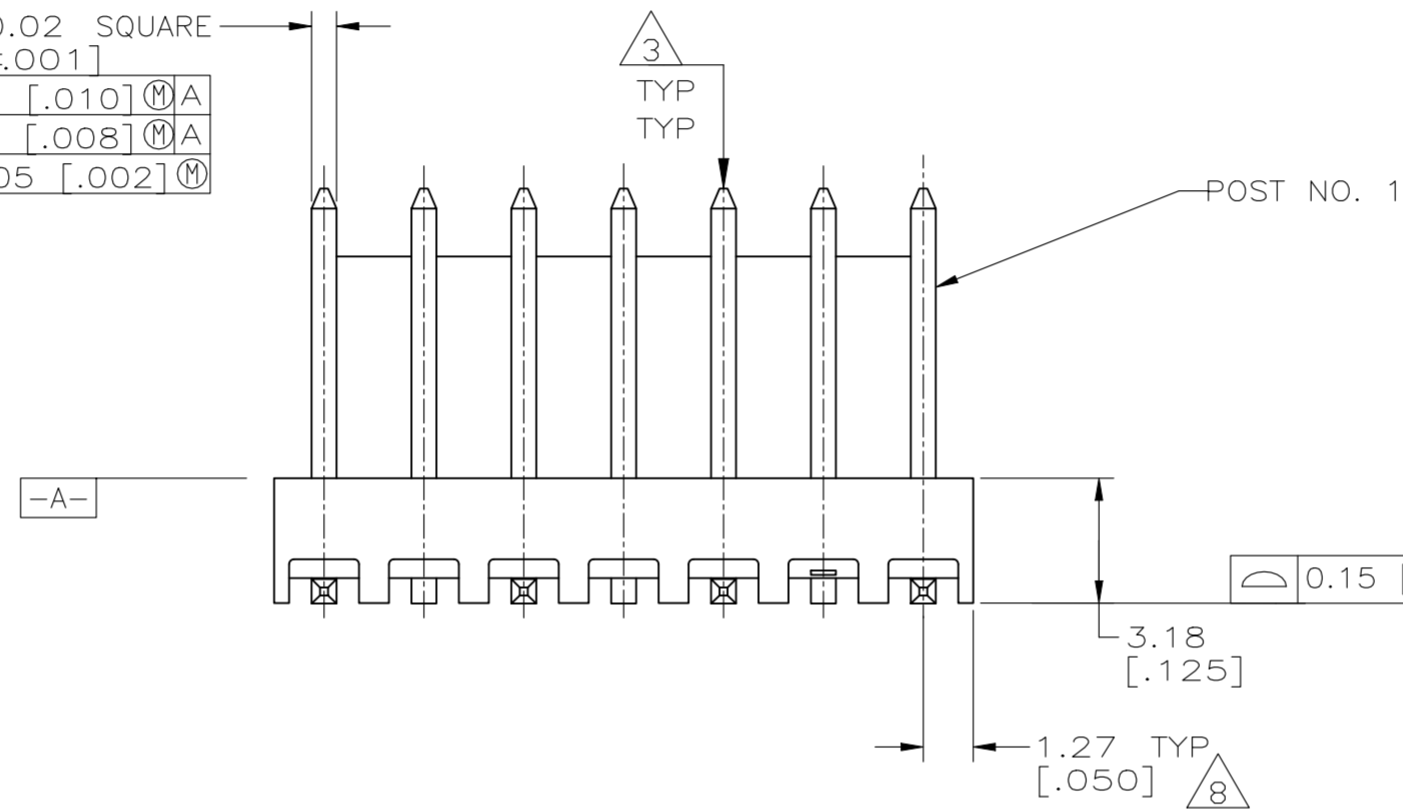
24.00 [.945]	972366-3	1706504-2	147117-5	2	3-647168-2	3-1744163-2
DIM "A"	COVER TAPE	CARRIER TAPE	PICK & PLACE CAP	NO. OF POSITIONS	HEADER ASSEMBLY	PART NO

THIS DRAWING IS A CONTROLLED DOCUMENT.		DWN jr ruth 30MAR11				
DIMENSIONS: mm [INCHES]		CHK SAM MACE 30MAR11				
TOLERANCES UNLESS OTHERWISE SPECIFIED:		APVD SAM MACE 30MAR11	NAME MTA-100 HEADER ASSY, SURFACE MOUNT, FRICTION LOCK, TAPE LOADED W/CAP			
0 PLC ± -		PRODUCT SPEC 108-1050	SIZE A2			
1 PLC ± -		APPLICATION SPEC 114-1019	CAGE CODE 00779	DRAWING NO C=1744163	RESTRICTED TO -	
2 PLC ± -		MATERIAL -	WEIGHT	SCALE 3:1	SHEET 4 of 6	REV C
3 PLC ± .015		FINISH -	CUSTOMER DRAWING			
4 PLC ± -						
ANGLES ± 1°						

REVISIONS				
P	LTR	DESCRIPTION	DATE	APVD
-	-	SEE SHEET 1	-	-



6	7	0.64±0.02 SQUARE [.025±.001]
6	7	⊥ 0.25 [.010] ⓂA
6	7	⊕ 0.2 [.008] ⓂA
6	7	- 0.05 [.002] Ⓜ



RECOMMENDED P.C. BOARD LAYOUT
 FOR USE WITH 0.25 [.010] THICK STENCIL
 SCALE 5:1

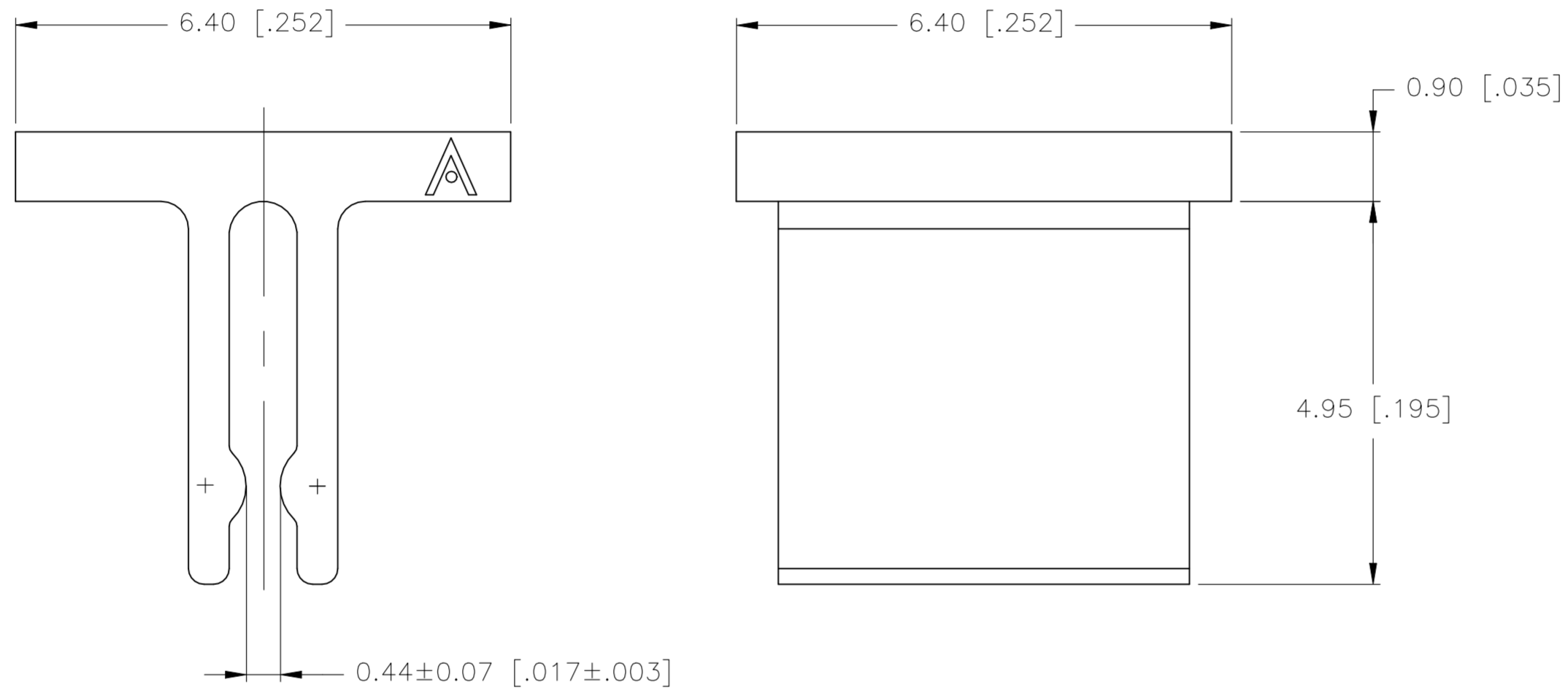
HEADER ASSEMBLY

5.08 [.200]	2	3-647168-2	3-1744163-2
17.78 [.700]	7	3-647168-7	3-1744163-7
10.16 [.400]	4	3-647168-4	3-1744163-4
7.62 [.300]	3	3-647168-3	3-1744163-3
DIM "L"	NO OF POSITION	HEADER ASSEMBLY	PART NO


THIS DRAWING IS A CONTROLLED DOCUMENT.		DWN jr ruth 30MAR11	TE Connectivity	
DIMENSIONS: mm [INCHES]		CHK SAM MACE 30MAR11		
TOLERANCES UNLESS OTHERWISE SPECIFIED:		APVD SAM MACE 30MAR11	NAME MTA-100 HEADER ASSY, SURFACE MOUNT, FRICTION LOCK, TAPE LOADED W/CAP	
0 PLC ± -		PRODUCT SPEC 108-1050	SIZE A2	
1 PLC ± -		APPLICATION SPEC 114-1019	CAGE CODE 00779	DRAWING NO C=1744163
2 PLC ± -		MATERIAL	RESTRICTED TO	
3 PLC ± .015		FINISH	SCALE 3:1	SHEET 5 of 6
4 PLC ± -			REV C	
ANGLES ± 1°				
CUSTOMER DRAWING				

THIS DRAWING IS UNPUBLISHED. RELEASED FOR PUBLICATION
 © COPYRIGHT - By ALL RIGHTS RESERVED.

REVISIONS				
P	LTR	DESCRIPTION	DATE	APVD
-	-	SEE SHEET 1	-	-



CAP FOR HEADER

THIS DRAWING IS A CONTROLLED DOCUMENT.		DWN jr ruth 30MAR11	 TE Connectivity	
DIMENSIONS: mm [INCHES]		CHK SAM MACE 30MAR11		
TOLERANCES UNLESS OTHERWISE SPECIFIED:		APVD SAM MACE 30MAR11	NAME MTA-100 HEADER ASSY, SURFACE MOUNT, FRICTION LOCK, TAPE LOADED W/CAP	
0 PLC ± - 1 PLC ± - 2 PLC ± 0.40[0.015] 3 PLC ± - 4 PLC ± - ANGLES ± 1°		PRODUCT SPEC 108-1050	RESTRICTED TO -	
MATERIAL -		FINISH -	WEIGHT -	SCALE 3:1
			SIZE A2	CAGE CODE 00779
			DRAWING NO C=1744163	REV C
			SHEET 6 OF 6	
			CUSTOMER DRAWING	