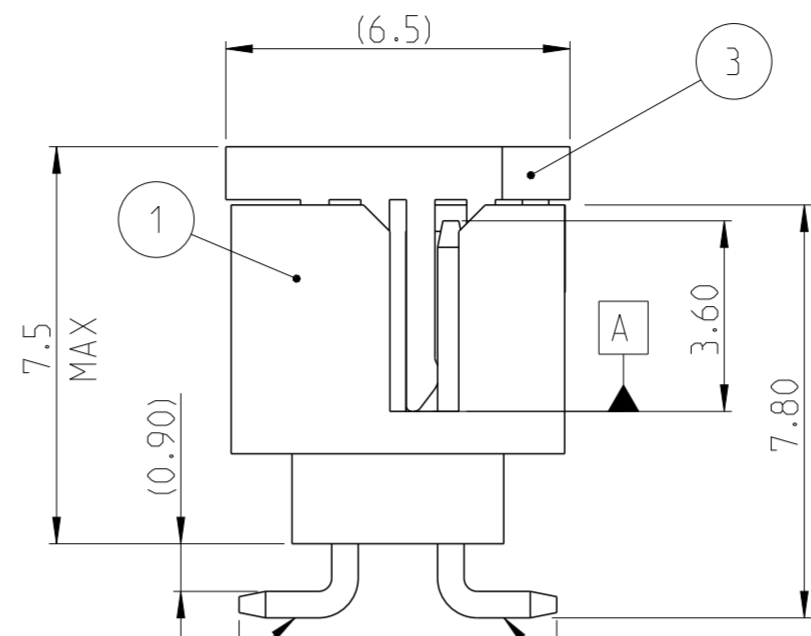
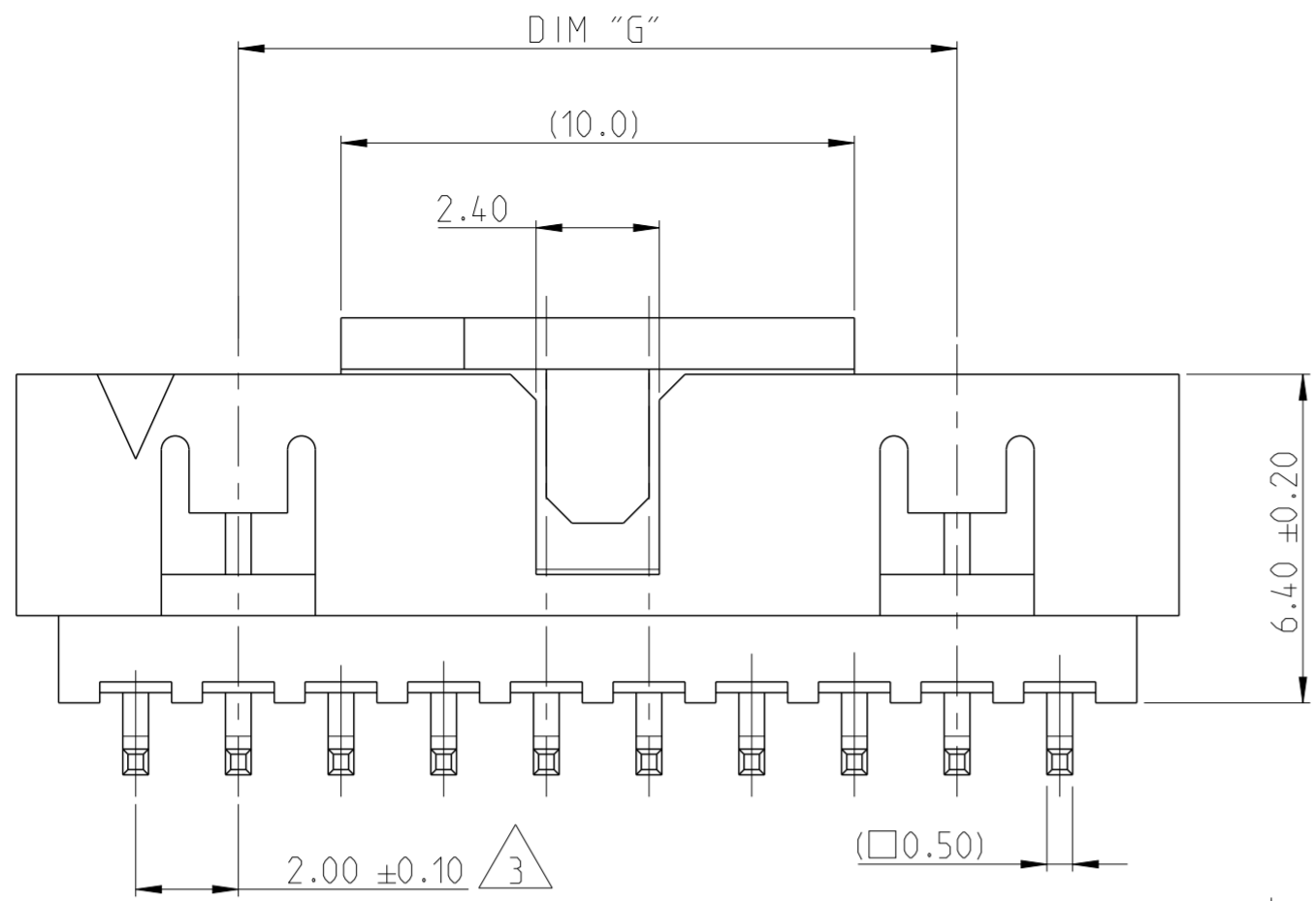


P	LTR	DESCRIPTION	DATE	DWN	APVD
A		RELEASE TO PRODUCTION	09DEC2019	AY	PS
A1		DIMENSION F REMOVED FROM PCB LAYOUT	11JUN2020	AY	PS

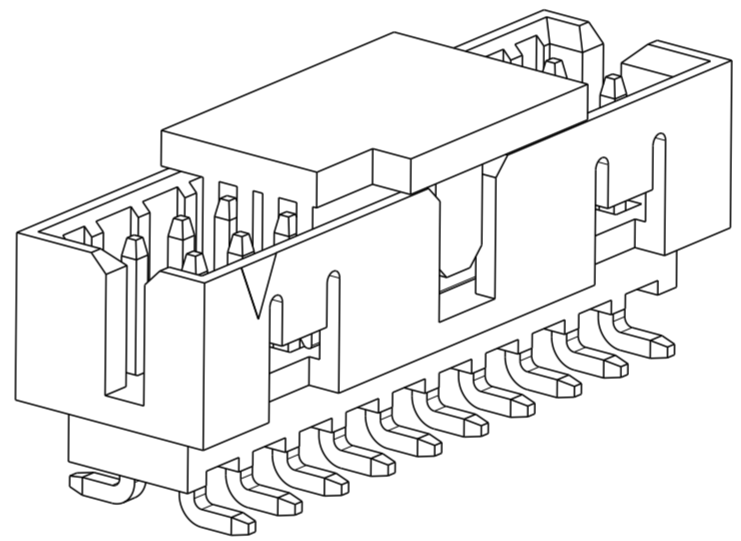
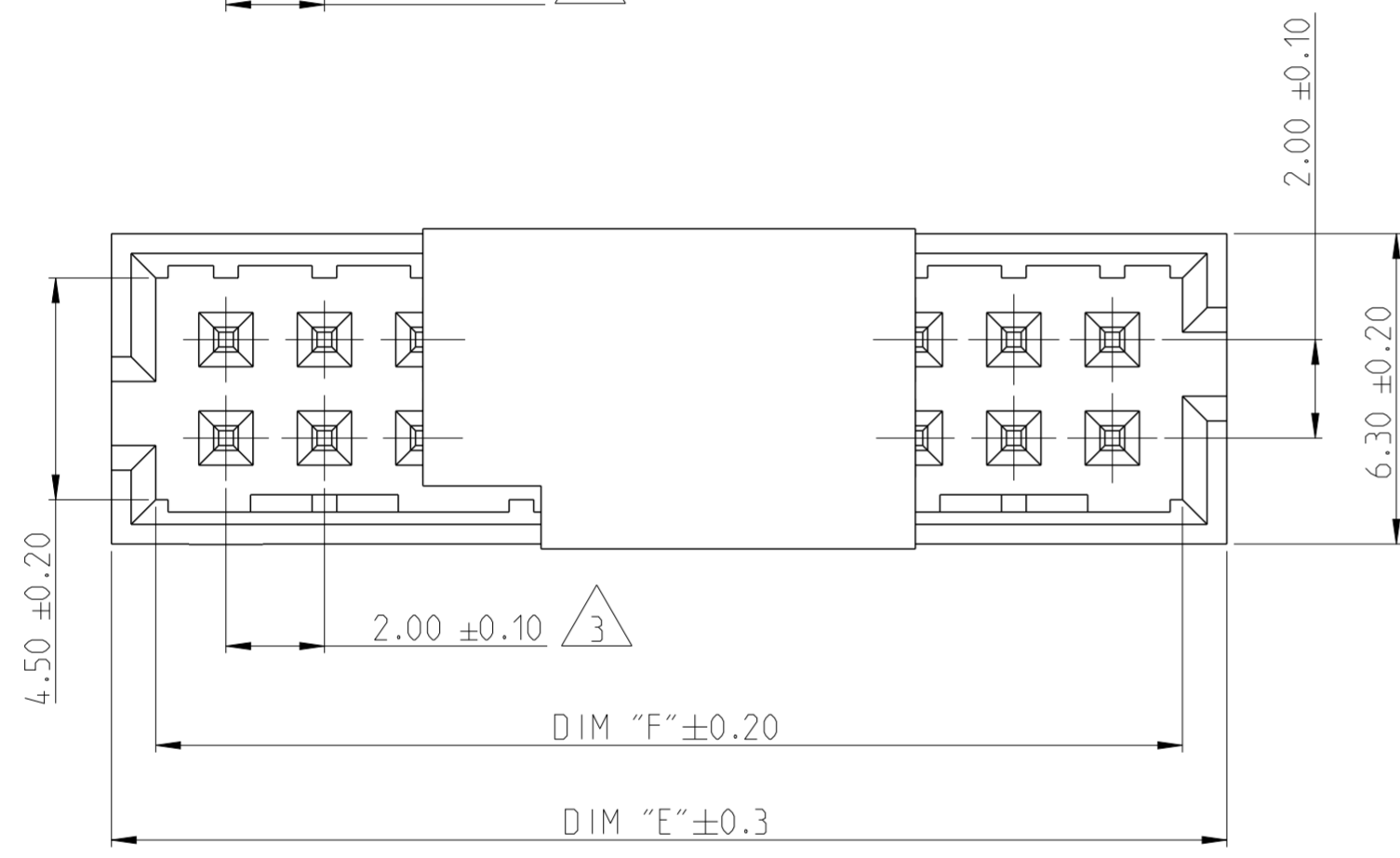


NOTES:

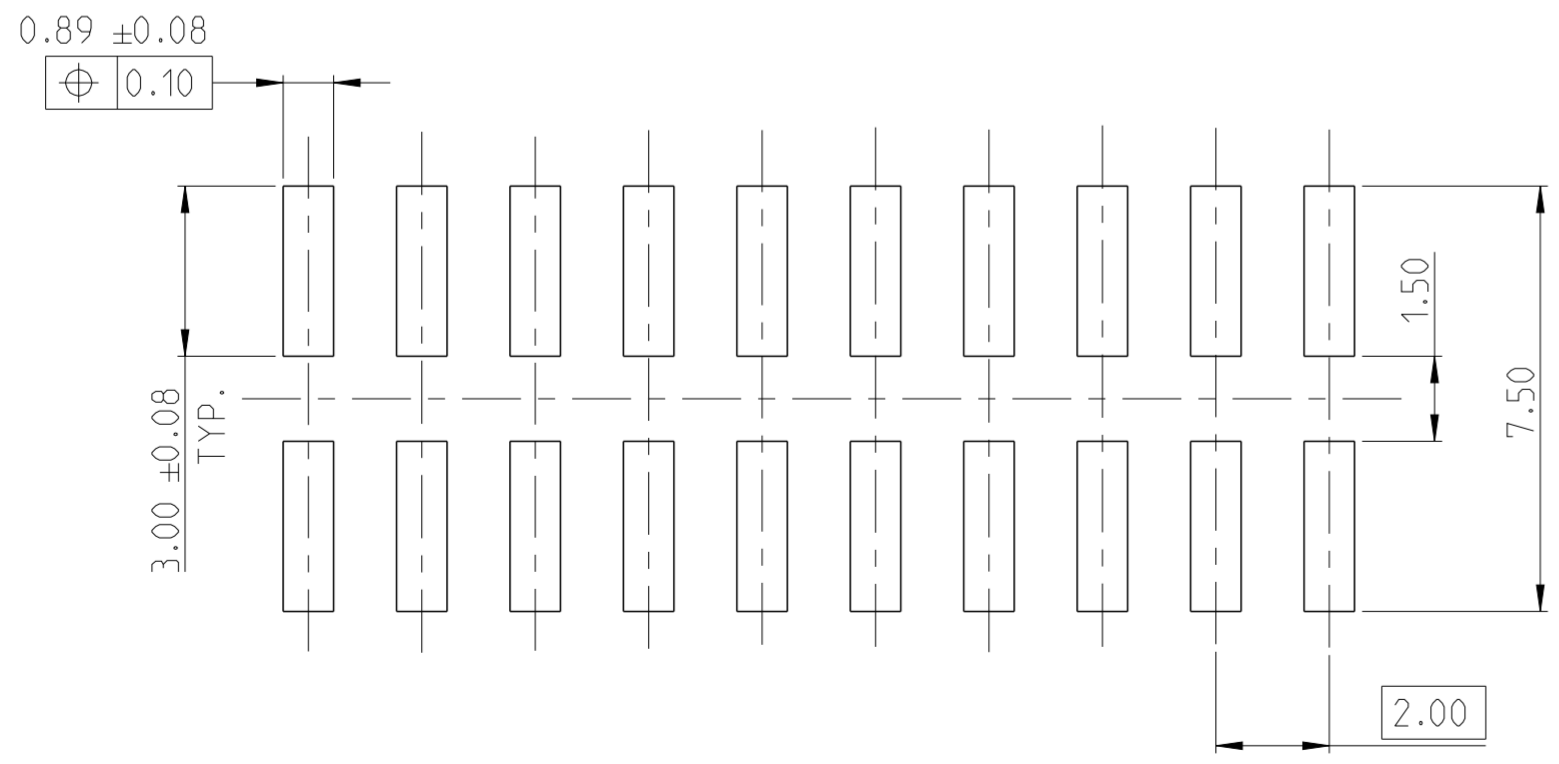
- MATERIAL
HOUSING & P&P CAP : HIGH TEMPERATURE THERMOPLASTIC, UL94-V0; COLOR- BLACK
CONTACT PIN : COPPER ALLOY
FINISH :
MATING SIDE: MIN. 0.76 µm GOLD OVER NICKEL UNDER PLATING.
SOLDER SIDE: MIN. 2.0 µm TIN OVER NICKEL UNDER PLATING.
 - PACKAGING: TAPE AND REEL (WITH PICK AND PLACE CAP)
- △ TOLERANCE NOT CUMULATIVE.

0.10	A	14-26 POS
0.15	A	30-50 POS

ALL CONTACTS



2-2842242-0 AS SHOWN



POS.	DIM "E"	DIM "F"	DIM "G"	TE PN.
44	50.85	52.65	50	5-2842242-0
38	44.85	46.65	44	4-2842242-4
34	40.85	42.65	40	4-2842242-0
28	34.85	36.65	34	3-2842242-4
24	30.85	32.65	30	3-2842242-0
20	26.85	28.65	26	2-2842242-6
18	24.85	26.65	24	2-2842242-4
14	20.85	22.65	20	2-2842242-0
10	16.85	18.65	16	1-2842242-6
8	14.85	16.65	14	1-2842242-4

THIS DRAWING IS A CONTROLLED DOCUMENT.		DWN	12NOV2019
		CHK	25NOV2019
		APVD	27NOV2019
		NAME	ANKIT YADAV
		NAME	KARTHIK JK
		NAME	PRASHANTH S.
DIMENSIONS: mm		PRODUCT SPEC	108-64040
TOLERANCES UNLESS OTHERWISE SPECIFIED:		APPLICATION SPEC	114-32259
0 PLC	±	WEIGHT	-
1 PLC	±	CUSTOMER DRAWING	
2 PLC	±0.25	SCALE	5:1
3 PLC	±	SHEET	1 OF 1
4 PLC	±	REV	A1
ANGLES	±2°		
FINISH	-		

PICK AND PLACE CAP	3
CONTACT PIN	2
HOUSING	1
DESCRIPTION	ITEM NO.

STE TE Connectivity

NAME: AMPMODU 2mm, SHROUDED HEADER, DUAL ROW, VERTICAL SMD, 0.76 Au, T/R WITH PICK AND PLACE CAP

SIZE: A2 CAGE CODE: 00779 DRAWING NO: C-2842242 RESTRICTED TO: -