

| REVISONS | | DATE | OWN | APVD |
|----------|---------------|---------------|-----------|------|
| B2 | REVISED | ECR-14-010392 | 01JUL14 | RK |
| B3 | REVISED | ECR-14-015327 | 25SEP14 | RK |
| B4 | REVISED | ECR-19-002930 | 01MAR2019 | DM |
| B5 | ECR-20-001927 | | 11FEB2020 | VI |

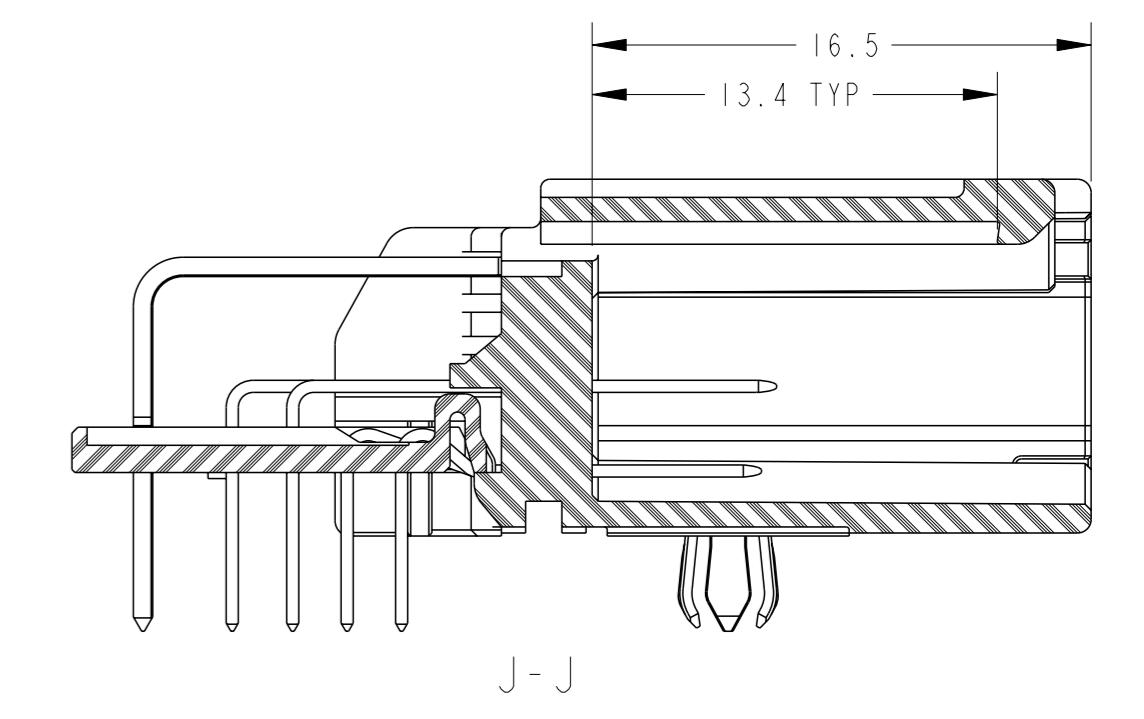
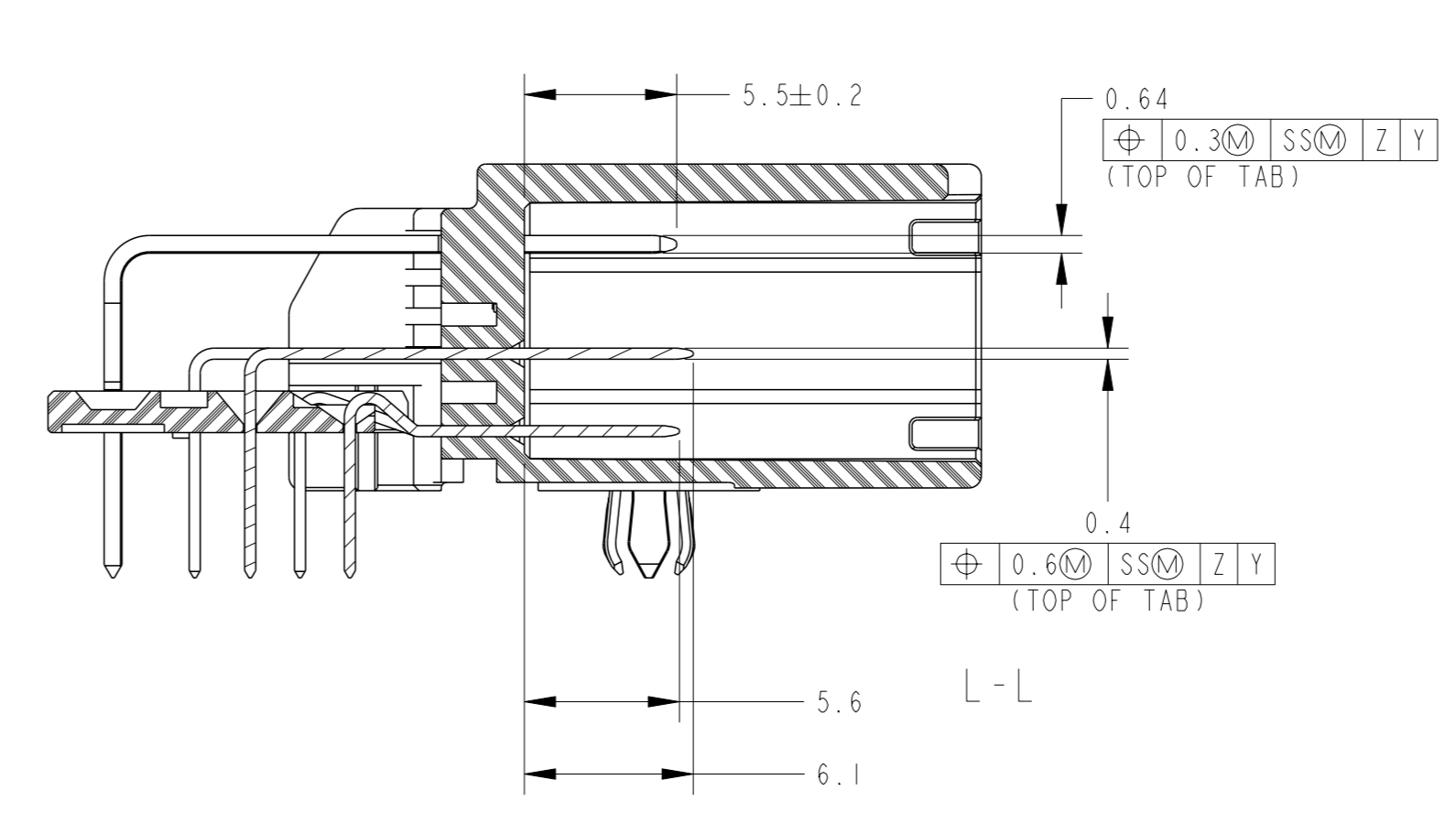
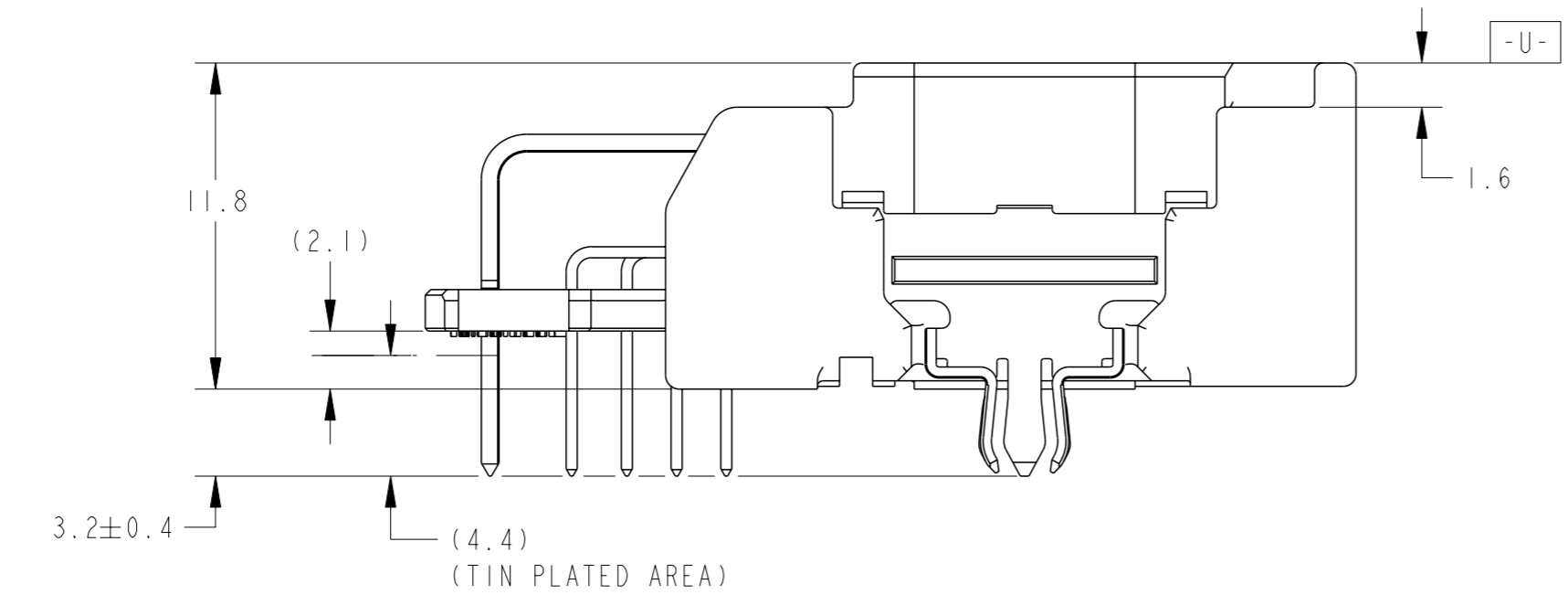
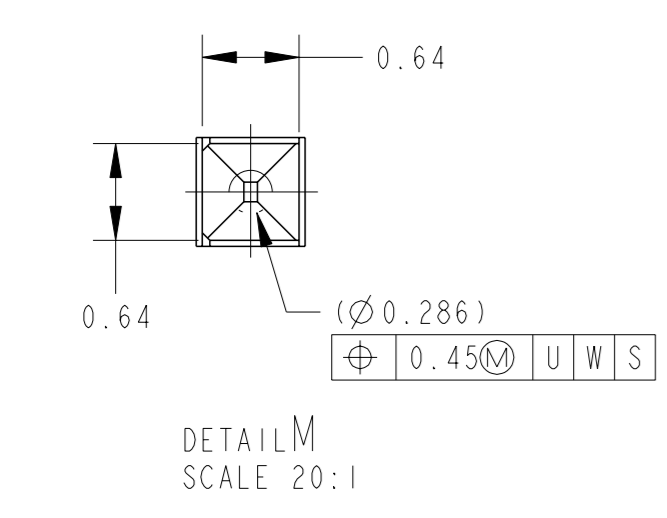
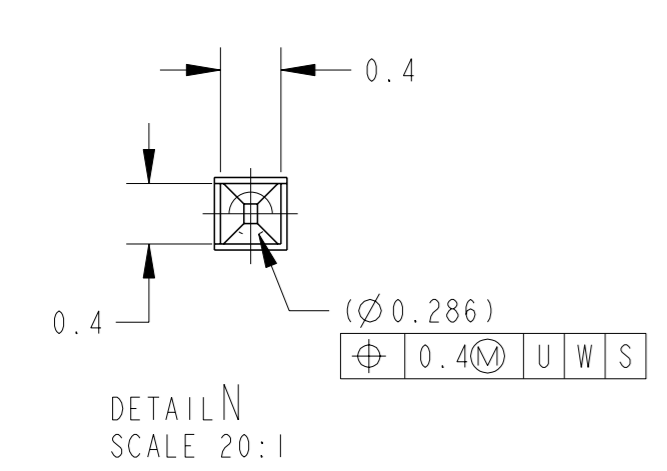
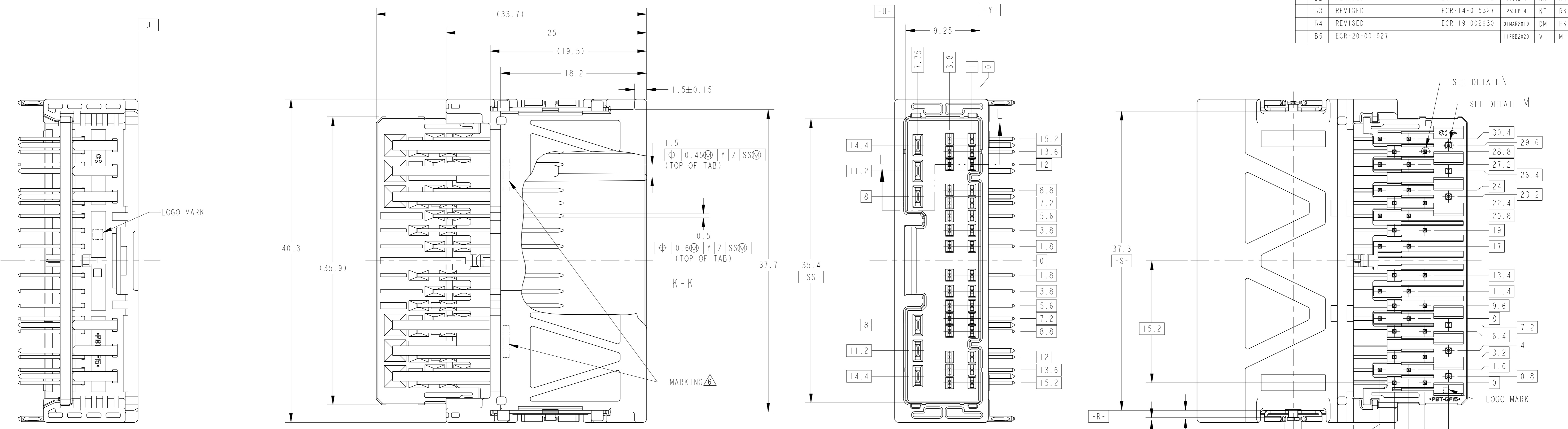


TABLE-1

| POS 極数 | FEMALE HOUSING メスハウジング | | |
|-----------|---------------------------|----------------|------------------------|
| | ASSY P/N 代表品番 | COLOR 色相 | COMPONENT P/N 構成部品番 |
| 38 | 1903882-1 | NATURAL 自然色 | 1903882-1 |
| | | | 1903883-1 |
| | | | 1903886-4 |

TABLE-2

| | |
|---------------------------------------|------|
| プリント基板厚 (mm) THICKNESS OF PCB (mm) | 1.6 |
| 材 質 MATERIAL | FR-4 |

1. 嵌合相手コネクタ品番: TABLE-1参照
 2. 適用プリント基板: TABLE-2参照
 3. 回路番号: FIG.1参照
 4. メスコネクタが積層タイプであるため、ペア電線 (CAN, ツイスト, 通信, シールド等) はグループ "A, B, C" をまたがないこと FIG.2参照
 5. 取扱説明書 No.: 411-78268, 411-78268-1
 6. マーキングを表示 (ID, D/C)
 7. 推奨プリント基板: FIG.3参照
 8. CHFUS 0.5sq 電線および CAN (CPEX 0.22sq)
 9. 電線対応位置: FIG.1参照
1. MATING CONNECTOR PART No.: SEE TABLE-1
 2. APPLICABLE PRINTED CIRCUIT BOARD: SEE TABLE-2
 3. CIRCUIT No.: SEE FIG.1
 HOUSING, CONNECTOR FEMALE IS LAYERED.
 WHEN USE THE PAIR WIRE (EX. CAN, TWIST, COMMUNICATION, SHIELD ETC.), IT SHALL NOT CROSS THE ROWS OF CONNECTOR WHICH ARE GROUP A~C.
 SEE FIG.2
 5. INSTRUCTION SHEET: 411-78268, 411-78268-1
 6. MARKING (ID, D/C)
 7. RECOMMENDED PCB: SEE FIG.3
 8. APPLICABLE CIRCUIT FOR "CHFUS 0.5sq WIRE" AND "CAN (CPEX 0.22sq) WIRE": SEE FIG.1

SEE CUSTOMER DRAWING 1903876-7

| PACKING STYLE 梱包形態 | INNER 内装 | SOLDERING SIDE はんだ付け側 | CONTACT SIDE 嵌合側 | TOTAL POSITION 極数 | MATERIAL / COLOR 材料 / 色相 | PART NO | | |
|-----------------------|----------------------------|-------------------------------------|---|-----------------------------------|-----------------------------|---------------------------|---------------------------|-----------|
| PAPER BOX ダンボール箱 | PLASTIC TUBE プラスチックチューブ | SELECTIVE-TIN (MATTE) 部分半光沢すずめっき | SELECTIVE-TIN (BRIGHT) 部分光沢すずめっき | 37P (CIRCUIT NO.: 1~10, 12~38) | BRASS 黄銅 | PBT-GF15/NATURAL (自然色) | PBT-GF15/NATURAL (自然色) | 1903876-7 |
| PLASTIC BOX 通い箱 | PLASTIC TUBE プラスチックチューブ | SELECTIVE-TIN (MATTE) 部分半光沢すずめっき | SELECTIVE-GOLD (MATTE) 金めっき SELECTIVE-TIN (BRIGHT) 部分光沢すずめっき (CIRCUIT No.1~26, 36~38) | 38P | BRASS 黄銅 | PBT-GF15/NATURAL (自然色) | PBT-GF15/NATURAL (自然色) | 1903876-5 |
| PAPER BOX ダンボール箱 | PLASTIC TUBE プラスチックチューブ | SELECTIVE-TIN (MATTE) 部分半光沢すずめっき | SELECTIVE-TIN (BRIGHT) 部分光沢すずめっき | 38P | BRASS 黄銅 | PBT-GF15/NATURAL (自然色) | PBT-GF15/NATURAL (自然色) | 1903876-2 |
| PLASTIC BOX 通い箱 | PLASTIC TUBE プラスチックチューブ | SELECTIVE-TIN (MATTE) 部分半光沢すずめっき | SELECTIVE-TIN (BRIGHT) 部分光沢すずめっき | 38P | BRASS 黄銅 | PBT-GF15/NATURAL (自然色) | PBT-GF15/NATURAL (自然色) | 1903876-1 |
| OUTER 外装 | INNER 内装 | SOLDERING SIDE はんだ付け側 | CONTACT SIDE 嵌合側 | TOTAL POSITION 極数 | CONTACT コンタクト | TINE PLATE タインプレート | CAP HOUSING ハウジング | PART NO |

THIS DRAWING IS A CONTROLLED DOCUMENT.

| | | | |
|-----------------------|--|---|-------------------------------|
| DIMENSIONS: mm | TOLERANCES UNLESS OTHERWISE SPECIFIED: ±0.3 | OWN K. KATO CHK S. AMEMIYA APVD H. YAMAGAMI PRODUCT SPEC | 26MAR08 26MAR08 26MAR08 |
| MATERIAL SEE TABLE | FINISH SEE TABLE | NAME 0.5/1.5 HYBRID CONNECTOR DIP TYPE 38 POSITION CAP ASSEMBLY (BOARD LOCK-TYPE) | SIZE A1 |
| CUSTOMER DRAWING | | SCALE 4:1 | SHEET 1 of 2 |

TE Connectivity
 1903876-7
 00779 ©=1903876
 RESTRICTED TO

| LOC | | REVISIT | | REVISIONS | | | |
|-----|-----|-------------|------|-----------|------|--|--|
| P | LYR | DESCRIPTION | DATE | OWN | APVD | | |
| - | - | SEE SHEET 1 | - | - | - | | |

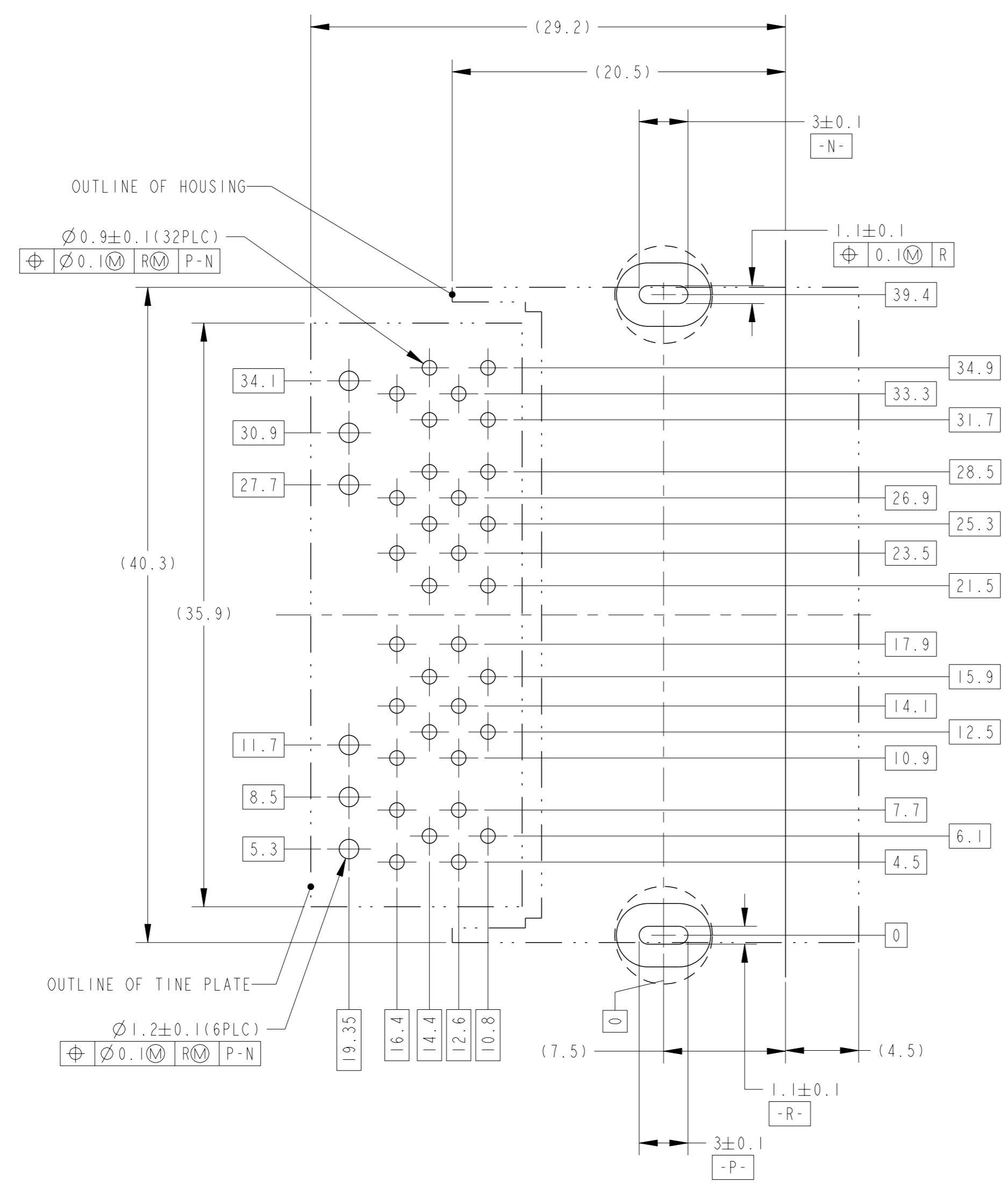


FIG. 3
 推奨プリント基板取付寸法図
 RECOMMEND DIMENSION FOR P.C.B.

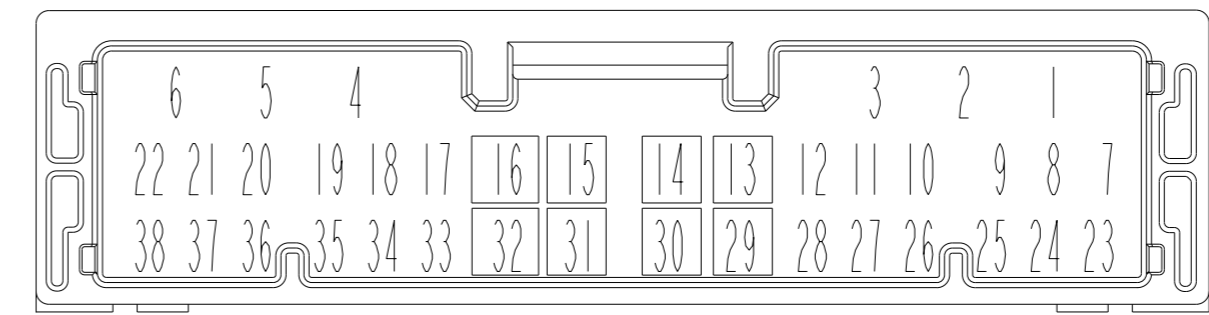
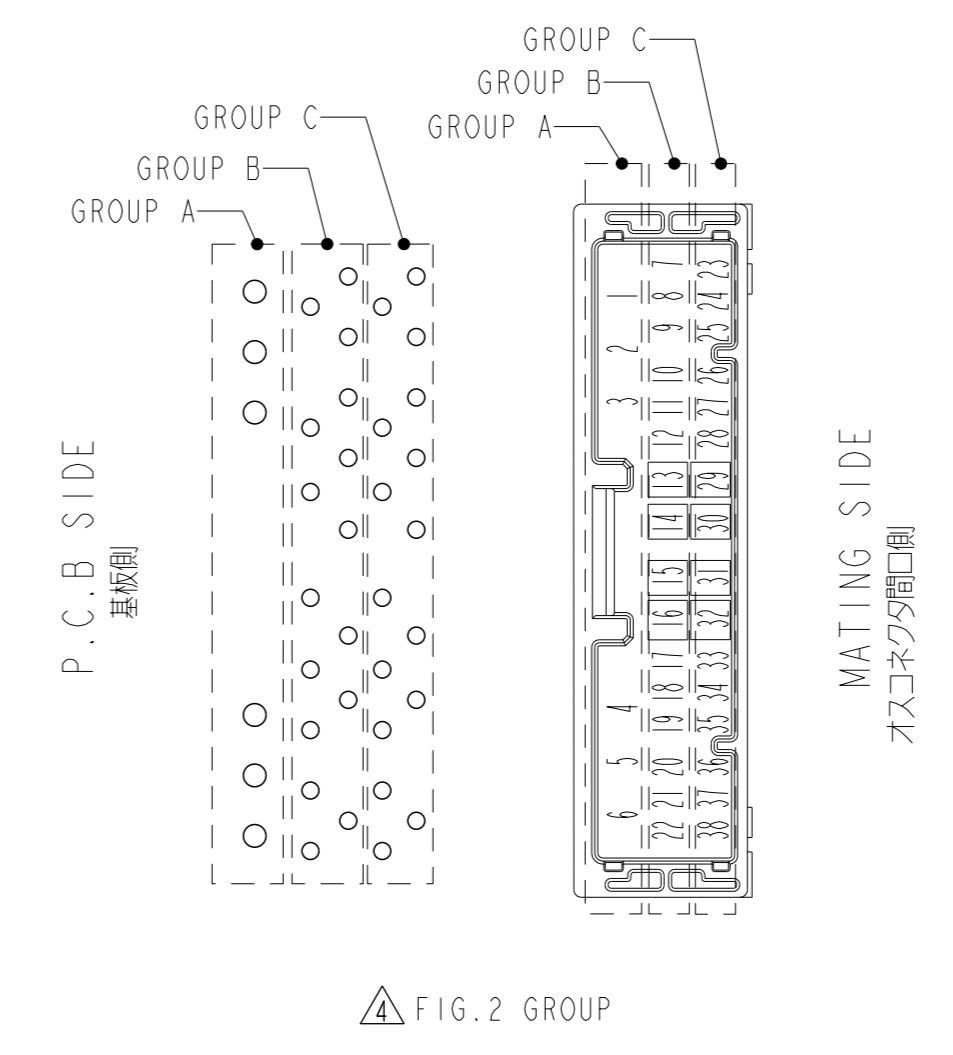


FIG. 1 CIRCUIT NUMBERS/回路番号
 (□:CHFUS0.5sq AND CAN 0.22sq APPL.)

| | | | | |
|--|--|------------------------|---------|---|
| THIS DRAWING IS A CONTROLLED DOCUMENT. | | OWN K. KATO | 26MAR08 | STE TE Connectivity |
| DIMENSIONS: mm | | CHK S. AMEMIYA | 26MAR08 | |
| TOLERANCES UNLESS OTHERWISE SPECIFIED: ±0.3 | | APVD H. YAMAGAMI | 26MAR08 | NAME 0.5/1.5 HYBRID CONNECTOR DIP TYPE 38 POSITION CAP ASSEMBLY (BOARD LOCK-TYPE) |
| MATERIAL SEE TABLE | | FINISH SEE TABLE | | SIZE A1 |
| WEIGHT | | CUSTOMER DRAWING | | SCALE 4:1 |
| REVISIONS | | DRAWING NO. 00779 | | SHEET 2 OF 2 |
| APPROVAL | | DRAWING NO. 1903876 | | REV B5 |