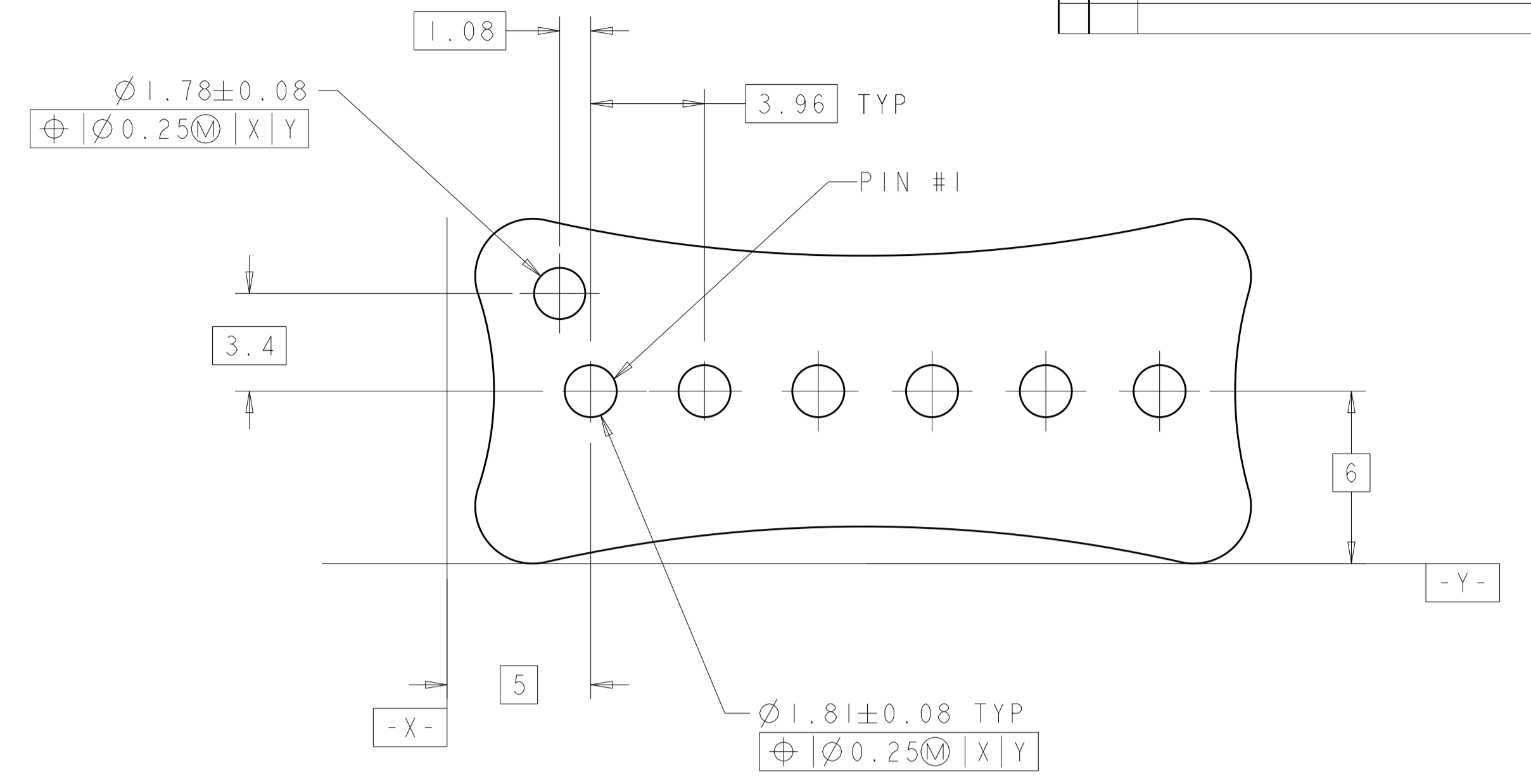
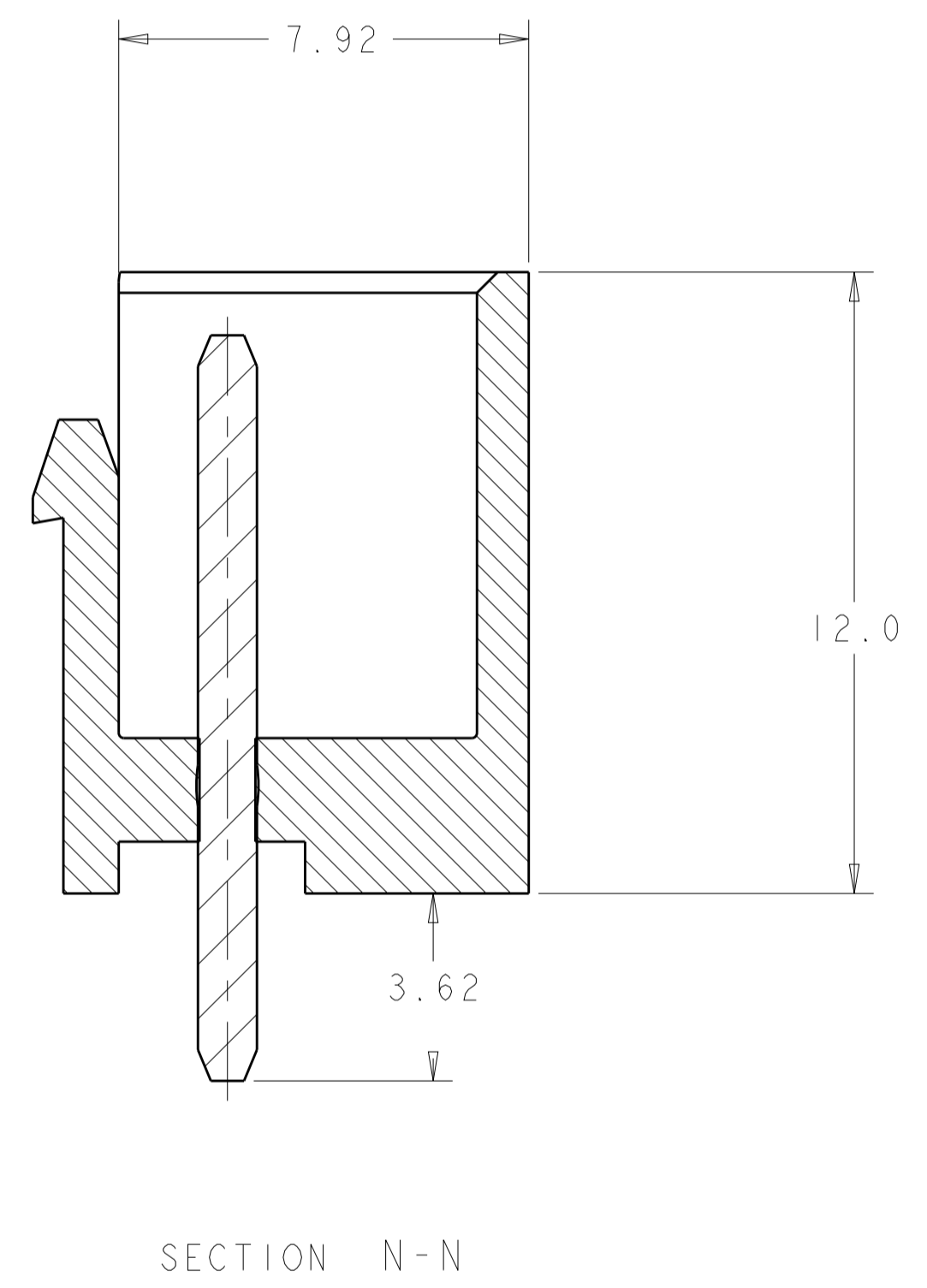
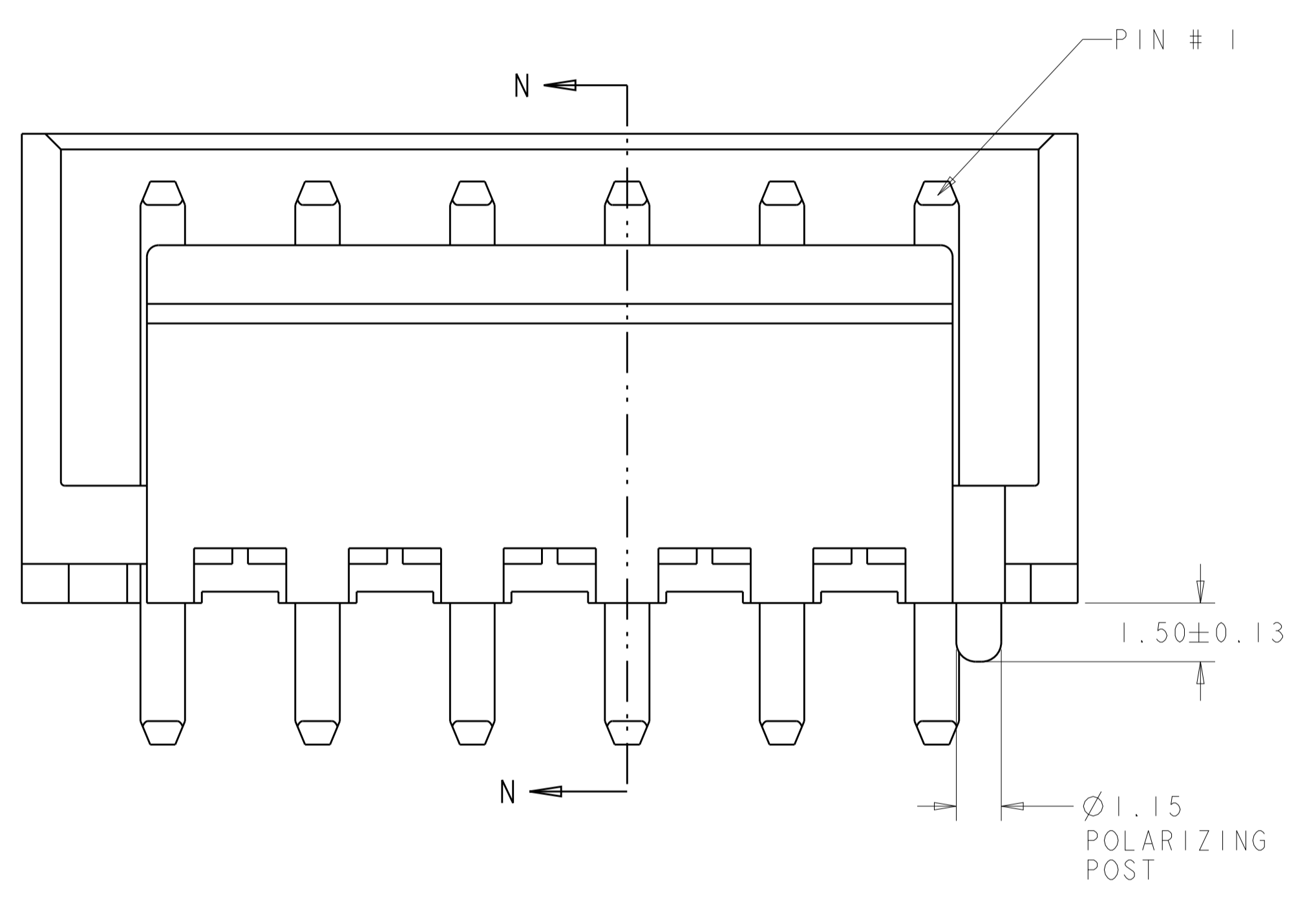
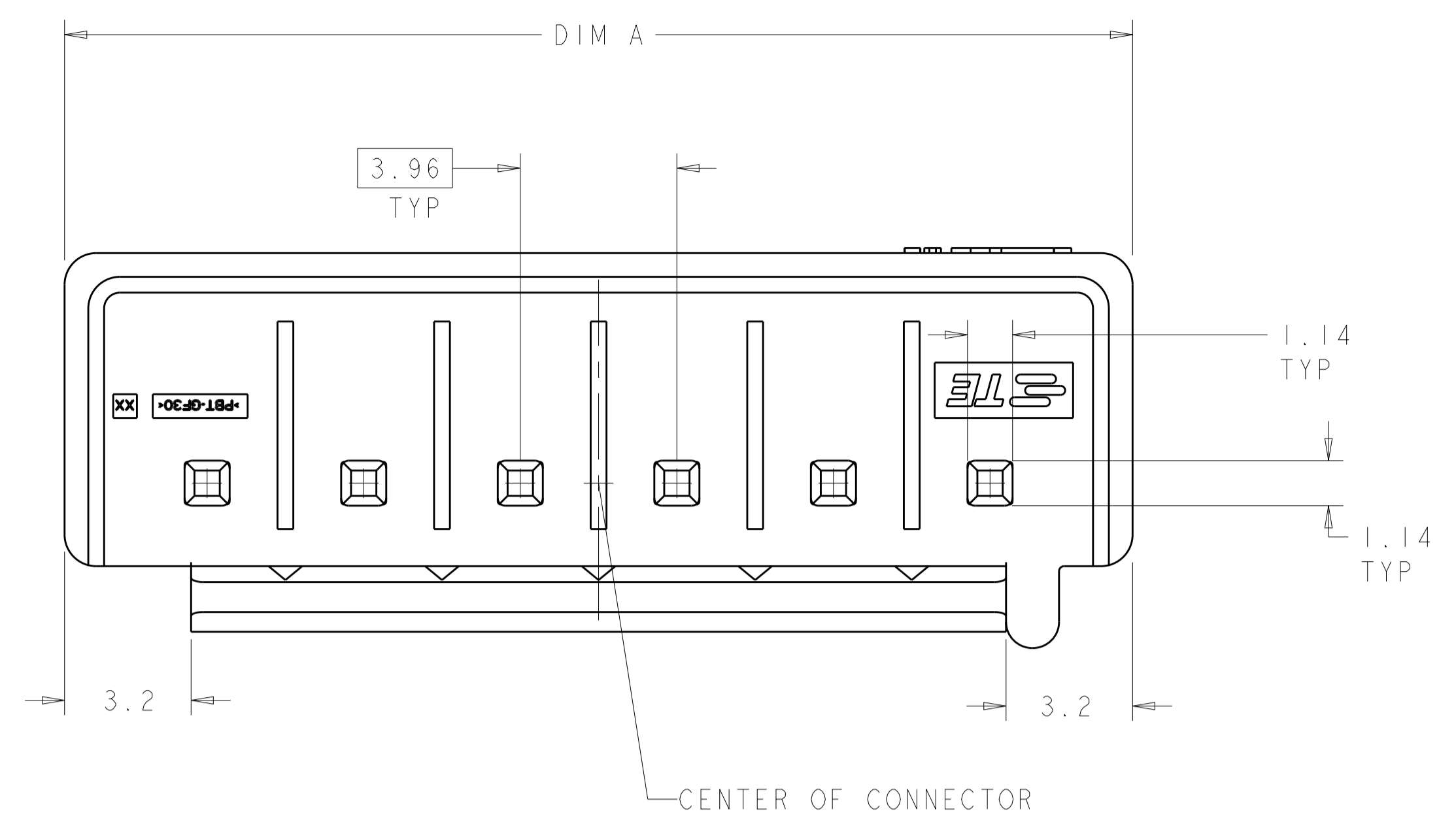
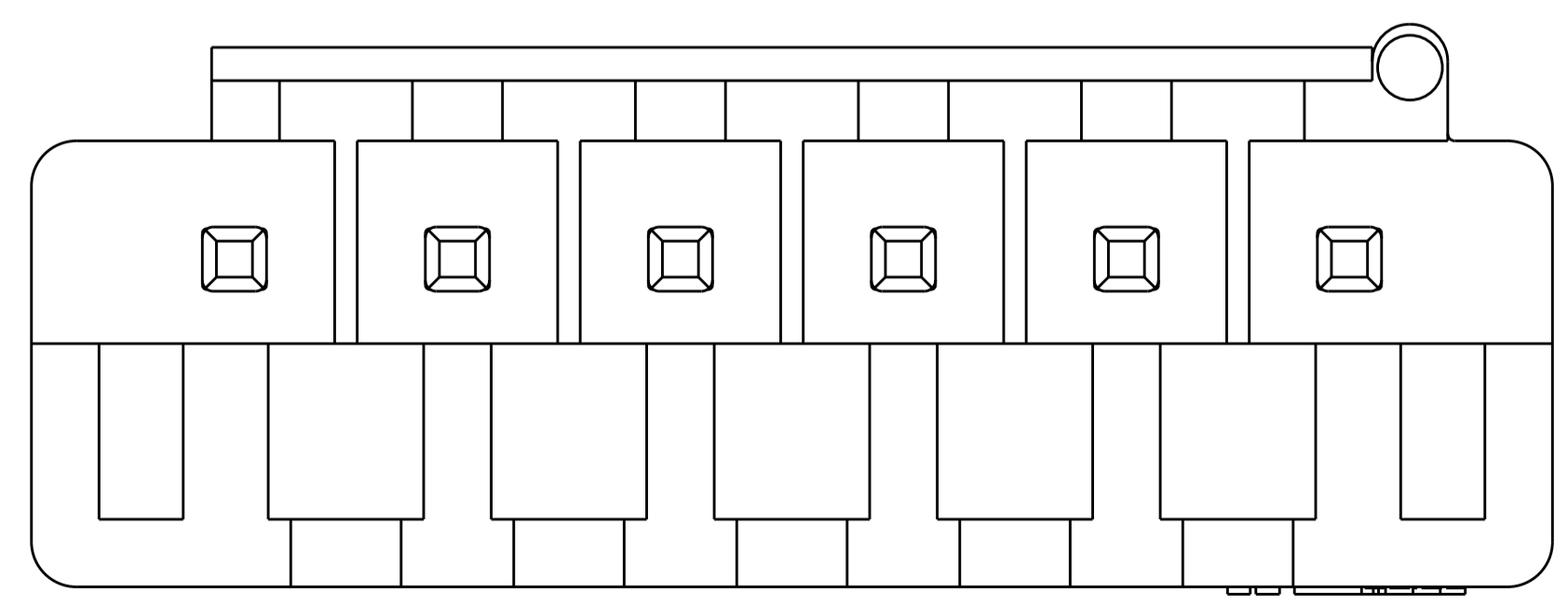


LOC		DIST		REVISONS			
GP	00	P	LTN	DESCRIPTION	DATE	DWN	APVD
	A			REVISED PER ECR-14-002687	07MAR2014	NK	TM
	A2			REVISED PER ECR-17-009950	28JUL2017	JZ	DZ



- ⚠ MATERIAL: HOUSING; PBT GLASS FILLED UL94V-0 COLOR BLUE
 PIN; BRASS
- ⚠ FINISH: PIN, TIN PLATED OVER NICKEL UNDERPLATED.

8	38.89	9	1-1744486-9
-	50.77	12	1-1744486-2
-	46.81	11	1-1744486-1
-	42.85	10	1-1744486-0
-	38.89	9	1744486-9
-	34.93	8	1744486-8
-	30.97	7	1744486-7
-	27.01	6	1744486-6
-	23.05	5	1744486-5
-	19.09	4	1744486-4
-	15.13	3	1744486-3
-	11.17	2	1744486-2
OMIT PIN#	DIM A	POS	ASSEMBLY PART NO.



THIS DRAWING IS A CONTROLLED DOCUMENT.

APVD: MACE SAM 11AUG2012
 CHK: MACE SAM 11AUG2012
 DWN: RIRAN HOLAL 11AUG2012

STE TE Connectivity

NAME: SHROUDED HEADER ASSEMBLY, SINGLE LATCH, 3.96mm PITCH, ECONOMY POWER (EP), BLUE

PRODUCT SPEC: 108-5609
 APPLICATION SPEC: 114-32134

SIZE: A1
 CAGE CODE: 00779
 DRAWING NO: 1744486

Customer Drawing SCALE: N/A SHEET: 1 OF 1 REV: A2